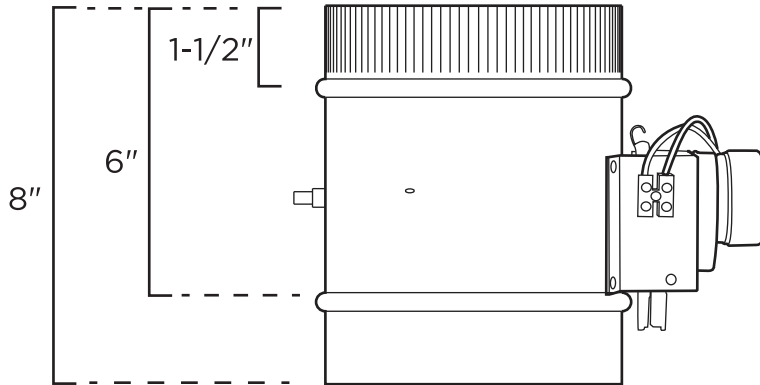
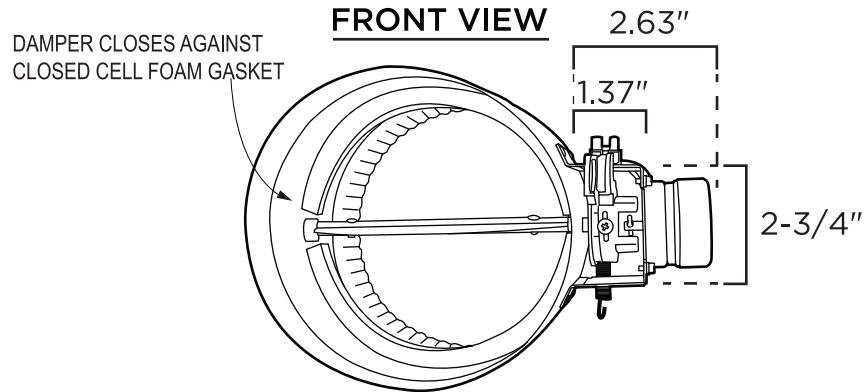




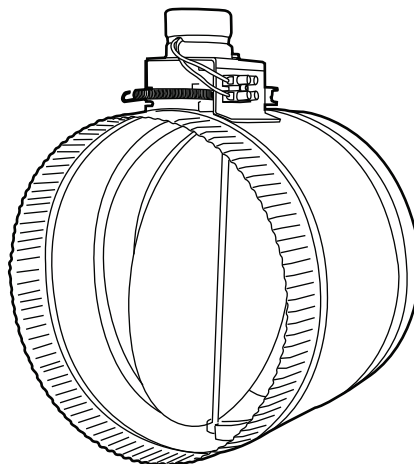
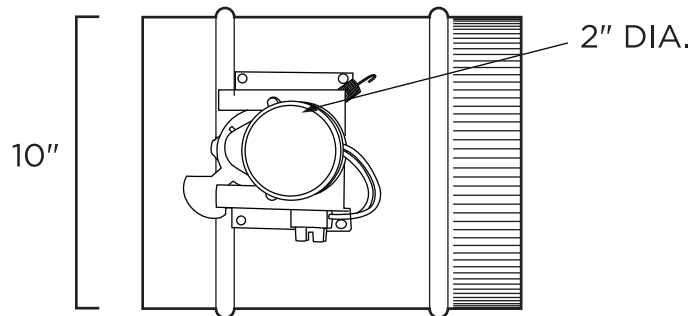
**TOP VIEW**



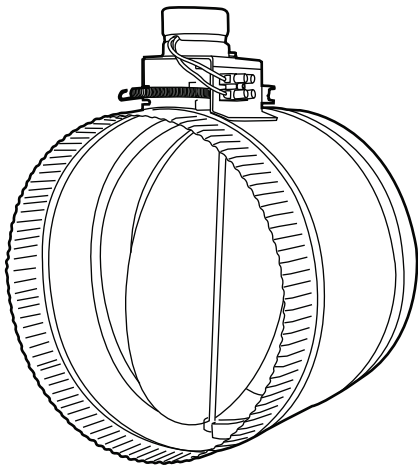
**FRONT VIEW**



**SIDE VIEW**



**MODEL: ZO210**



**Model: ZO210**

**10" ZoneMaster™ Motorized Damper - Open Adjustable Damper**

**6 Running Watts, 0.25 Amps, 24 VAC, 60 Hz**

**UL® Listed Transformer:**

**Input:120 VAC, 60 Hz**

**Output: 24 VAC, 60 Hz, 20 VA**

**3 Year Limited Warranty**

**10" Diameter**

**Made in the USA**

**Primary UOM: EA**

**Shipping Multiple: 2**

**PERFORMANCE:**

Watts	Amps	Volts	Hz	Unit Weight
6	.25	24	60	4.1lbs

**HAZARDOUS MATERIAL INFO:**

Not Applicable

**CUSTOMS TARIFF CLASSIFICATION:**

HS Code	Country of Origin	NAFTA Preference Criterion	NAFTA Producer Index
8414901000	USA	B	Y

**PACKAGING METRICS:**

	UPC / SCC	WIDTH (in)	HEIGHT (in)	DEPTH (in)	WEIGHT (lbs)
Unit (1qty):	066028021106	12.25	9.00	10.25	5.75
Master Case (2qty):	40066028021104	19.25	13.25	12.75	13.00

**MODEL: ZO210**