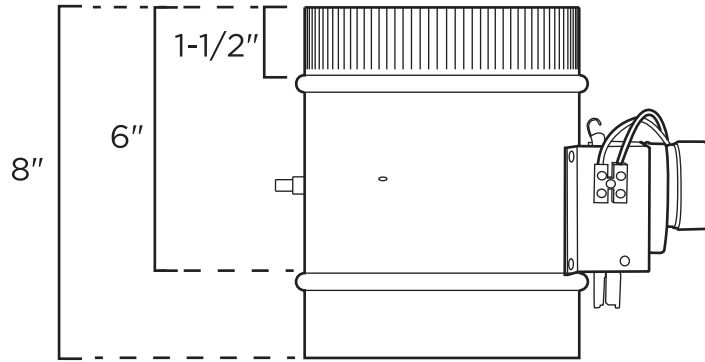
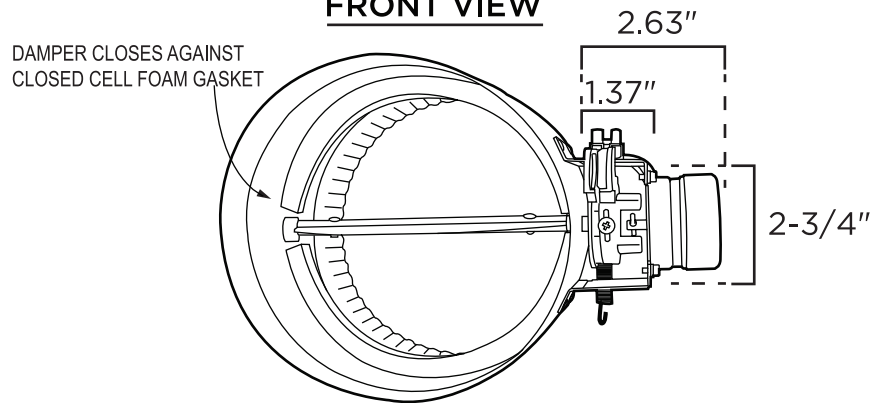




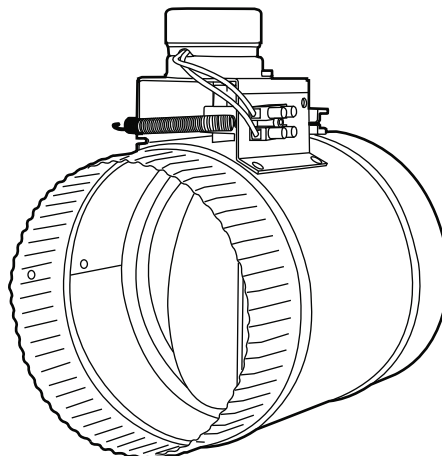
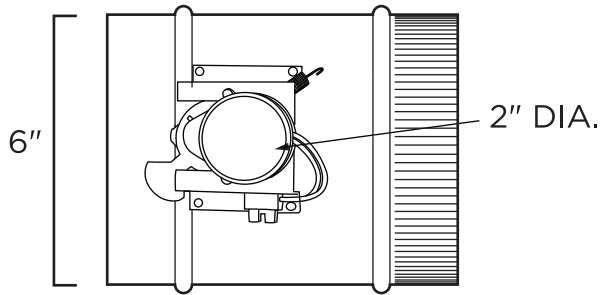
TOP VIEW



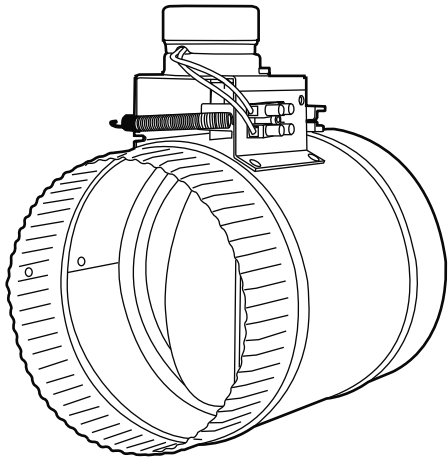
FRONT VIEW



SIDE VIEW



MODEL: ZO206



Model: ZO206

6" ZoneMaster™ Motorized Damper - Open Adjustable Damper

6 Running Watts, 0.25 Amps, 24 VAC, 60 Hz

UL® Listed Transformer:

Input:120 VAC, 60 Hz

Output: 24 VAC, 60 Hz, 15 VA

3 Year Limited Warranty

6" Diameter

Made in the USA

Primary UOM: EA

Shipping Multiple: 4

PERFORMANCE:

Watts	Amps	Volts	Hz	Unit Weight
6	.25	24	60	2.30lbs

HAZARDOUS MATERIAL INFO:

Not Applicable

CUSTOMS TARIFF CLASSIFICATION:

HS Code	Country of Origin	NAFTA Preference Criterion	NAFTA Producer Index
8414901000	USA	B	Y

PACKAGING METRICS:

	UPC / SCC	WIDTH (in)	HEIGHT (in)	DEPTH (in)	WEIGHT (lbs)
Unit (1qty):	066028021069	8.25	10.50	8.25	3.75
Master Case (4qty):	40066028021067	16.75	11.25	116.75	16.50

MODEL: ZO206