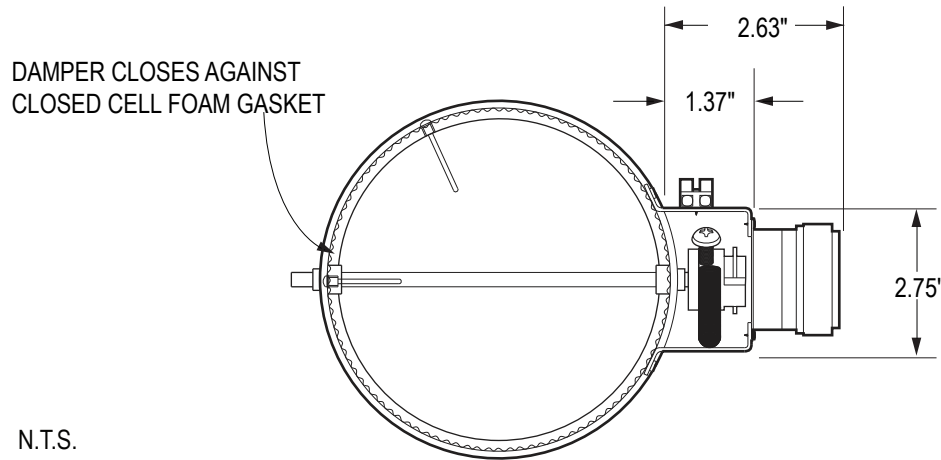
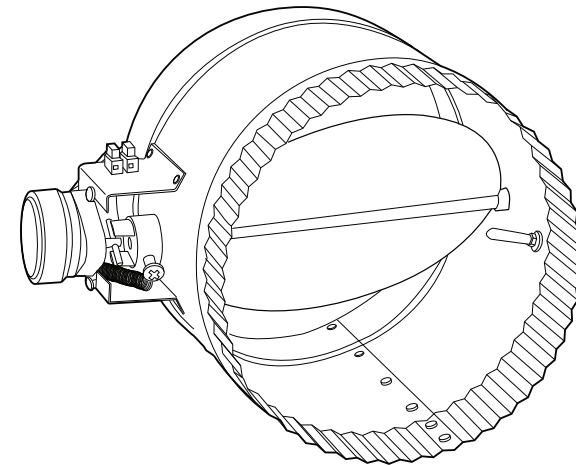
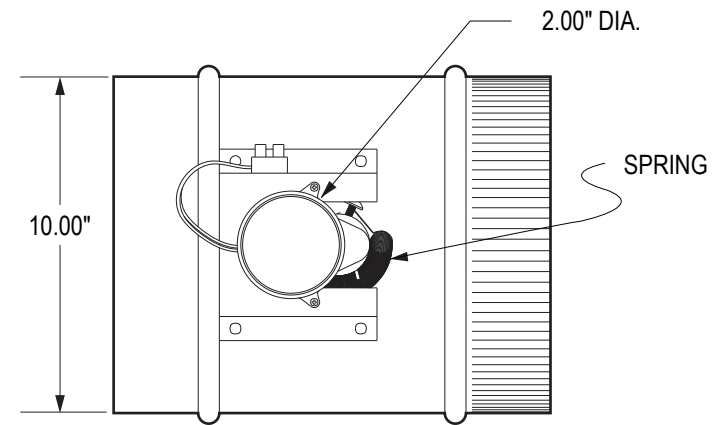


TOP VIEW



FRONT VIEW



SIDE VIEW

N.T.S.



ZONEMASTER™ ZONE CONTROL DAMPER

MODEL ZO110

Control Airflow To Individual Rooms

UNIT WEIGHT: 4.10 LBS. • AMPS: 0.25 • VAC: 24 • HZ: 60 • WATTS: 6 • GAUGE: 22
 HYSTERESIS GEAR MOTOR • 3 YEAR LIMITED WARRANTY
 FREE WHEELING COUPLING BETWEEN SHAFT AND MOTOR FOR LONG LIFE
 MODEL ZO110: NORMALLY OPEN WITH NO POWER (CLOSES WITH POWER)
 MOUNTING HARDWARE: (6) #6 SHEET METAL SCREWS
 (1) 24 VAC TRANSFORMER

SUNCOURT INC.
 P.O. Box 40
 Durant, IA 52747-0040
 1.800.999.FANS (3267)
 www.suncourt.com