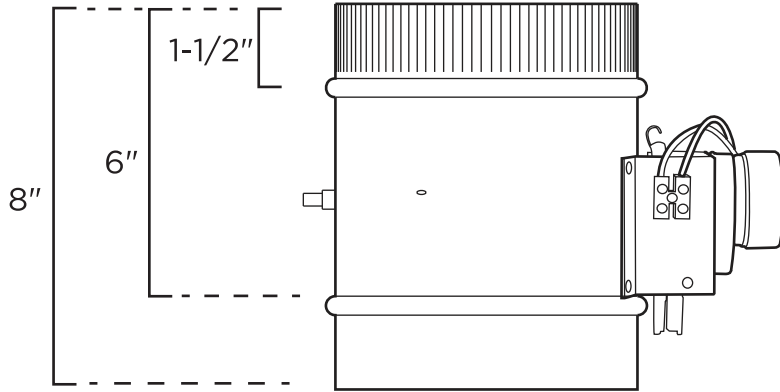


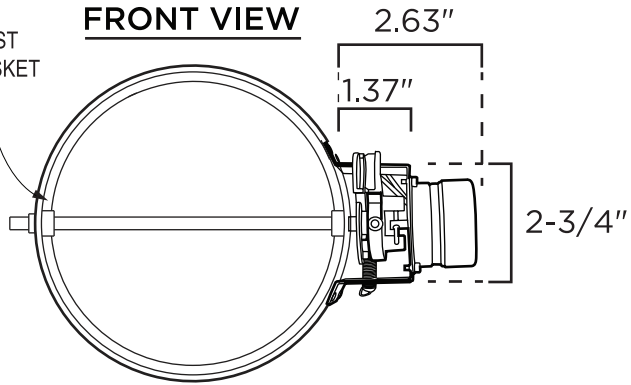


TOP VIEW

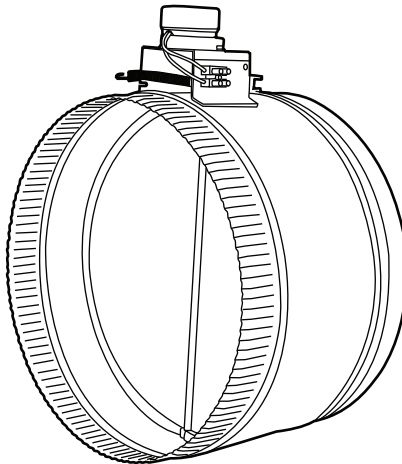
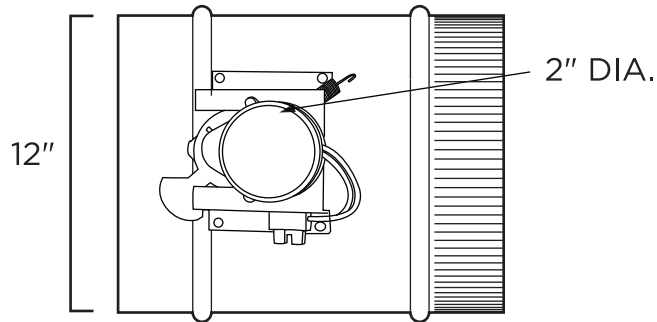


FRONT VIEW

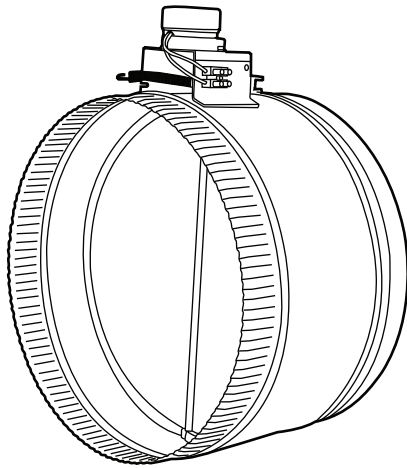
DAMPER CLOSSES AGAINST
CLOSED CELL FOAM GASKET



SIDE VIEW



MODEL: ZC212



Model: ZC212
12" ZoneMaster™ Motorized Damper - Closed Adjustable Damper
6 Running Watts, 0.25 Amps, 24 VAC, 60 Hz
UL® Listed Transformer:
 Input:120 VAC, 60 Hz
 Output: 24 VAC, 60 Hz, 20 VA
3 Year Limited Warranty
12" Diameter
Made in the USA
Primary UOM: EA
Shipping Multiple: 2

PERFORMANCE:

Watts	Amps	Volts	Hz	Unit Weight
6	.25	24	60	4.9lbs

HAZARDOUS MATERIAL INFO:

Not Applicable

CUSTOMS TARIFF CLASSIFICATION:

HS Code	Country of Origin	NAFTA Preference Criterion	NAFTA Producer Index
8414901000	USA	B	Y

PACKAGING METRICS:

	UPC / SCC	WIDTH (in)	HEIGHT (in)	DEPTH (in)	WEIGHT (lbs)
Unit (1qty):	066028011121	8.50	13.75	13.00	6.25
Master Case (2qty):	40066028011129	19.00	14.25	13.25	14.00

MODEL: ZC212