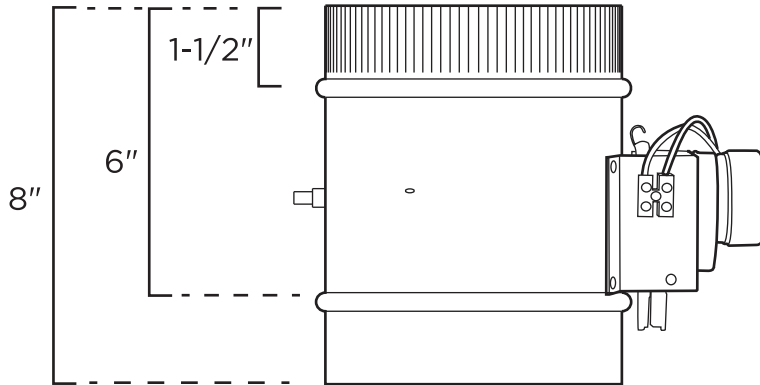


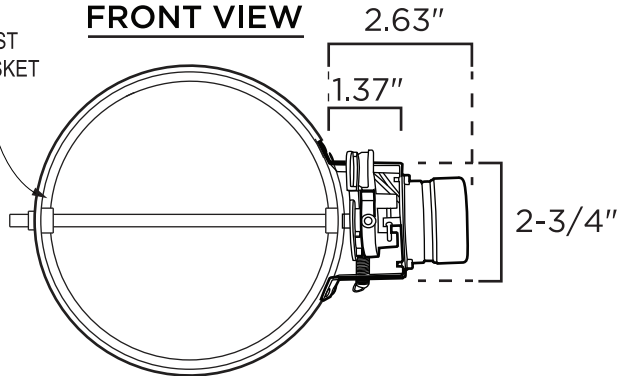


TOP VIEW

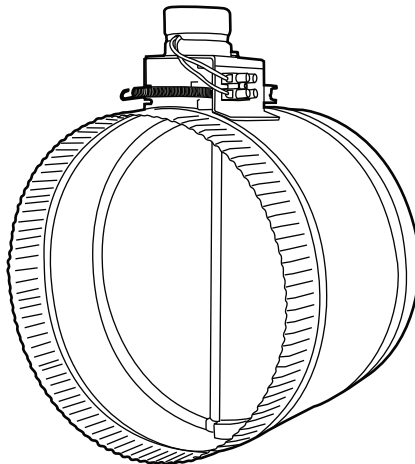
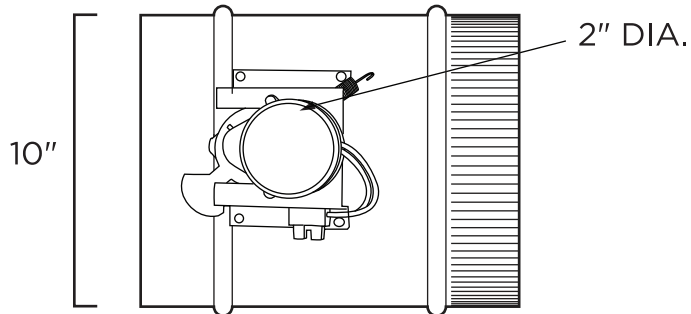


FRONT VIEW

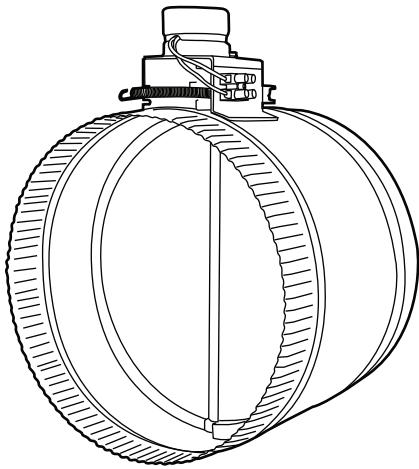
DAMPER CLOSES AGAINST
CLOSED CELL FOAM GASKET



SIDE VIEW



MODEL: ZC210



Model: ZC210

10" ZoneMaster™ Motorized Damper - Closed Adjustable Damper

6 Running Watts, 0.25 Amps, 24 VAC, 60 Hz

UL® Listed Transformer:

Input:120 VAC, 60 Hz

Output: 24 VAC, 60 Hz, 20 VA

3 Year Limited Warranty

10" Diameter

Made in the USA

Primary UOM: EA

Shipping Multiple: 2

PERFORMANCE:

Watts	Amps	Volts	Hz	Unit Weight
6	.25	24	60	4.3lbs

HAZARDOUS MATERIAL INFO:

Not Applicable

CUSTOMS TARIFF CLASSIFICATION:

HS Code	Country of Origin	NAFTA Preference Criterion	NAFTA Producer Index
8414901000	USA	B	Y

PACKAGING METRICS:

	UPC / SCC	WIDTH (in)	HEIGHT (in)	DEPTH (in)	WEIGHT (lbs)
Unit (1qty):	066028011107	12.25	9.00	10.25	5.75
Master Case (4qty):	40066028011105	19.25	13.25	12.75	13.00

MODEL: ZC210