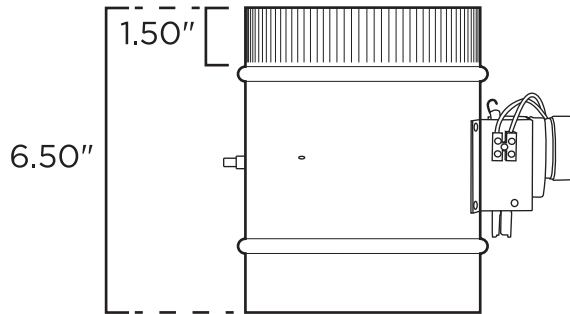




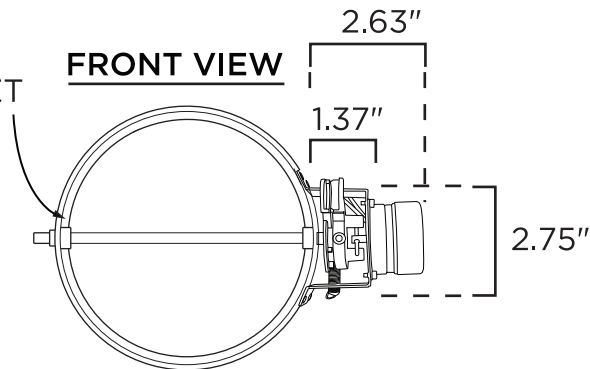
MOTORIZED DAMPER

TOP VIEW

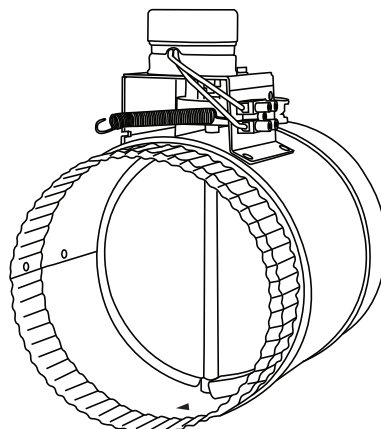
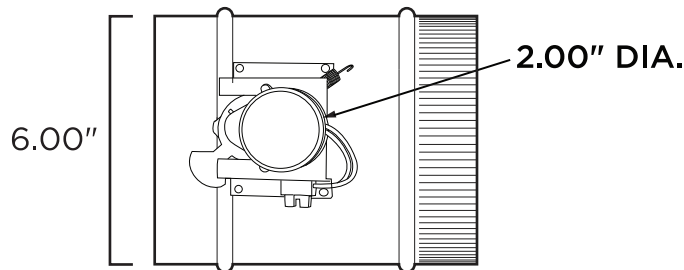


DAMPER CLOSSES AGAINST
CLOSED CELL FOAM GASKET

FRONT VIEW

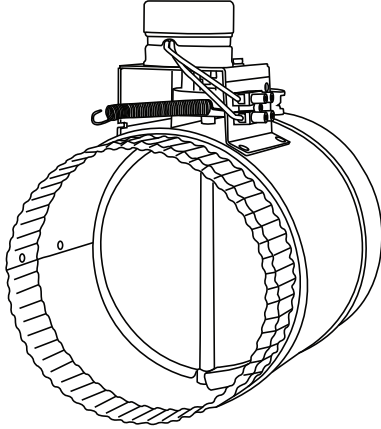


SIDE VIEW



Normally Closed With
No Power (Opens With Power)
Mounting Hardware:
(6) #6 Sheet metal screws
(1) 24 VAC Transformer

MODEL: ZC206



Model: ZC206

6" ZoneMaster™ Motorized Damper - Closed Adjustable Damper

6 Running Watts, 0.25 Amps, 24 VAC, 60 Hz

UL® Listed Transformer:

Input:120 VAC, 60 Hz

Output: 24 VAC, 60 Hz, 15 VA

2 WIRE Hysteresis Gear Motor

Free Wheeling Coupling For Long Life

3 Year Limited Warranty

6" Diameter

Gauge: 25

Made in the USA

Primary UOM: EA

Shipping Multiple: 4

Model	Unit Weight	VAC	Watts	AMPS	Hz
ZC206	2.30 lbs.	24	6	0.25	60

PERFORMANCE:

The ZoneMaster™ Motorized Damper saves money on heating and cooling by controlling temperatures in individual rooms.

HAZARDOUS MATERIAL INFO:

Not Applicable

CUSTOMS TARIFF CLASSIFICATION:

HS Code	Country of Origin	NAFTA Preference Criterion	NAFTA Producer Index
8414901000	USA	B	Y

PACKAGING METRICS:

	UPC / SCC	WIDTH (in)	HEIGHT (in)	DEPTH (in)	WEIGHT (lbs)
Unit (1qty):	066028011060	8.25	10.50	8.25	3.75
Master Case (4qty):	40066028011068	16.25	11.25	16.75	16.50

MODEL: ZC206