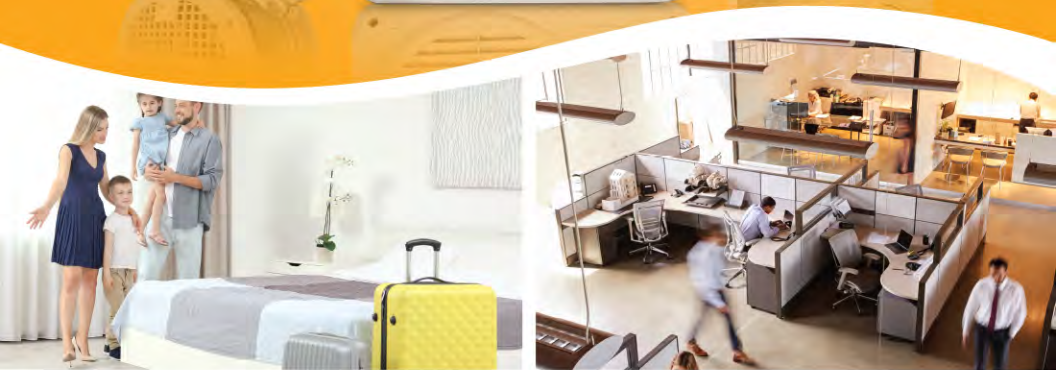


**THRU-WALL™**  
ROOM TO ROOM FAN

# TRANSFER FANS



IDEAL FOR USE WITH:  
HOTEL SUITES | OFFICE SPACE  
ASSISTED LIVING | DORMITORIES

**BALANCE TEMPERATURE IN ADJOINING ROOMS WITH  
PTAC UNITS, MINI SPLIT SYSTEMS, WINDOW AIR  
CONDITIONING UNITS, FIREPLACES, PELLET BURNERS  
AND MORE FOR YEAR ROUND COMFORT**

**QUALITY | COMFORT | CONTROL**





#TW108  
CORDED



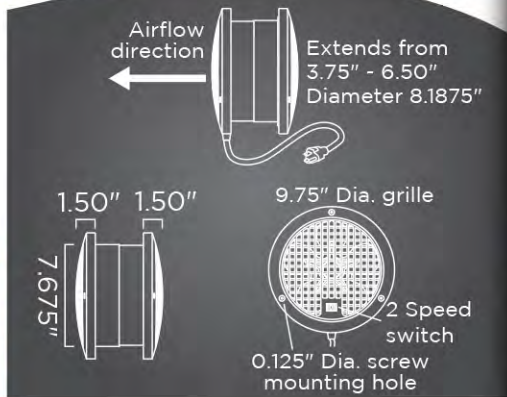
Want to learn more?



#TW208  
HARDWIRED



Want to learn more?



- 2-Speed motor
- Easy to install in any frame wall (3 3/4"-6 1/2" thick)
- 10' attached power cord
- Fan airflow exhausts on the switch side. *A reverse airflow blade is available for purchase. We can also special build units with the reverse fan blade.*

Model	Fan Speeds	Sq. Ft. of Room	CFM
TW108	2 Speeds	200 - 440 sq. ft.	155 - 195

- Rotating grille that allows airflow direction to be changed
- Variable Speed fan for customized airflow
- Easy to install in any frame wall (3 3/4"-6 1/2" thick)
- Hardwired for clean installation
- Fan airflow exhausts on the switch side. *A reverse airflow blade is available for purchase. We can also special build units with the reverse fan blade.*

Model	Fan Speeds	Sq. Ft. of Room	CFM
TW208	Variable Speed	Up to 200 sq. ft.	40 - 100



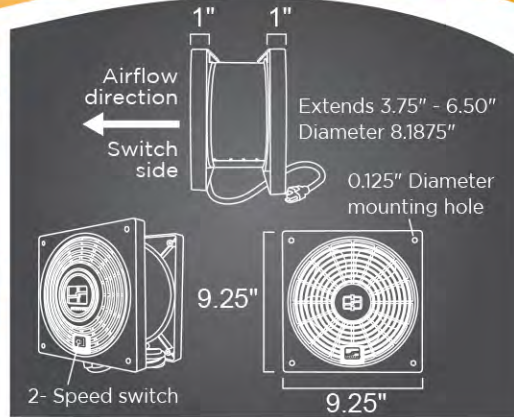
ENERGY  
EFFICIENT



Want to  
learn more?

#TW408

**CORDED**



- 2 airflow adaptor plates and 2-speed motor for better temperature control.
- Fan airflow exhausts on the switch side. *A reverse airflow blade is available for purchase. We can also special build units with the reverse fan blade.*
- Easy to install in any frame wall (3 3/4"-6 1/2" thick)
- 10' attached power cord

Model	Fan Speeds	Sq. Ft. of Room	CFM
TW408	2 Speeds	100 - 275 sq. ft	90 - 130