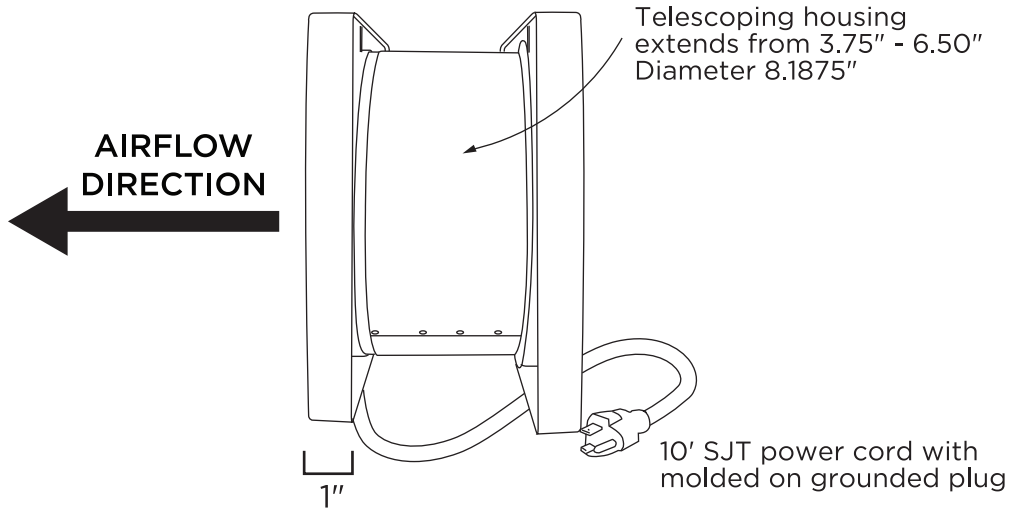




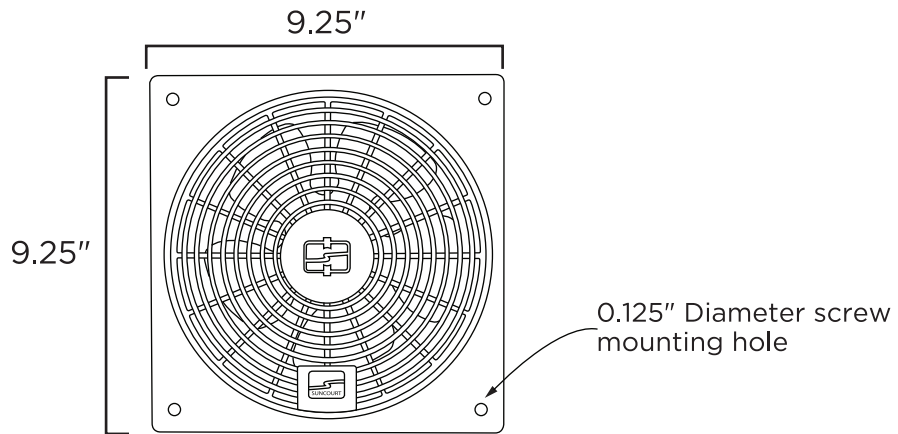
THRU-WALL™ ROOM TO ROOM FAN

2 SPEED ROOM TO ROOM FAN

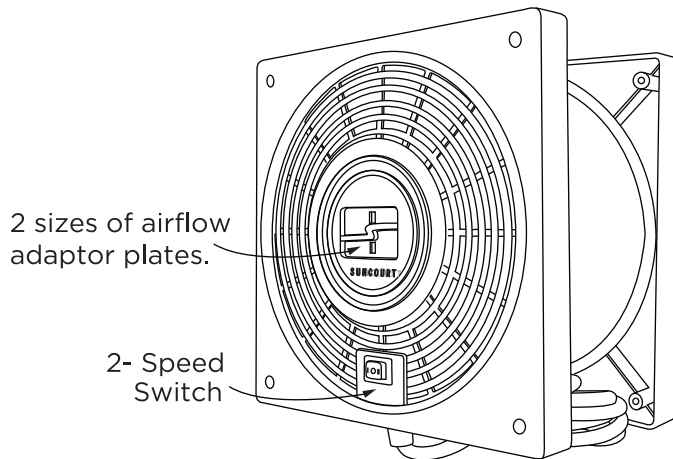
SIDE VIEW



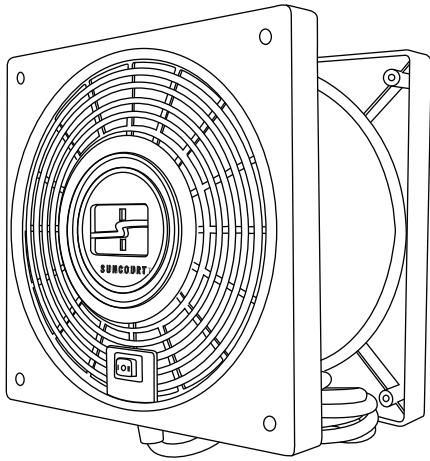
BACK VIEW



FRONT VIEW



MODEL: TW408



Model: TW408
ThruWall™ Room To Room Fan
UL® Listed
1 Year Limited Warranty
Class B Thermally Protected Motor
Blade Type: Polycarbonate
Hole Diameter: 8"
Grille Dimension: 9-1/4"
Assembled in the USA
Primary UOM: EA
Shipping Multiple: 4

Model	Unit Weight	Volts	CFM	Sq. Ft. of Room	Running Watts	AMPS	HZ	dBA	Sones	Cord Length
TW408	4.65 lbs.	120	90 to 130	100 to 275	29 to 40	0.75	60	Low-38.5 High-40.1	3	10'

HAZARDOUS MATERIAL INFO:

Not Applicable

CUSTOMS TARIFF CLASSIFICATION:

HS Code	Country of Origin	NAFTA Preference Criterion	NAFTA Producer Index
8414519090	USA	B	Y

PACKAGING METRICS:

	UPC / SCC	WIDTH (in)	HEIGHT (in)	DEPTH (in)	WEIGHT (lbs)
Unit (1qty):	066028004086	6.50	10.75	10.25	4.65
Master Case (4qty):	40066028004084	20.75	11.50	13.50	22.00

MODEL: TW408