

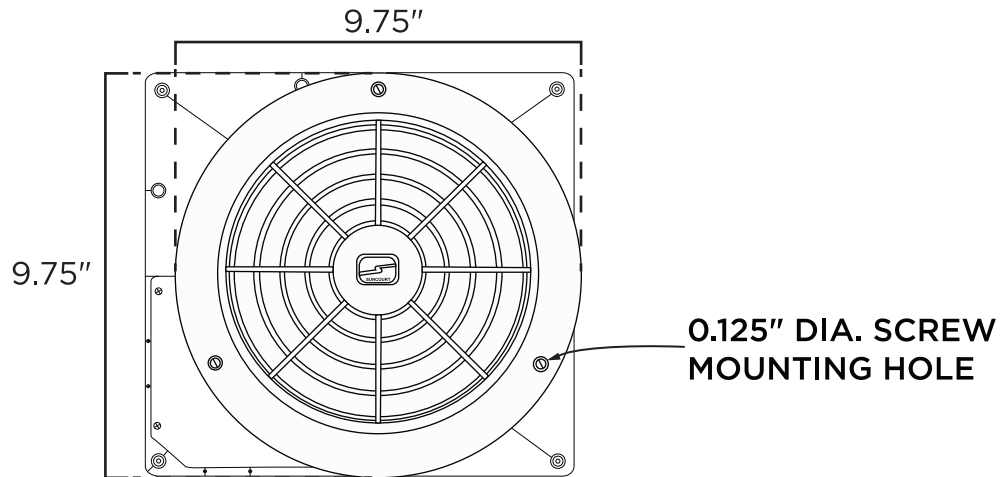


# THRUWALL™ ROOM TO ROOM FAN

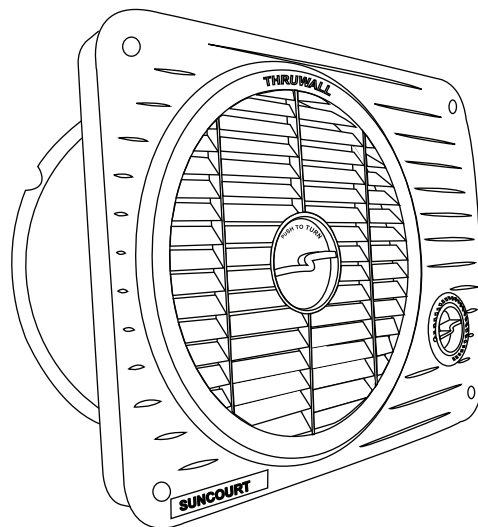
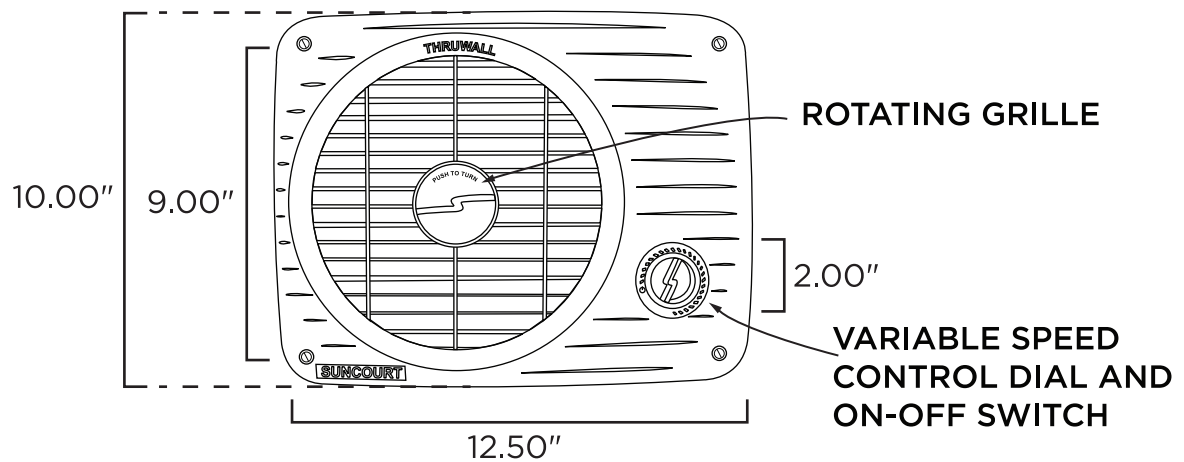
N.T.S.

## VARIABLE SPEED HARDWIRED ROOM TO ROOM FAN

BACK VIEW



FRONT VIEW



**MOUNTING HARDWARE:**  
(7) #6 SCREWS  
(7) WALL ANCHORS  
(3) WIRE NUTS

**MODEL: TW208**

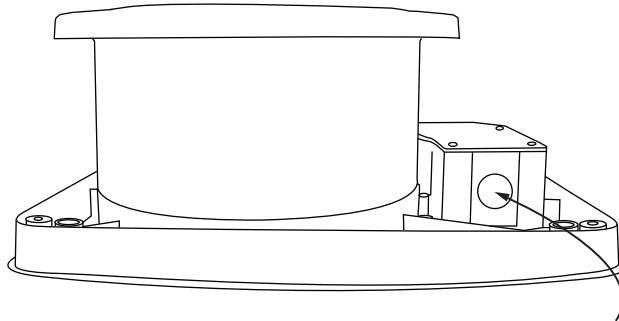


**THRU-WALL™**  
**ROOM TO ROOM FAN**

N.T.S.

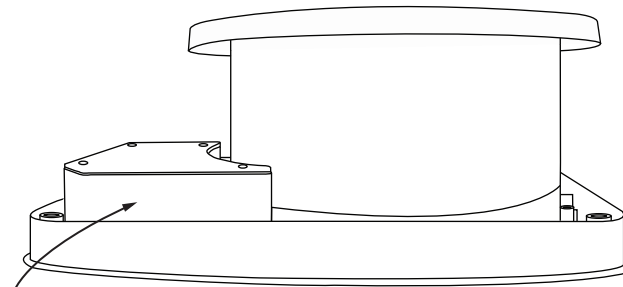
**VARIABLE SPEED HARDWIRED  
ROOM TO ROOM FAN**

TOP VIEW



0.875" STRAIN RELIEF  
KNOCK-OUT

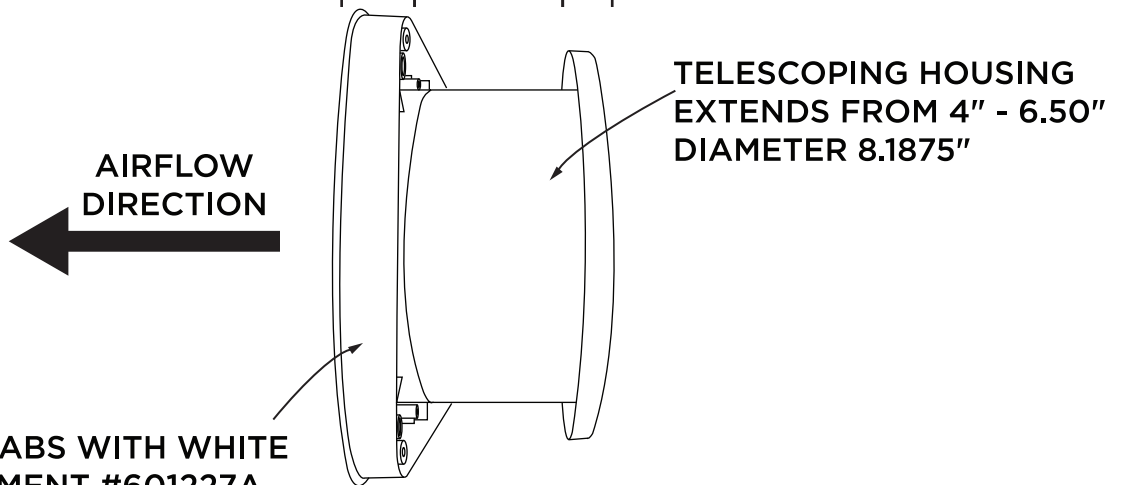
BOTTOM VIEW



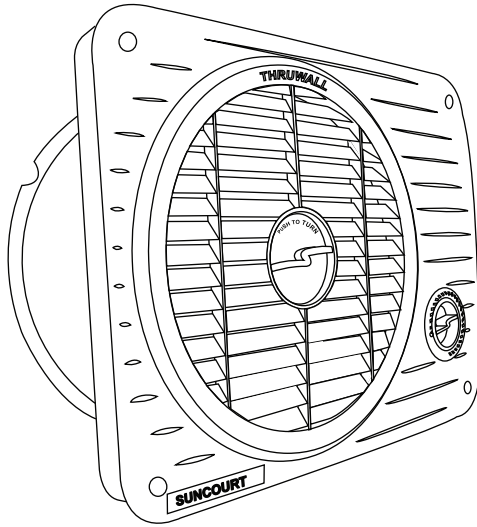
ELECTRICAL BOX

SIDE VIEW

1.50" 4" to 6.50" .50"



**MODEL: TW208**



**Model: TW208**  
**ThruWall™ Hardwire Room To Room Fan**  
**ETL® Listed**  
**1 Year Limited Warranty**  
**Class B Thermally Protected Motor**  
**Blade Type: Polycarbonate**  
**Cutout Dimension: 11.5" x 8.5"**  
**Back Grille Diameter: 9-3/4"**  
**Assembled in the USA**  
**Primary UOM: EA**  
**Shipping Multiple: 4**

Model	Unit Weight	Volts	CFM	Sq. Ft. of Room	Running Watts	AMPS	HZ	dBA	Sones
TW208	5 lbs.	120	40 to 100	Up to 200	20 to 36	0.75	60	Low-38.1 High-38.4	3

#### HAZARDOUS MATERIAL INFO:

Not Applicable

#### CUSTOMS TARIFF CLASSIFICATION:

HS Code	Country of Origin	NAFTA Preference Criterion	NAFTA Producer Index
8414519060	USA	B	Y

#### PACKAGING METRICS:

	UPC / SCC	WIDTH (in)	HEIGHT (in)	DEPTH (in)	WEIGHT (lbs)
Unit (1qty):	066028002082	6.00	10.75	13.00	5.25
Master Case (4qty):	40066028002080	26.50	11.25	12.50	22.00

## MODEL: TW208