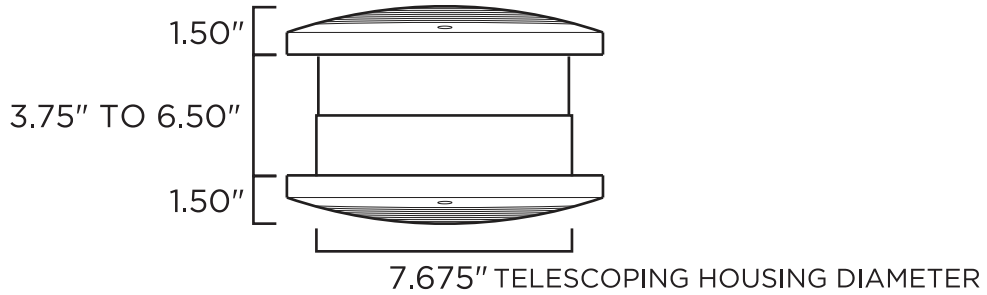




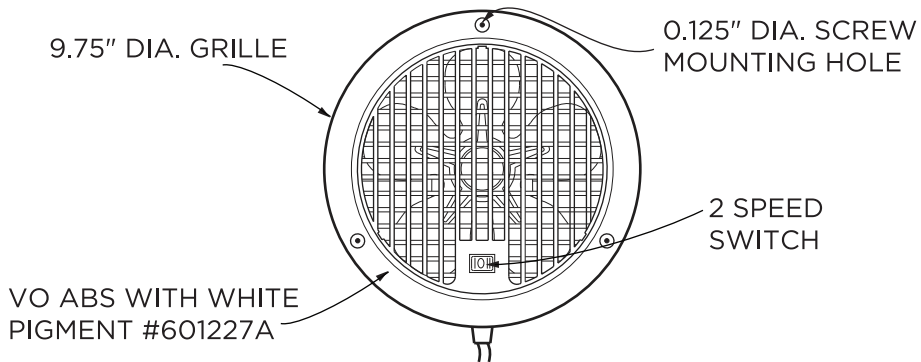
THRU-WALL™ ROOM TO ROOM FAN

2 SPEED ROOM TO ROOM FAN

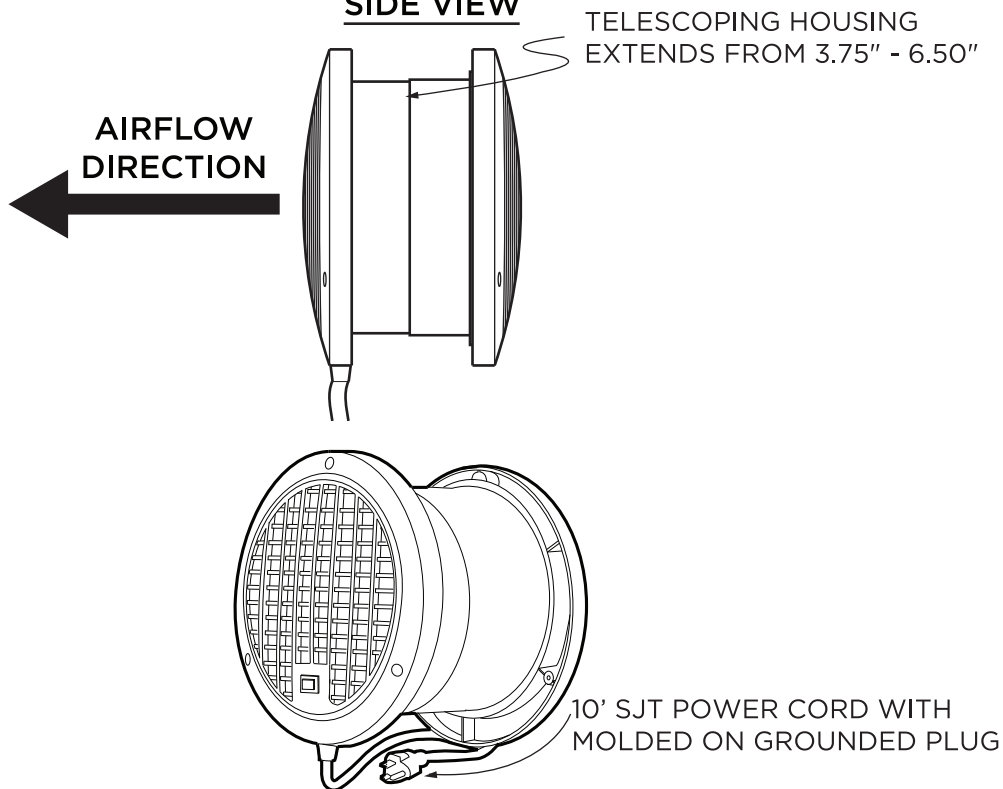
TOP VIEW



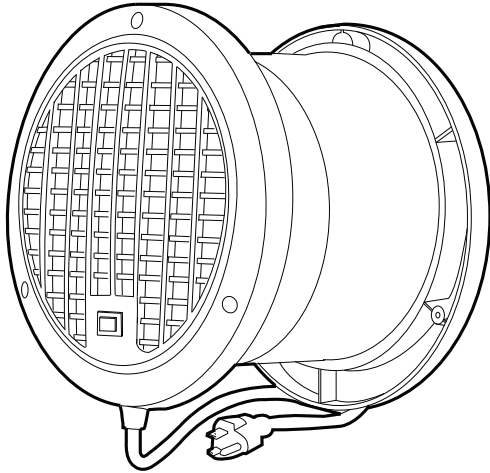
FRONT VIEW



SIDE VIEW



MODEL: TW108



Model: TW108
ThruWall™ Room To Room Fan
ETL® Listed
1 Year Limited Warranty
Class B Thermally Protected Motor
Blade Type: Polycarbonate
Hole Diameter: 8"
Back Grille Diameter: 9-3/4"
Assembled in the USA
Primary UOM: EA
Shipping Multiple: 4

Model	Unit Weight	Volts	CFM	Sq. Ft. of Room	Running Watts	AMPS	HZ	dBA	Sones	Cord Length
TW108	4.3 lbs.	120	155 to 195	200 to 440	20 to 40	0.75	60	Low-39.2 High-41.1	3	10'

HAZARDOUS MATERIAL INFO:

Not Applicable

CUSTOMS TARIFF CLASSIFICATION:

HS Code	Country of Origin	NAFTA Preference Criterion	NAFTA Producer Index
8414519090	USA	B	Y

PACKAGING METRICS:

	UPC / SCC	WIDTH (in)	HEIGHT (in)	DEPTH (in)	WEIGHT (lbs)
Unit (1qty):	066028000682	6.50	10.75	10.25	5.00
Master Case (4qty):	40066028000680	21.25	11.25	13.50	20.50

MODEL: TW108