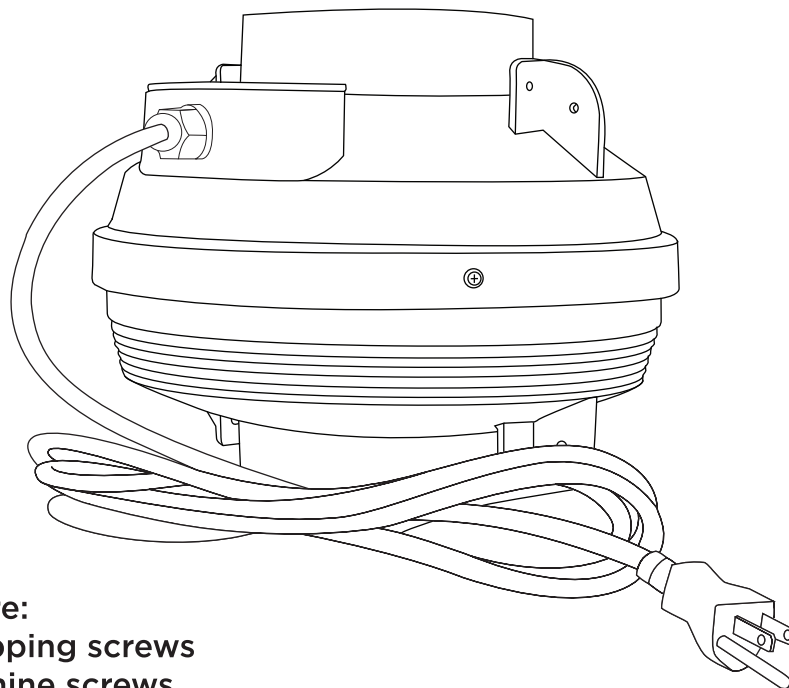
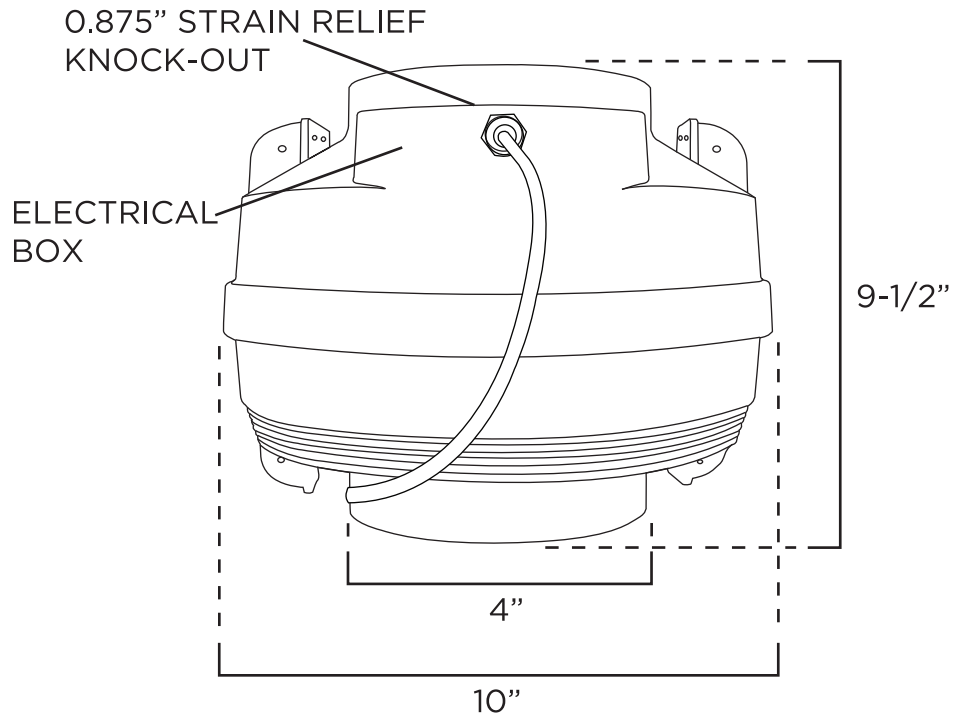




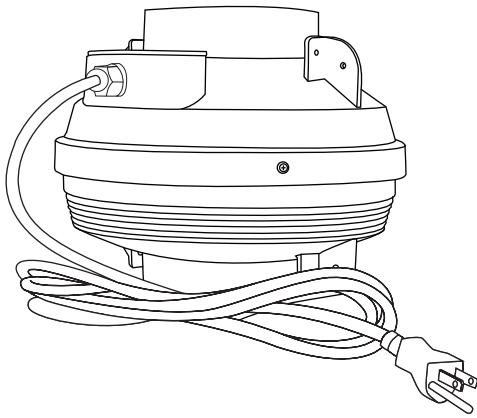
## 4" CENTRAX® CORDED IN-LINE CENTRIFUGAL FAN™



### Mounting Hardware:

- (4) #8 x 1" Self tapping screws
- (4) #6 X 1/2" Machine screws
- (4) Hex nuts, (4) #6 Lock washers
- (4) Rubber washers
- (2) Fan mounting brackets, (2) Cable ties
- (6) #6 Screws for securing duct connection

**MODEL: TF104-CRD**



**Model #: TF104-CRD**  
**Centrax® 4" In-Line Centrifugal Fan**  
**200 Free Air CFM, 113 Running Watts**  
**0.95 Amps, 120 VAC, 60 Hz**  
**Class F external rotor motor**  
**Thermally protected auto reset**  
**Ball bearing balanced ABS backward**  
**inclined impeller**  
**MET® Listed**  
**5 Year Limited Warranty**  
**4" Diameter**  
**Made In USA**  
**Primary UOM: EA**

**PERFORMANCE:**

CFM	Watts	Amps	Volts	Hz	dBA	Sones	Weight
200	113	0.95	120	60	59	6.3	6.05lbs

**HAZARDOUS MATERIAL INFO:**

Not Applicable

**CUSTOMS TARIFF CLASSIFICATION:**

HS Code	Country of Origin	NAFTA Preference Criterion	NAFTA Producer Index
8414596060	USA		No

**PACKAGING METRICS:**

	UPC / SCC	WIDTH (in)	HEIGHT (in)	DEPTH (in)	WEIGHT (lbs)
Unit (1qty):	066028035042	10.75	12.25	10.75	8.25
Master Case (1qty):	40066028035040	10.75	12.25	10.75	8.25

**MODEL: TF104-CRD**