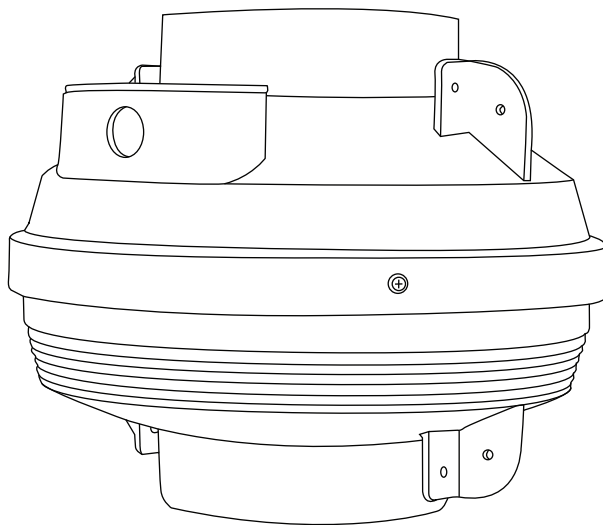
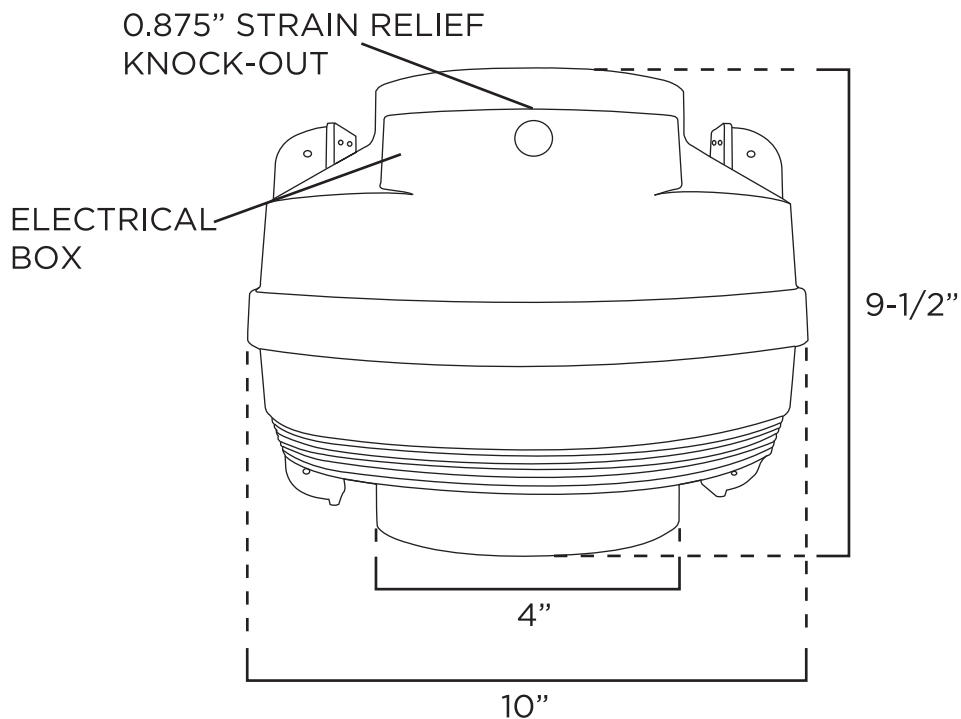




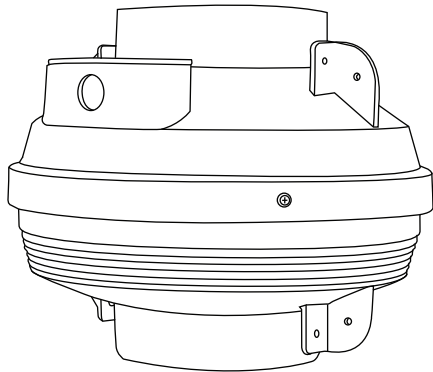
4" CENTRAX® IN-LINE CENTRIFUGAL FAN™



Mounting Hardware:

- (4) #8 x 1" Self tapping screws
- (4) #6 X 1/2" Machine screws
- (4) Hex nuts, (4) #6 Lock washers
- (4) Rubber washers
- (2) Fan mounting brackets, (2) Cable ties
- (6) #6 Screws for securing duct connection

MODEL: TF104



Model #: TF104
Centrax® 4" In-Line Centrifugal Fan
200 Free Air CFM, 90 Running Watts
0.8 Amps, 120 VAC, 60 Hz
Class F external rotor motor
Thermally protected auto reset
Ball bearing balanced ABS backward inclined impeller
MET® Listed
5 Year Limited Warranty
4" Diameter
Made In USA
Primary UOM: EA

PERFORMANCE:

CFM	Watts	Amps	Volts	Hz	dBA	Sones	Weight
200	90	0.8	120	60	59	6.3	5.45lbs

HAZARDOUS MATERIAL INFO:

Not Applicable

CUSTOMS TARIFF CLASSIFICATION:

HS Code	Country of Origin	NAFTA Preference Criterion	NAFTA Producer Index
8414596060	USA		No

PACKAGING METRICS:

	UPC / SCC	WIDTH (in)	HEIGHT (in)	DEPTH (in)	WEIGHT (lbs)
Unit (1qty):	066028031044	10.75	12.25	10.75	7.25
Master Case (1qty):	40066028031042	10.75	12.25	10.75	7.25

MODEL: TF104