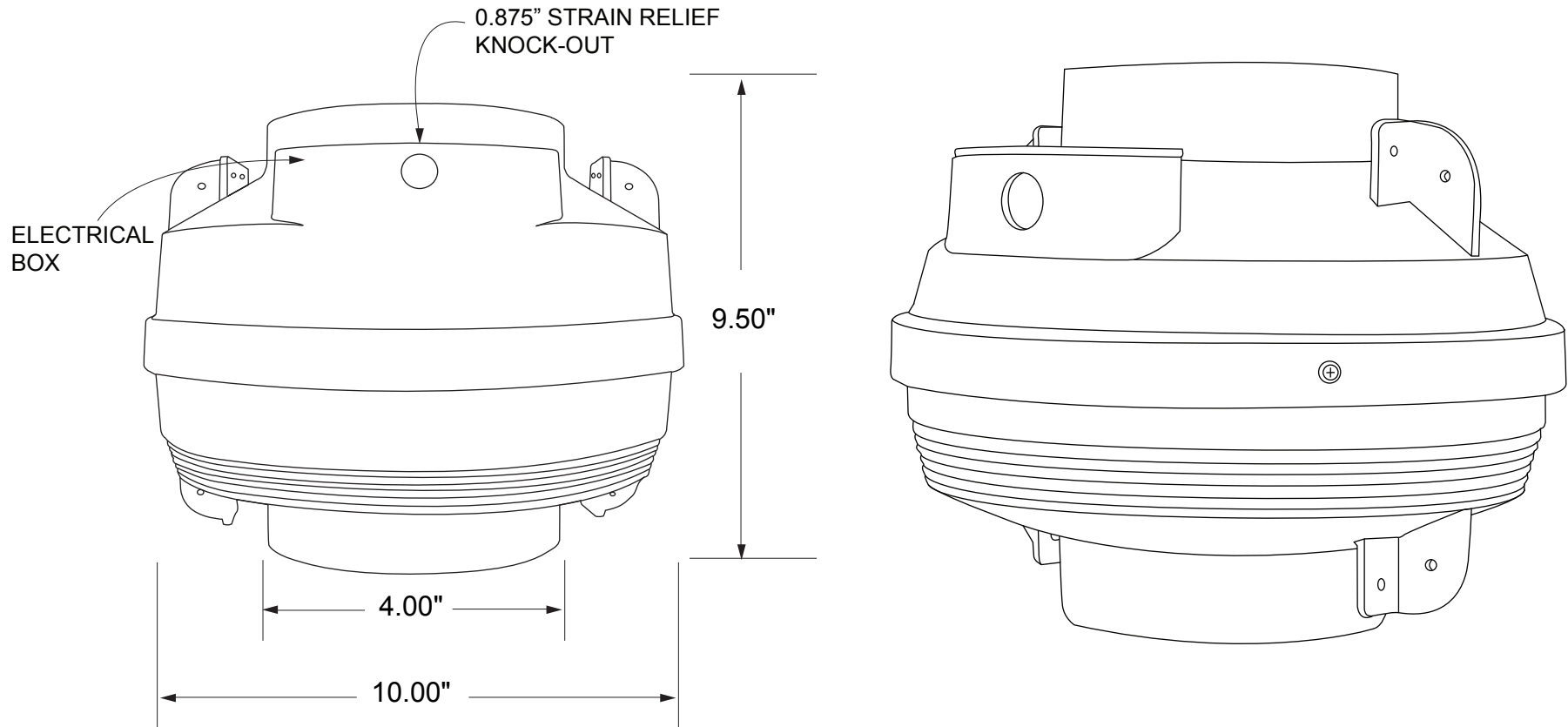


Radon Mitigation Fan Kit: RDN04-3



N.T.S.



4" Centrax[®] In-Line Centrifugal Fan[™]

Model: TF104(-W)

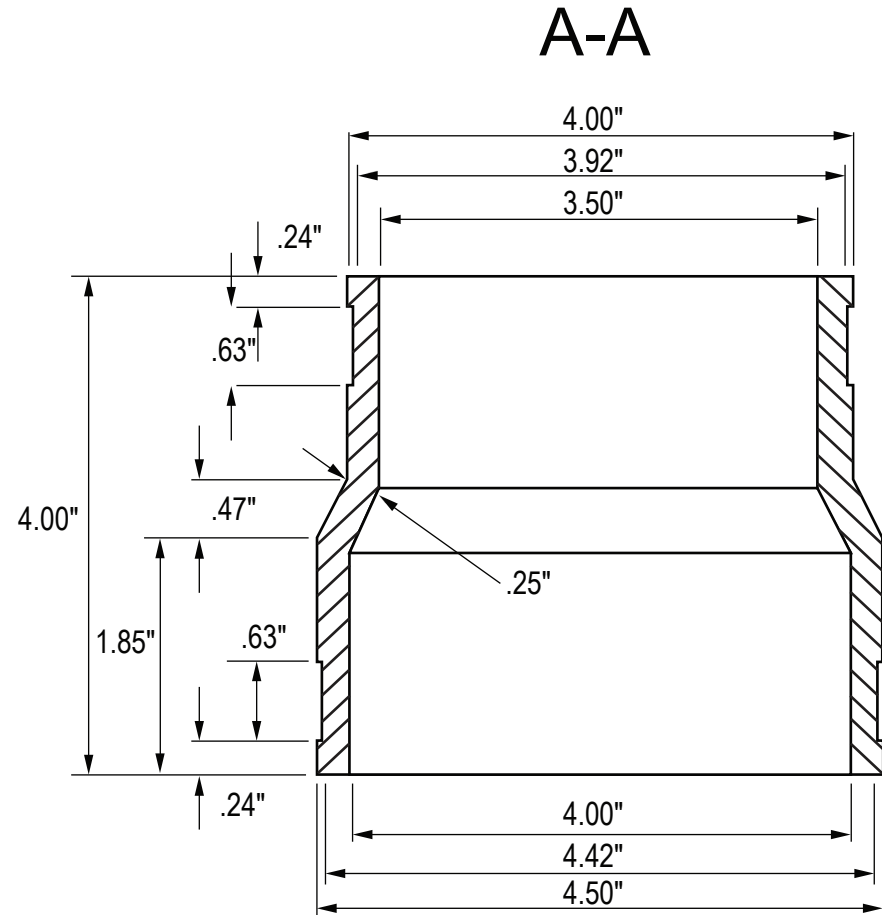
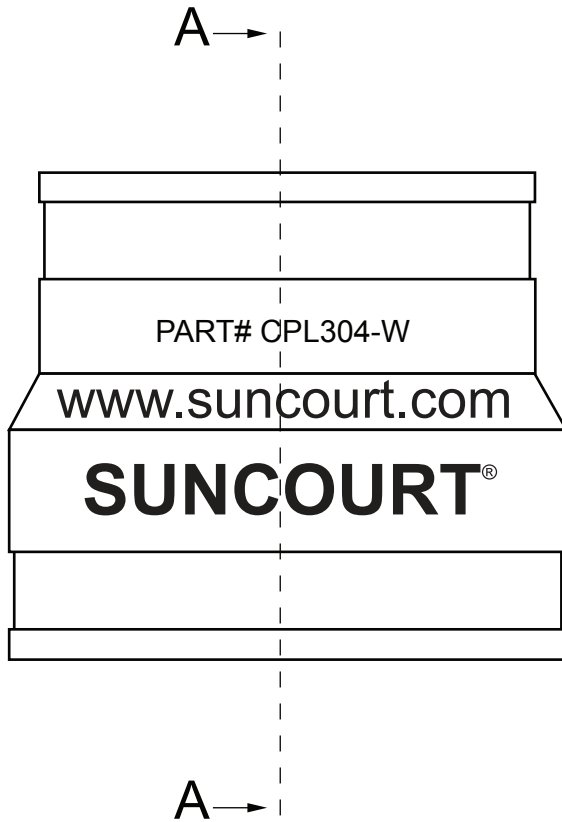
Mounting Hardware:

- (4) #8 x 1" Self tapping screws
- (4) #6 X 1/2" Machine screws
- (4) Hex nuts, (4) #6 Lock washers
- (4) Rubber washers
- (2) Fan mounting brackets, (2) Cable ties
- (6) #6 Screws for securing duct connection

- Output/Input Diameter: 4" (po) • Unit weight: 5.45 lbs. • CFM: 200 • Amps: 0.65
- Watts: 77 • Volts: 120 • Hz: 60 • ETL[®] Listed • Class F external rotor motor
- Thermally protected auto reset • Ball bearing balanced ABS backward inclined impeller
- 5 year limited warranty

SUNCOURT INC.
P.O. Box 40
Durant, IA 52747-0040
1.800.999.FANS (3267)
www.suncourt.com

TF104-SS-0716



N.T.S.



SUNCOURT® RUBBER COUPLERS

MODEL CPL304-W

3" to 4" white couplers available in the Suncourt Radon Mitigation In-Line Fan Kit or sold separately in a (2-pack).

DIAMETER: SIZED TO CONNECT SUNCOURT TF104(-W)
TO 4" APPROPRIATE PVC
UNIT WEIGHT: 0.65 LBS
ONE YEAR LIMITED WARRANTY

SUNCOURT INC.
P.O. Box 40
Durant, IA 52747-0040
1.800.999.FANS (3267)
www.suncourt.com

CPL304W-SS-0219