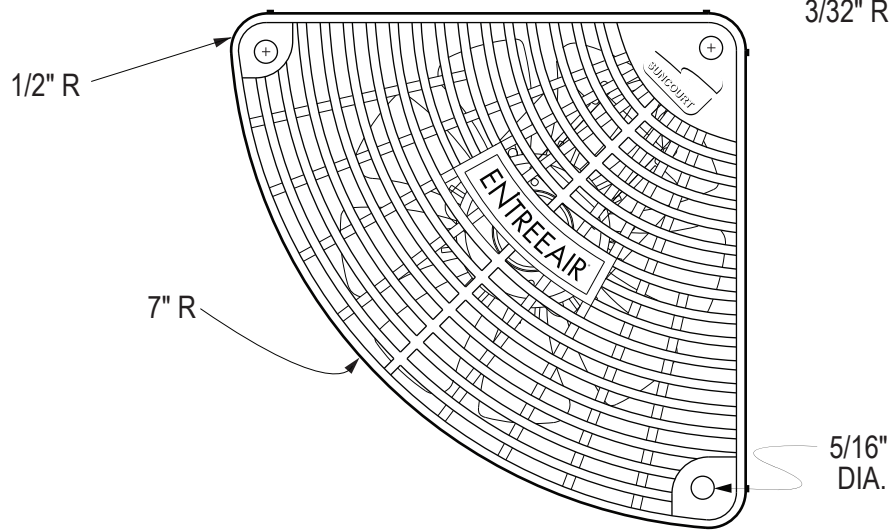
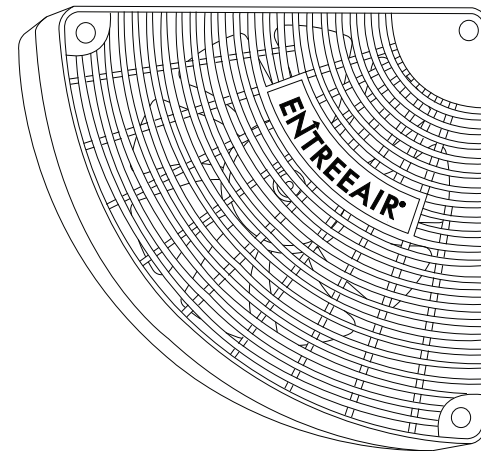
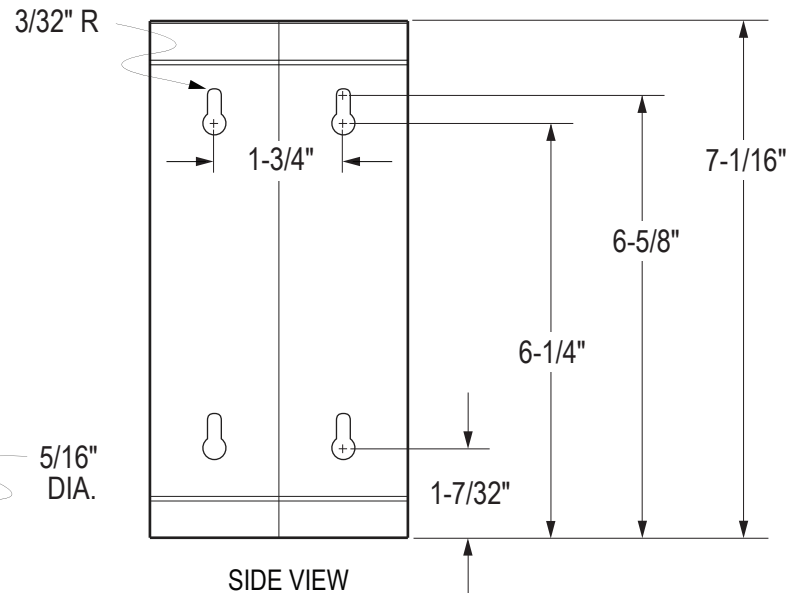


TOP VIEW



FRONT VIEW



SIDE VIEW

N.T.S.



ENTREEAIR® DOOR FRAME FAN™

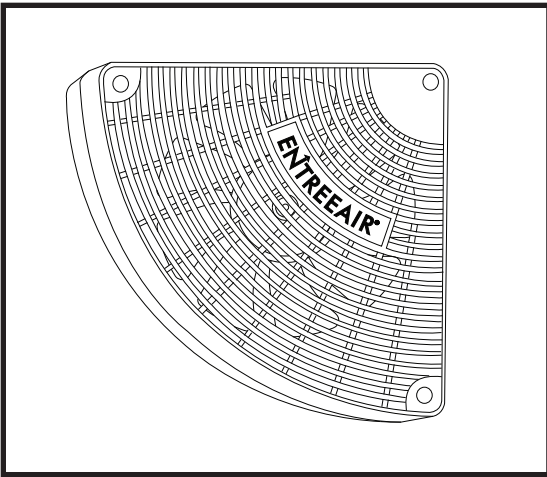
MODEL RR100-B

Gently circulates air from room to room.

UNIT WEIGHT: 2.05 LBS. • 10' FUSED CORD W/ INLINE SWITCH
 AMPS: 0.40 • WATTS: 20 • DBA 50 • SONES 2.2 • COLOR: BROWN
 120 VAC • 60 HZ • CLASS B THERMALLY PROTECTED MOTOR
 ONE YEAR LIMITED WARRANTY

SUNCOURT INC.
 P.O. Box 40
 Durant, IA 52747-0040
 1.800.999.FANS (3267)
 www.suncourt.com

PRODUCT DATA SHEET



Model: RR100-B
EntreeAir™ Room To Room Fan™
ETL® Listed
1 Year Limited Warranty
Made in China
Primary UOM: EA
Shipping Multiple: 12

Performance

Watts	Amps	Volts	Hz	dBA	Sones	CFM
20	0.40	120	60	50	2.2	100

Hazardous Material Info

Not Applicable

Customs Tariff Classification

HS Code	Country of Origin	NAFTA Preference Criterion	NAFTA Producer Index
8414596090	China		N

Packaging Metrics

	UPC/SCC	Width (in)	Height (in)	Depth (in)	Weight (lbs)
Unit	066028000422	8.25	8.25	3.75	2.00
Master Case	40066028000420	23.00	17.25	9.00	28.50