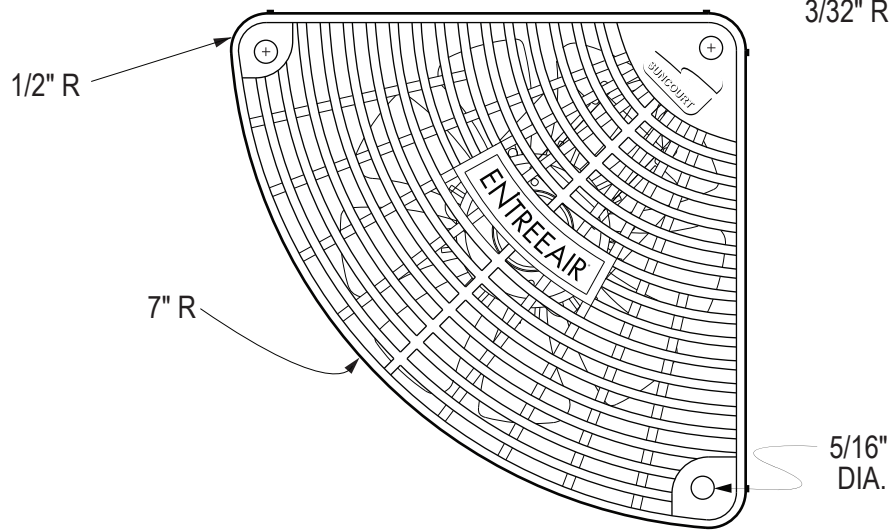
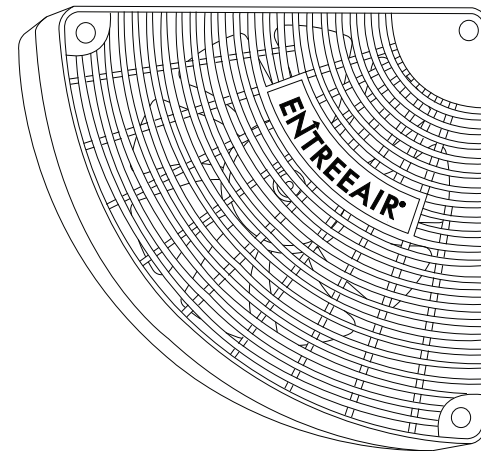
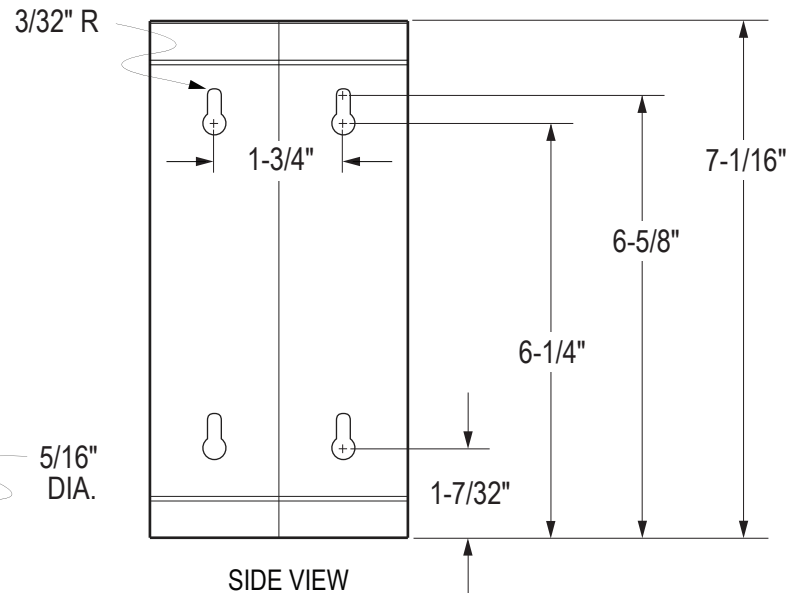


TOP VIEW



FRONT VIEW



SIDE VIEW

N.T.S.



# ENTREEAIR® DOOR FRAME FAN™

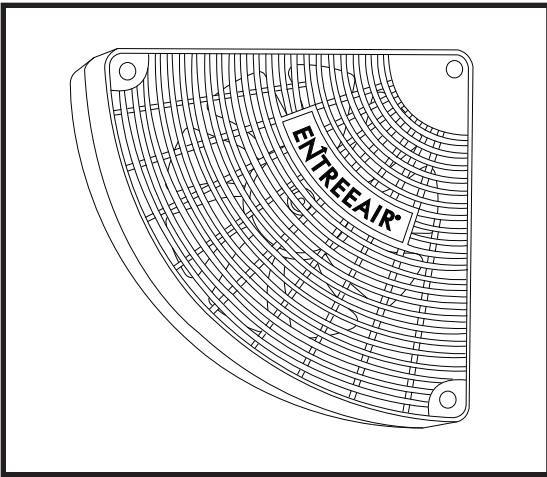
## MODEL RR100

Gently circulates air from room to room.

UNIT WEIGHT: 2.05 LBS. • 10' FUSED CORD W/ INLINE SWITCH  
 AMPS: 0.40 • WATTS: 20 • DBA 50 • SONES 2.2 • COLOR: PEARL  
 120 VAC • 60 HZ • CLASS B THERMALLY PROTECTED MOTOR  
 ONE YEAR LIMITED WARRANTY

SUNCOURT INC.  
 P.O. Box 40  
 Durant, IA 52747-0040  
 1.800.999.FANS (3267)  
 www.suncourt.com

# PRODUCT DATA SHEET



**Model: RR100**  
**EntreeAir™ Room To Room Fan™**  
ETL® Listed  
1 Year Limited Warranty  
Made in China  
Primary UOM: EA  
Shipping Multiple: 12

## Performance

Watts	Amps	Volts	Hz	dBA	Sones	CFM
20	0.40	120	60	50	2.2	100

## Hazardous Material Info

Not Applicable

## Customs Tariff Classification

HS Code	Country of Origin	NAFTA Preference Criterion	NAFTA Producer Index
8414596090	China		N

## Packaging Metrics

	UPC/SCC	Width (in)	Height (in)	Depth (in)	Weight (lbs)
Unit	066028000408	8.25	8.25	3.75	2.25
Master Case	40066028000406	23.00	17.00	8.75	28.50