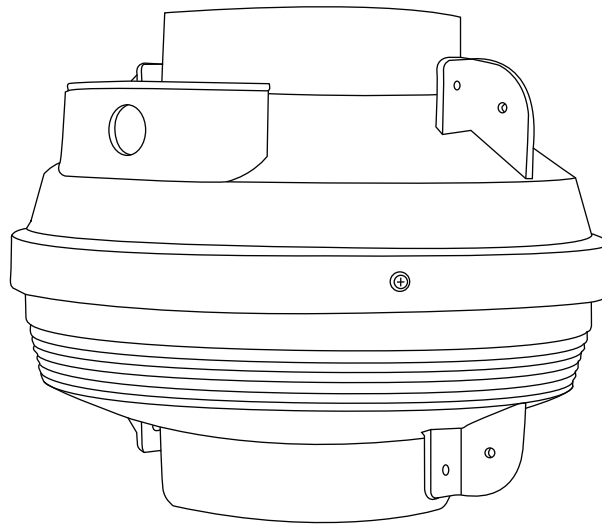
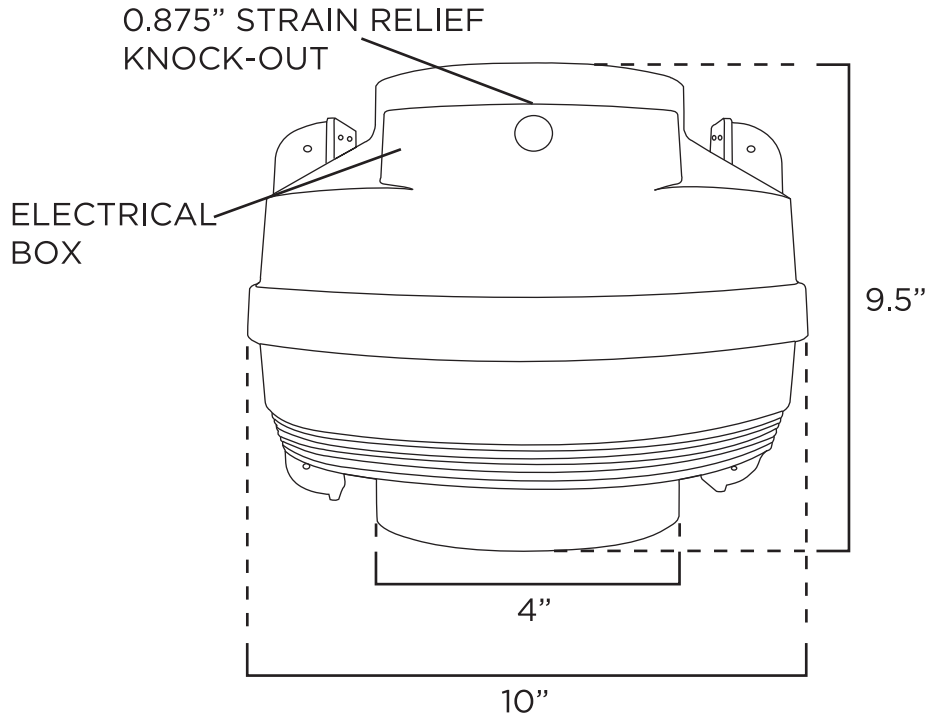




4" RADON MITIGATION FAN KIT



Mounting Hardware:

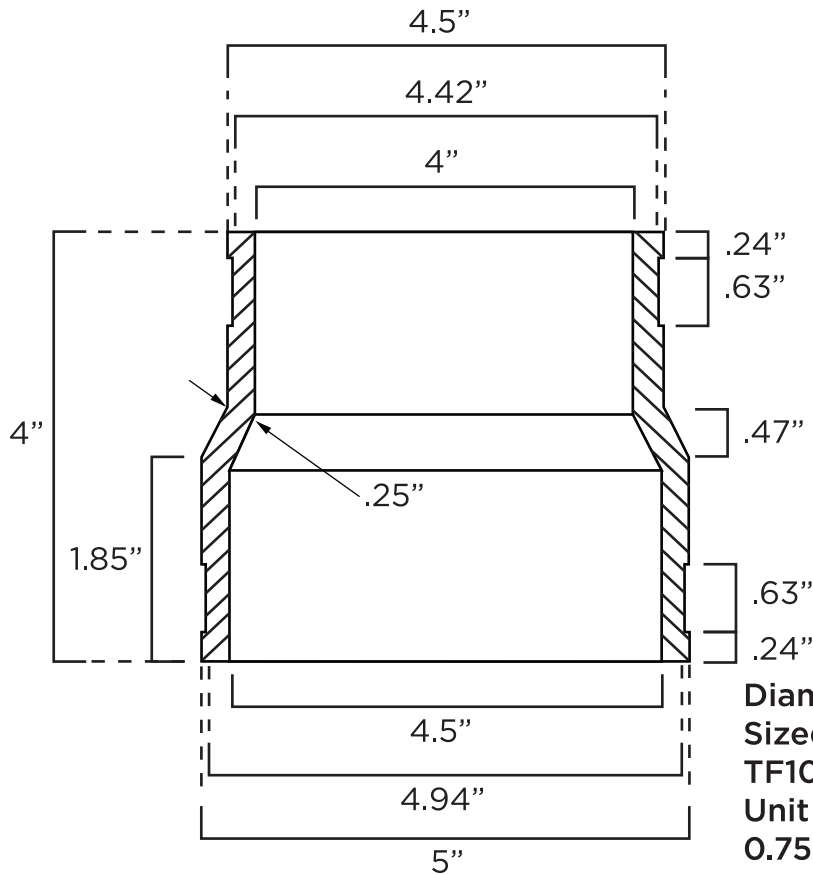
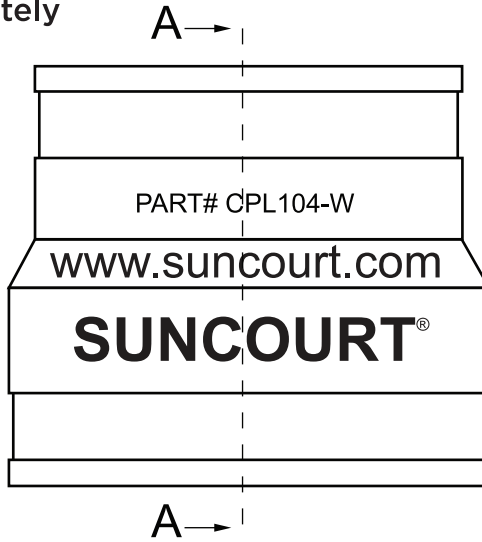
- (4) #8 x 1" Self tapping screws
- (4) #6 X 1/2" Machine screws
- (4) Hex nuts, (4) #6 Lock washers
- (4) Rubber washers
- (2) Fan mounting brackets, (2) Cable ties
- (6) #6 Screws for securing duct connection

MODEL: RDN04



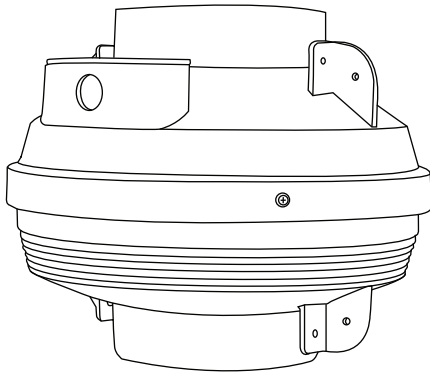
4" RADON MITIGATION FAN KIT

4" to 4" white couplers available in the Suncourt Radon Mitigation In-Line Fan Kit or sold separately in a (2-pack).



Diameter:
Sized to connect Suncourt® TF104 to 4" appropriate PVC
Unit Weight:
0.75 lbs
One year limited warrenty

MODEL: RDN04



Model: RDN04

4" Centrax® In-Line Centrifugal Fan

Includes: (2) 4" to 4" White Rubber Couplers

ETL® Listed

5 Year Limited Warranty

4" Inlet/Outlet Diameter / Overall Diameter 10"

Made In China

Primary UOM: EA

Shipping Multiple: 1

PERFORMANCE:

CFM	Watts	Amps	Volts	Hz	dBA	Sones	Weight
200	77	0.65	120	60	60	4	5.45lbs

HAZARDOUS MATERIAL INFO:

Not Applicable

CUSTOMS TARIFF CLASSIFICATION:

HS Code	Country of Origin	NAFTA Preference Criterion	NAFTA Producer Index
8414596060	China		No

PACKAGING METRICS:

	UPC / SCC	WIDTH (in)	HEIGHT (in)	DEPTH (in)	WEIGHT (lbs)
Unit (1qty):	066028034014	10.50	16.25	10.50	9.25
Master Case (1 qty):	40066028034012	10.50	16.25	10.50	9.25

MODEL: RDN04