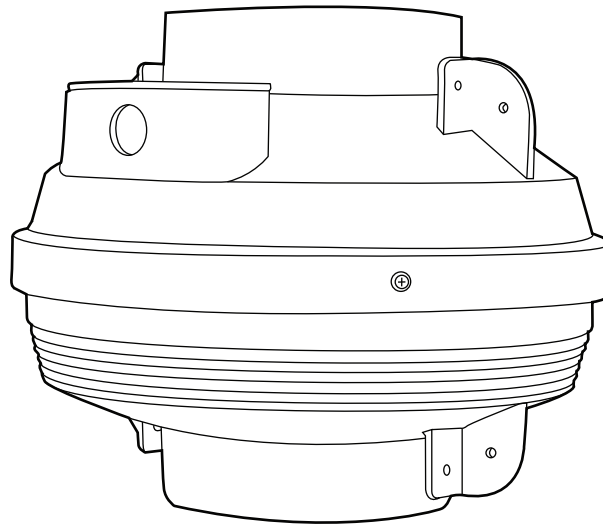
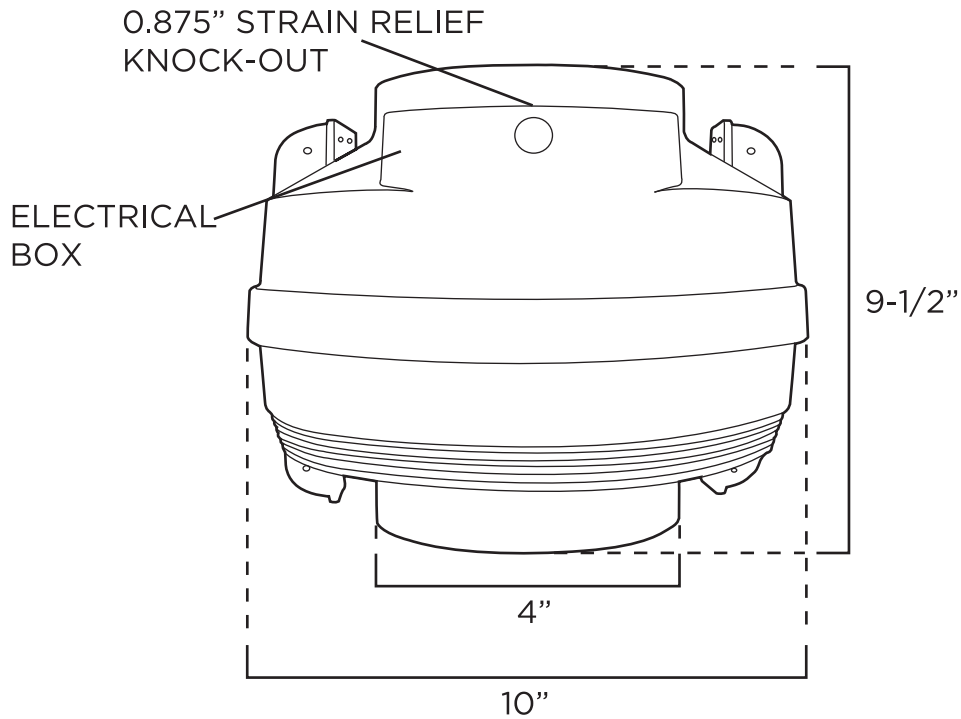




# RADON FAN MITIGATION KIT

N.T.S.



### Mounting Hardware:

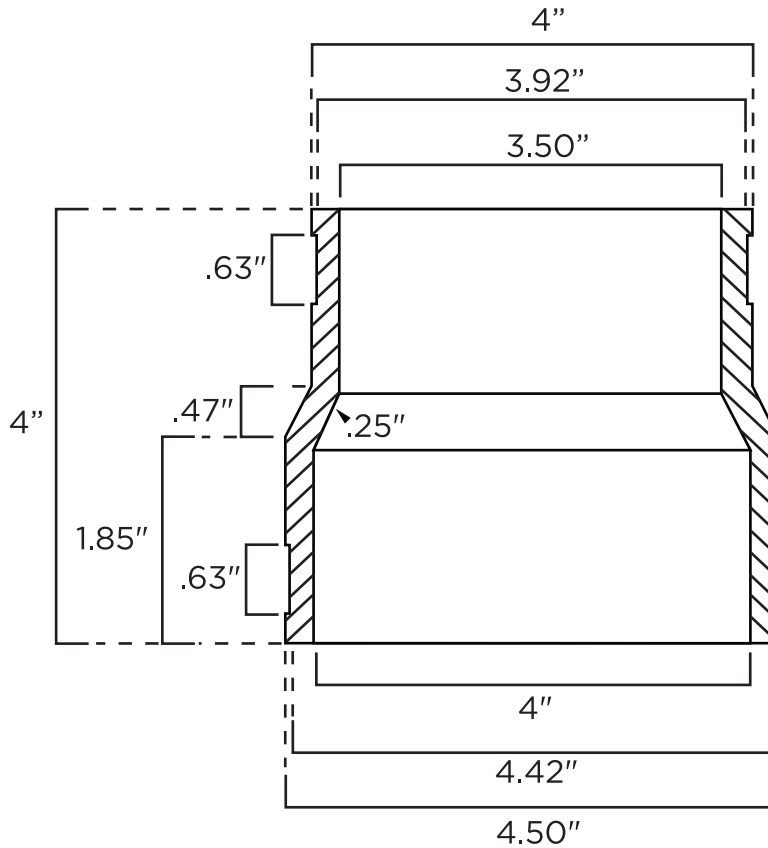
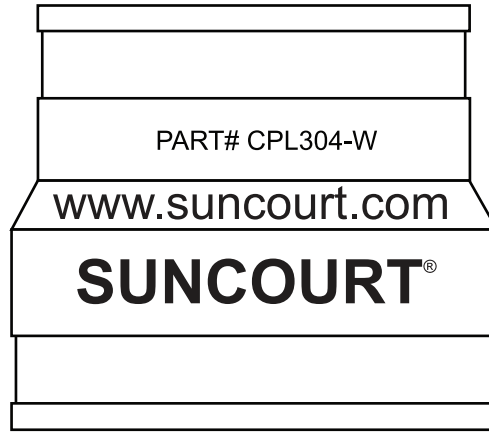
- (4) #8 x 1" Self tapping screws
- (4) #6 X 1/2" Machine screws
- (4) Hex nuts, (4) #6 Lock washers
- (4) Rubber washers
- (2) Fan mounting brackets, (2) Cable ties
- (6) #6 Screws for securing duct connection

**MODEL: RDN04-3**



# RADON FAN MITIGATION KIT

N.T.S.



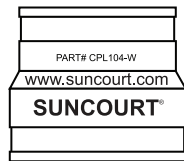
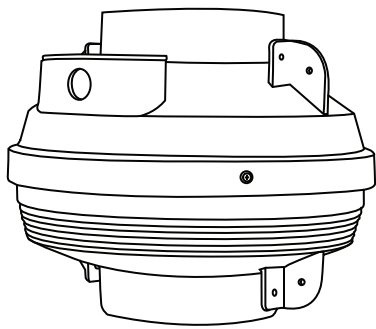
3" to 4" white couplers available in the Suncourt Radon Mitigation In-Line Fan Kit or sold separately in a (2-pack).

DIAMETER: SIZED TO CONNECT SUNCOURT TF104(-W) TO 3" APPROPRIATE PVC

UNIT WEIGHT: 0.65 LBS

ONE YEAR LIMITED WARRANTY

## MODEL: RDN04-3



**Model: RDN04-03**  
**4" Centrax® In-Line Centrifugal Fan**  
**Includes: (2) 4" to 3" White Rubber Couplers**  
 Class F external rotor motor  
 Thermally protected auto reset  
 Ball bearing balanced ABS backward inclined impeller  
 ETL® Listed  
 5 Year Limited Warranty  
 4" Inlet/Outlet Diameter /  
 Overall Diameter 10"  
 Made In USA  
 Primary UOM: EA  
 Shipping Multiple: 1

**PERFORMANCE:**

CFM	Watts	Amps	Volts	Hz	dBA	Sones	Weight
200	77	0.65	120	60	60	4	5.45lbs

**HAZARDOUS MATERIAL INFO:**

Not Applicable

**CUSTOMS TARIFF CLASSIFICATION:**

HS Code	Country of Origin	NAFTA Preference Criterion	NAFTA Producer Index
8414519090	U.S.A		

**PACKAGING METRICS:**

	UPC / SCC	WIDTH (in)	HEIGHT (in)	DEPTH (in)	WEIGHT (lbs)
Unit:	066028034021	10.50	16.25	10.50	9.00
Master Case:	NA	10.50	16.25	10.50	9.00

**MODEL: RDN04-3**