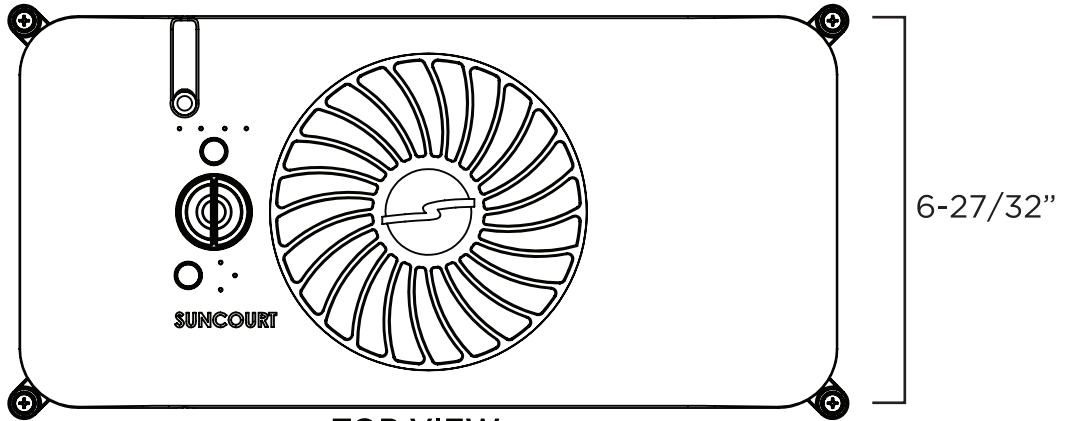
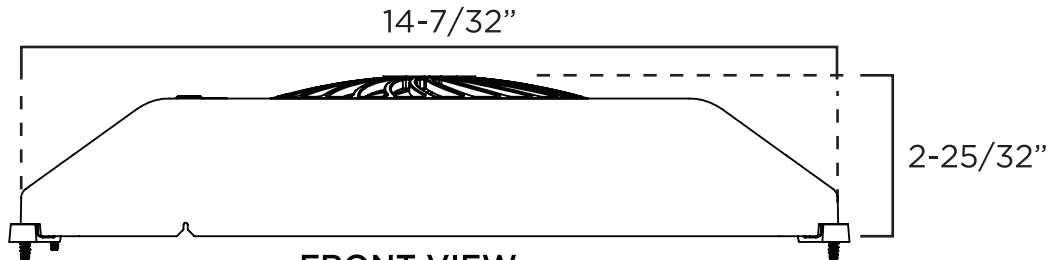




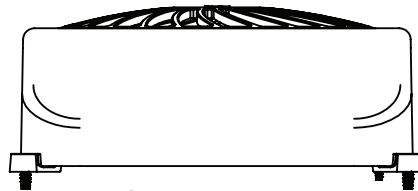
**BOOSTS AIRFLOW TO ROOMS
THAT ARE TOO HOT OR TOO COLD**



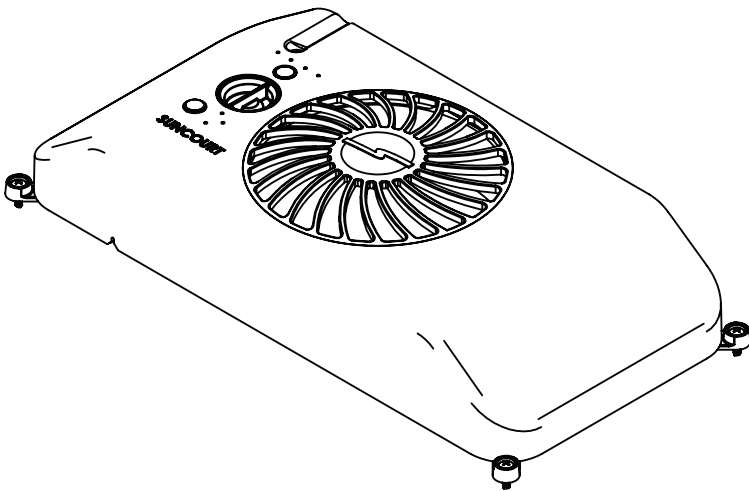
TOP VIEW



FRONT VIEW



SIDE VIEW



INCLUDES:

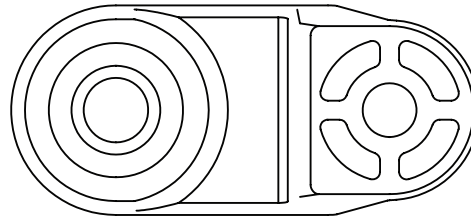
- 4 - wall mounting feet
- 4 - #6 pan head Phillips drive sheet metal screws, 1" long as measured from the bottom of the pan head. *(for wall anchors)*
- 4 - Wall anchor size: #6 wall anchors, plastic, 7/8" long.
- 4 - #6-16 pan head Philips drive thread cutting screws, 3/8" long *(for mounting feet to the HC600 unit)*

MODEL: HC600-WK

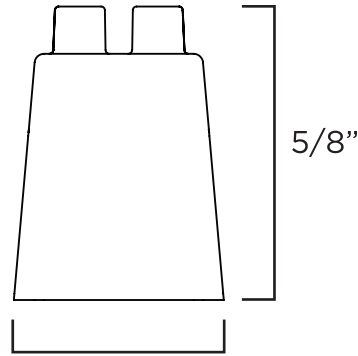


N.T.S.

**BOOSTS AIRFLOW TO ROOMS
THAT ARE TOO HOT OR TOO COLD**

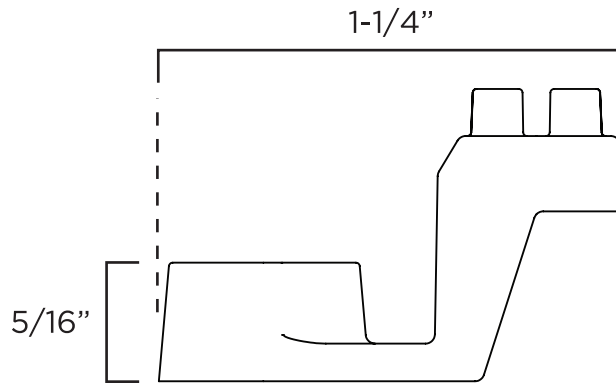


TOP VIEW

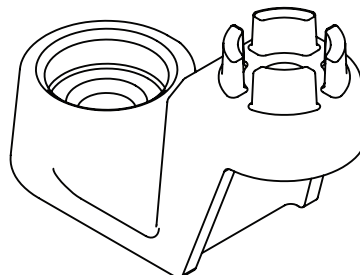


1/2"

FRONT VIEW



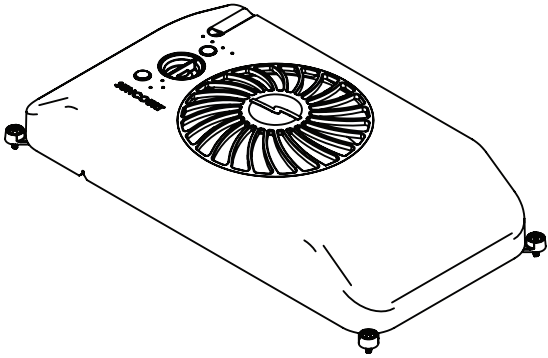
SIDE VIEW



MODEL: HC600-WK

SUNCOURT INC. | P.O. Box 40 | Durant, IA 52747-0040 | 1.800.999.FANS (3267) | suncourt.com

HC600-WK-SS-DS-0421



Model #: HC600-WK
Fits over floor or wall registers up to 6"x12"
Comes with wall mount kit
6' power cord adapter
3 Year Limited Warranty
Assembled in USA
Primary UOM: EA
Shipping Multiple: 8

Model	Unit Weight	Volts	Cord Length
HC600-WK	1.50 lbs.	12Vdc 500 mA	6'

FAN SPEED	1	2	3	4	5	6	7	8
CFM	63	88	110	141	163	179	191	203
DBA	<50	<50	<50	53.6	55.5	57.7	59.5	61.7
WATTS	1.1	1.8	2.6	4.2	5.8	8.0	10.2	12.3
ROOM SQ. FT.	65-95	95-130	115-165	150-210	175-240	190-265	200-285	215-305

HAZARDOUS MATERIAL INFO:

Not Applicable

CUSTOMS TARRIFF CLASSIFICATION:

HS Code	Country of Origin	NAFTA Preference Criterion	NAFTA Producer Index
8414519090	Assembled in USA	B	Y

PACKAGING METRICS:

	UPC / SCC	WIDTH (in)	HEIGHT (in)	DEPTH (in)	WEIGHT (lbs)
Unit (1qty):	066028006080	15.00	7.00	3.00	2.35
Master Case (8qty):	40066028006088	15.63	14.63	12.63	21.30

MODEL: HC600-WK