

CENTRA SENSE[®]
DEDPV CLOTHES DRYER BOOSTER

DEDPV DRYER BOOSTER KIT



SOLVE RESIDENTIAL ELECTRIC DRYER VENT PROBLEMS.

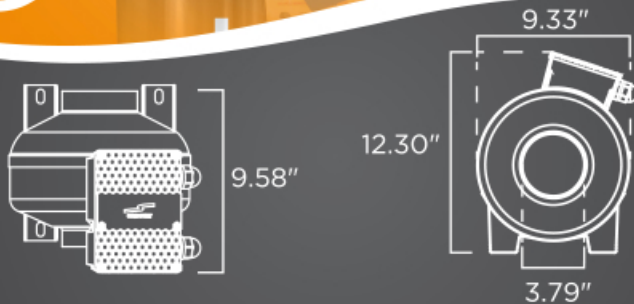




#DRM04



Want to learn more?



WARNING - NOT FOR USE WITH COMMERCIAL / HIGH VELOCITY DRYERS!

The Centrasense® 4" DEDPV Dryer Booster Fan Kit is designed to mitigate underperforming electric dryer duct systems while conforming to the highest standards for performance, safety and error notification.

- UL705 Dryer Exhaust Duct Power Ventilator (DEDPV) performance certified
- **Meets the IRC2015 building code**
- Our unique system uses a low-voltage clip-on current sensor for reliable dryer interlock with minimal installation effort and time.
- Auto on and off function allows for maximum efficiency
- Shorter drying time and reduced lint build-up.
- Clean-out Sleeves included to make periodic cleaning quick and easy
- For use in a duct with a total equivalent length of 25 feet to 100 feet.

FAN SPECS

Model	Duct Dia.	Amps	Watts	Volts	Hz
DRM04	4"	0.84	97	120	60

FAN PERFORMANCE

Static Pressure Inches Water Column	Airflow in CFM								
	0.0"	0.2"	0.4"	0.6"	0.8"	1"	1.2"	1.4"	1.6"
DRM04	205	180	165	150	135	115	90	60	35

PLANNING YOUR DUCT RUN

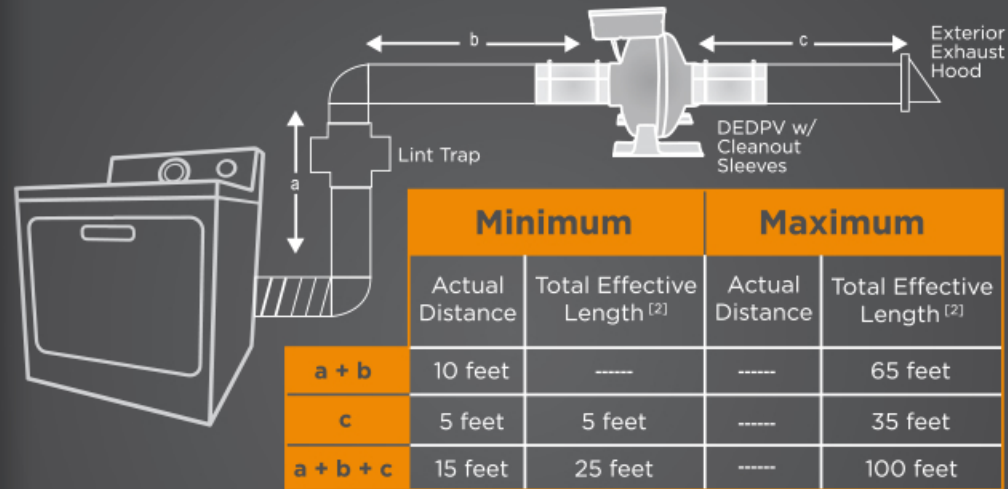
Notes:

- (1) Lint trap is required if (a+b) < 15 feet actual distance. Lint trap will also reduce the frequency of required periodic cleaning of the DEDPV.
- (2) For total effective length (TEL), add 10 feet for each short sweep elbow, add 5 feet for each long sweep elbow, and double the length of flexible duct used.

Minimizing the total effective length (TEL) of (a+b) will ensure reliable shutdown of the DEDPV in the event of an overheating duct condition. Minimizing the total effective length (TEL) of c will ensure accurate low airflow alarm indication in the event of a vent blockage.

Use the diagram and chart below to find the optimum position for your DEDPV within the duct system.

Observe the minimum and maximum allowable distances.



DRM04 Kit Contains:

- (x1) TFM04 4" corded metal centrifugal fan with monitor
- (x1) TFR100 remote operation indicator
- (x1) English and French TFR100 warning card
- (x35') of 22 gauge 5-conductor wire
- (x1) CS100 clip-on clothes dryer current sensor with 6' cord
- (x2) 4" metal cleanout sleeves with band clamps
- (x4) self-adhesive foam strips (to limit vibration transferred to ductwork)

Screwpack Contents:

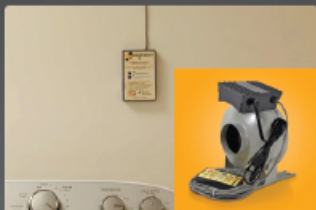
- (x4) 1/4" x 1 1/2" lag bolts (mounting the fan)
- (x4) 1/4" washers (mounting the fan)
- (x4) 3/8" rubber grommets (lag bolt vibration isolation)
- (x2) 6-32 x 1 1/2" machine screws (for mounting remote indicator to electrical box)
- (x2) #6 x 1 1/2" sheet-metal screws (for mounting remote indicator flush to drywall)
- (x2) #6 7/8" long wall anchors (for mounting remote indicator flush to drywall)
- (x3) self-adhesive cord clips (for securing low-voltage signal wiring)

HASSLE FREE INSTALLATION



STEP 1

Mount dryer booster fan and connect to ductwork using the cleanout sleeves.



STEP 2

Mount the Remote Operation Indicator Panel. *Indicator Panel is pre-wired to the fan by the manufacturer*



STEP 3

Disconnect power to clothes dryer & clip current sensor onto a hot conductor in the dryer wiring compartment.



STEP 4

Tuck the current sensor back into the compartment.



STEP 5

Replace panel cover ensuring current sensor wire is not pinched or damaged.



STEP 6

Plug the current sensor wire into the jack on the Remote Indicator Panel.



STEP 7

Re-connect power to dryer and plug booster fan into standard outlet.