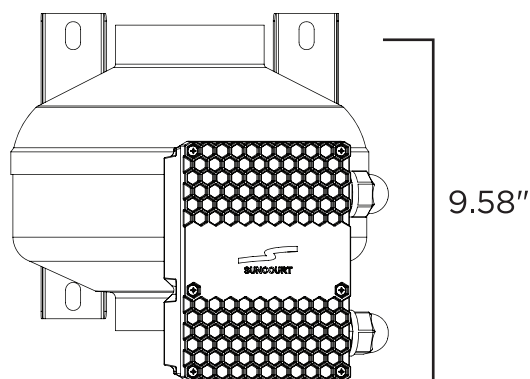


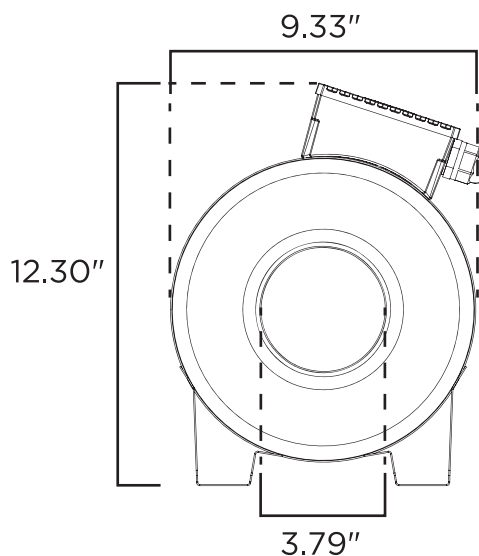


CENTRASENSE[®]
 DEDPV CLOTHES DRYER BOOSTER

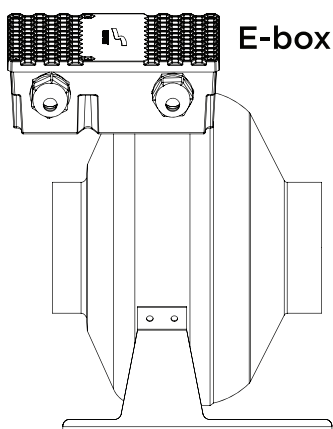
SOLVES RESIDENTIAL ELECTRIC DRYER VENT PROBLEMS



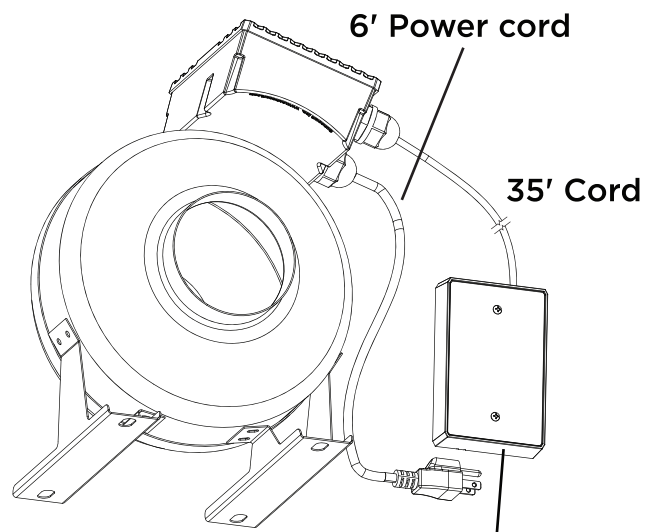
TOP VIEW



FRONT VIEW



SIDE VIEW



REMOTE OPERATION INDICATOR

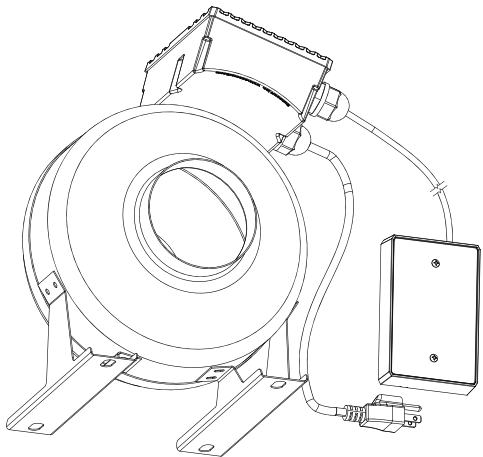
FAN SPECS

CFM	Duct Dia.	Amps	Watts	Volts	Hz
205	4"	0.84	97	120	60

- Certified to the DEDPV supplement of UL705 & CSA22.2.113
- 158°F/70°C air temperature rating
- Thermal overload and high temperature limit protection
- External rotor motor for quiet operation
- 5 Year limited warranty



MODEL: DRM04



Key Features of the Dryer Exhaust Duct Power Ventilator (DEDPV)

Designed to mitigate under-performing electric dryer duct systems while conforming to the highest standards for performance, safety and error notification.

- DRM04 is certified to the DEDPV supplement of the UL705 & CSA22.2.113
- Meets IRC2015 and IMC2018 Building Code Requirements
- Low-voltage clip-on current sensor for hassle-free installation and reliable dryer interlock
- LED Remote Operation Indicator Panel shows duct system and fan status at a glance
- Duct cleanout sleeves for periodic inspection/cleaning without removing the fan
- Uses Suncourt's patented Centrasense

OPERATION INDICATOR PANEL FUNCTIONALITIES:



Monitor Performance

On Delay: 3 second
 Off Delay: 10 second
 Error Indication: ≤ 2 seconds

Visual Indications

- Low airflow
- Low RPM / high temperature limit
- Current sensor unplugged

HAZARDOUS MATERIAL INFO:

Not Applicable

CUSTOMS TARIFF CLASSIFICATION:

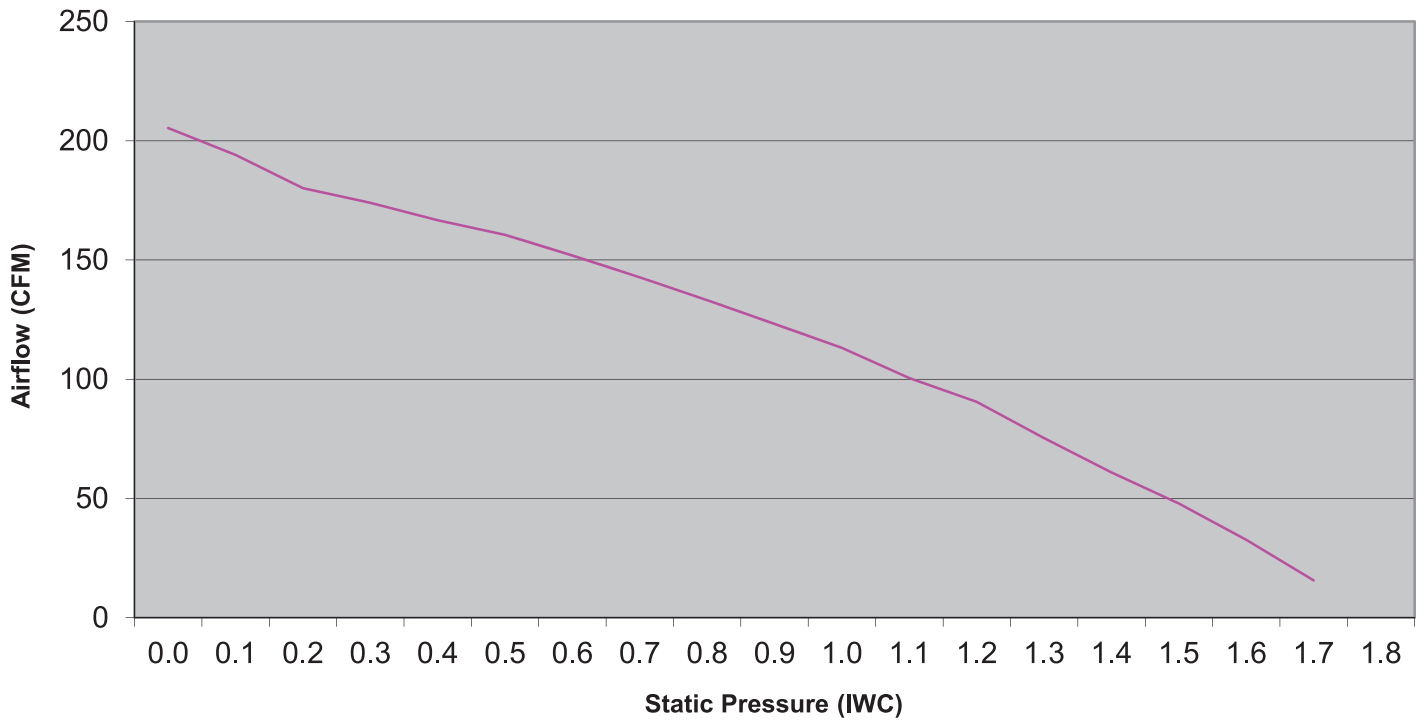
HS Code	Country of Origin	NAFTA Preference Criterion	NAFTA Producer Index
8414596560	Assembled in USA	B	Y

PACKAGING METRICS:

	UPC / SCC	WIDTH (in)	HEIGHT (in)	DEPTH (in)	WEIGHT (lbs)
Unit/Master Case:	066028034076	18.00	15.00	11.50	15.25

MODEL: DRM04

CFM vs. Static Pressure: DRM04 - Exhaust



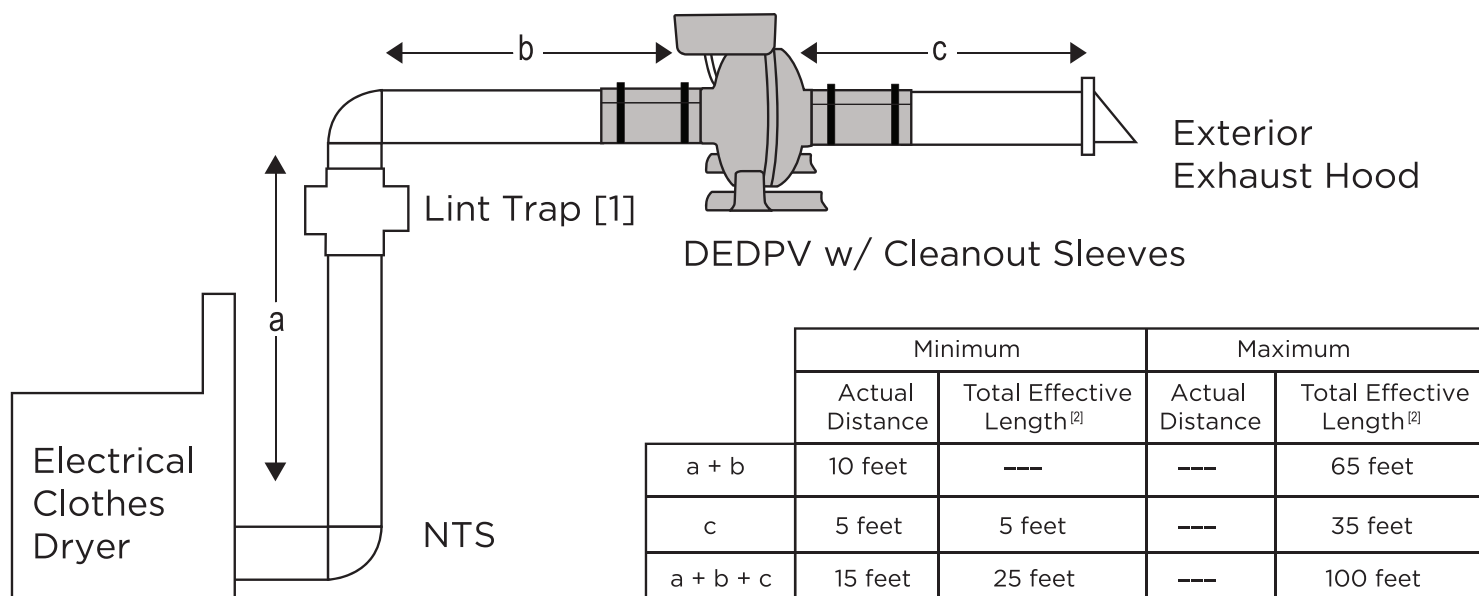
FAN PERFORMANCE

Static Pressure Inches Water Column	Airflow in CFM								
	0.0"	0.2"	0.4"	0.6"	0.8"	1"	1.2"	1.4"	1.6"
DRM04	205	180	165	150	135	115	90	60	35

MODEL: DRM04

PLANNING YOUR DUCT RUN

Use the diagram and chart below to find the optimum position for your DEDPV within the duct system. **Observe the minimum and maximum allowable distances.**



Notes:

(1) Lint trap is required if (a+b) < 15 feet actual distance. Lint trap will also reduce the frequency of required periodic cleaning of the DEDPV.

(2) For total effective length (TEL), add 10 feet for each short sweep elbow, add 5 feet for each long sweep elbow, and double the length of flexible duct used.

Minimizing the total effective length (TEL) of (a+b) will ensure reliable shutdown of the DEDPV in the event of an overheating duct condition.

Minimizing the total effective length (TEL) of c will ensure accurate low airflow alarm indication in the event of a vent blockage.

DRM04 Kit Contains:

- (x1) TFM04 4" corded metal centrifugal fan with monitor
- (x1) TFR100 remote operation indicator
- (x1) English and French TFR100 warning card
- (x35') of 22 gauge 5-conductor wire
- (x1) CS100 clip-on clothes dryer current sensor with 6' cord
- (x2) 4" metal cleanout sleeves with band clamps
- (x4) self-adhesive foam strips (to limit vibration transferred to ductwork)

Screwpack Contents:

- (x4) 1/4" x 1 1/2" lag bolts (mounting the fan)
- (x4) 1/4" washers (mounting the fan)
- (x4) 3/8" rubber grommets (lag bolt vibration isolation)
- (x2) 6-32 x 1 1/2" machine screws (for mounting remote indicator to electrical box)
- (x2) #6 x 1 1/2" sheet-metal screws (for mounting remote indicator flush to drywall)
- (x2) #6 7/8" long wall anchors (for mounting remote indicator flush to drywall)
- (x3) self-adhesive cord clips (for securing low-voltage signal wiring)