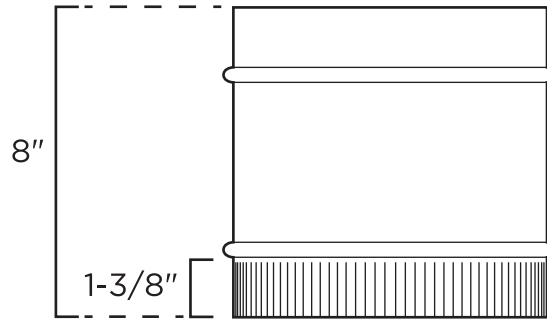


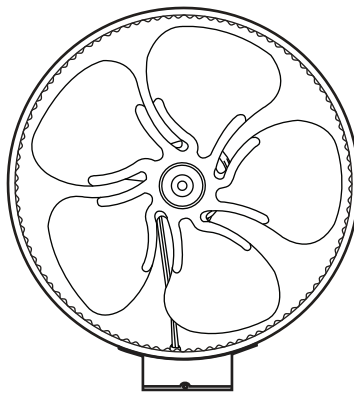


N.T.S.

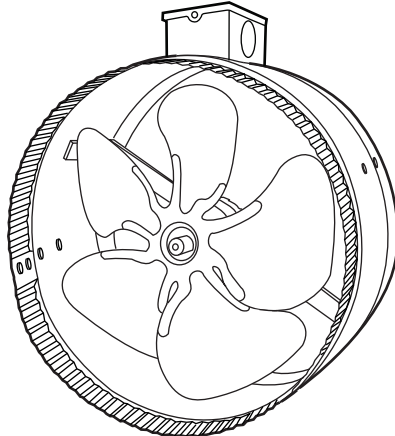
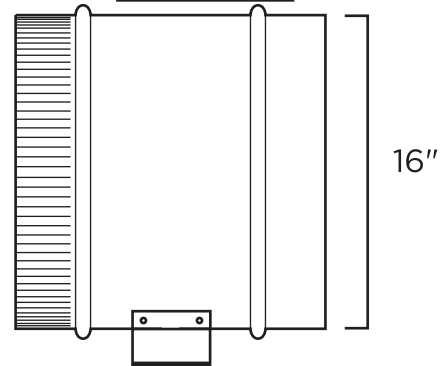
TOP VIEW



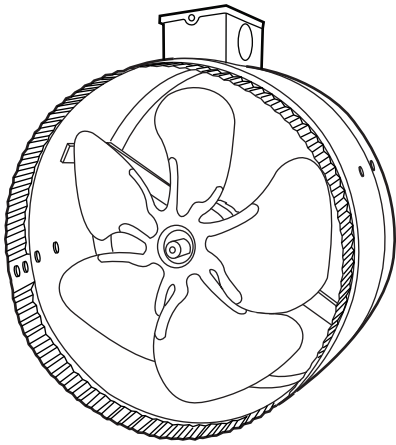
FRONT VIEW



SIDE VIEW



MODEL: DB416E



Model: DB416E

16" 4-Pole Inductor® In-Line Duct Fan™

180 Running Watts, 1.57 Amps, 120 VAC, 60 Hz

UL® Listed Thermally Protected Motor

1 Year Limited Warranty

16" Diameter

Blade Type: Aluminum

Assembled in the USA

Primary UOM: EA

Shipping Multiple: 1

PERFORMANCE:

Max Boosted CFM	Free Air CFM	Watts	Amps	Volts	Hz	dBA	Sones	Unit Weight
1760	1100	180	1.57	120	60	54	2.8	7.50lbs

HAZARDOUS MATERIAL INFO:

Not Applicable

CUSTOMS TARIFF CLASSIFICATION:

HS Code	Country of Origin	NAFTA Preference Criterion	NAFTA Producer Index
8414596090	USA	B	Y

PACKAGING METRICS:

	UPC / SCC	WIDTH (in)	HEIGHT (in)	DEPTH (in)	WEIGHT (lbs)
Unit (1qty):	066028000910	17.00	17.75	8.50	7.50
Master Case (1qty):	40066028004169	17.00	17.75	8.50	7.50

MODEL: DB416E