

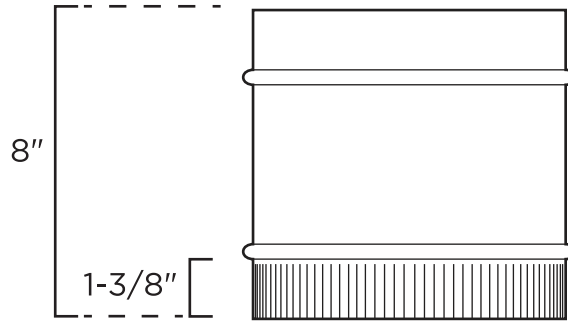


# INDUCTOR<sup>®</sup>

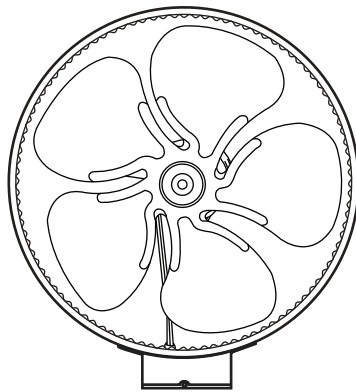
IN-LINE BOOSTER FAN

N.T.S.

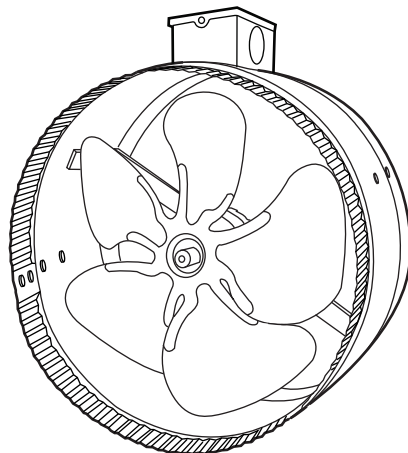
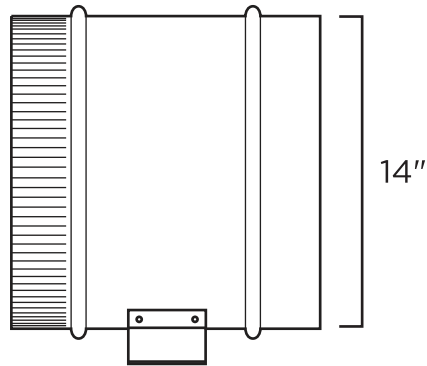
TOP VIEW



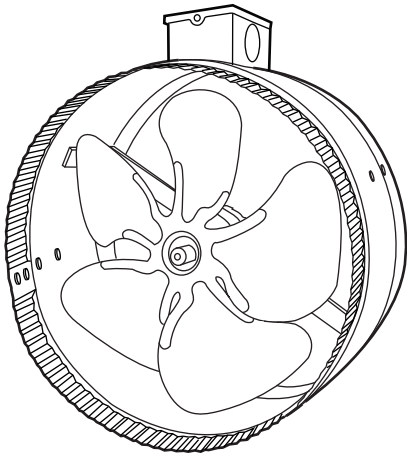
FRONT VIEW



SIDE VIEW



**MODEL: DB414E**



**Model: DB414E**

**14" 4-Pole Inductor® In-Line Duct Fan™**

**180 Running Watts, 1.57 Amps, 120 VAC, 60 Hz**

**UL® Listed Thermally Protected Motor**

**1 Year Limited Warranty**

**14" Diameter**

**Blade Type: Aluminum**

**Assembled in the USA**

**Primary UOM: EA**

**Shipping Multiple: 1**

**PERFORMANCE:**

Max Boosted CFM	Free Air CFM	Watts	Amps	Volts	Hz	dBA	Sones	Unit Weight
1580	900	180	1.57	120	60	61	4.4	5.70lbs

**HAZARDOUS MATERIAL INFO:**

Not Applicable

**CUSTOMS TARIFF CLASSIFICATION:**

HS Code	Country of Origin	NAFTA Preference Criterion	NAFTA Producer Index
8414596090	USA	B	Y

**PACKAGING METRICS:**

	UPC / SCC	WIDTH (in)	HEIGHT (in)	DEPTH (in)	WEIGHT (lbs)
Unit (1qty):	066028014146	17.00	17.75	8.50	6.75
Master Case (1qty):	40066028014144	17.00	17.75	8.50	6.75

**MODEL: DB414E**