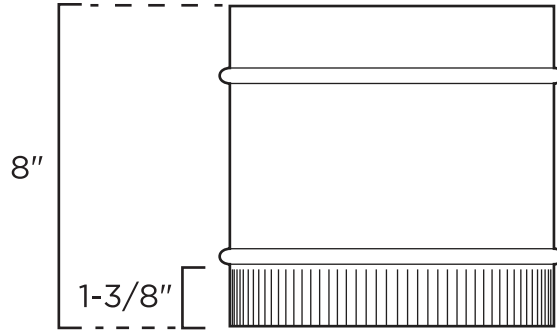


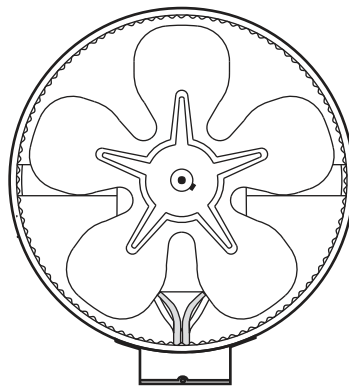


N.T.S.

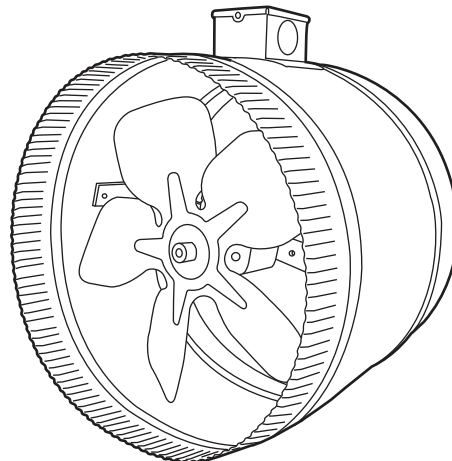
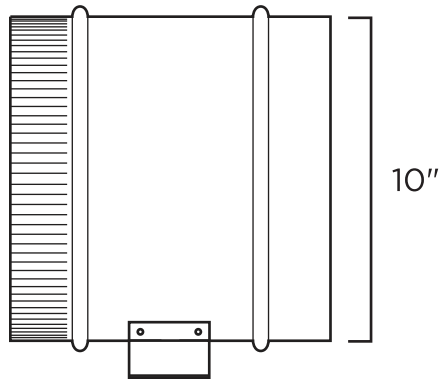
TOP VIEW



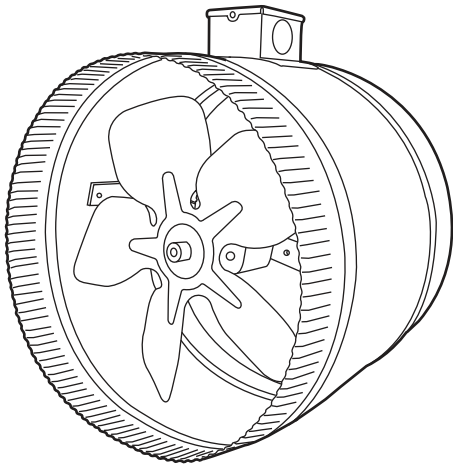
FRONT VIEW



SIDE VIEW



**MODEL: DB310E**



**Model: DB310E**

**10" 2-Speed Inductor® In-Line Duct Fan™**

**135 Running Watts, 1.70 Amps, 120 VAC, 60 Hz**

**UL® Listed Thermally Protected Motor**

**1 Year Limited Warranty**

**10" Diameter**

**Blade Type: Aluminum**

**Assembled in the USA**

**Primary UOM: EA**

**Shipping Multiple: 2**

**PERFORMANCE:**

Max Boosted CFM	Free Air CFM	Watts	Amps	Volts	Hz	dBA	Sones	Unit Weight
900	300/460	135	1.70	120	60	56/59	3.8	4.20lbs

**HAZARDOUS MATERIAL INFO:**

Not Applicable

**CUSTOMS TARIFF CLASSIFICATION:**

HS Code	Country of Origin	NAFTA Preference Criterion	NAFTA Producer Index
8414596090	USA	B	Y

**PACKAGING METRICS:**

	UPC / SCC	WIDTH (in)	HEIGHT (in)	DEPTH (in)	WEIGHT (lbs)
Unit (1qty):	066028000880	8.50	10.75	10.50	4.75
Master Case (2qty):	40066028000888	17.50	11.25	10.75	10.75

**MODEL: DB310E**