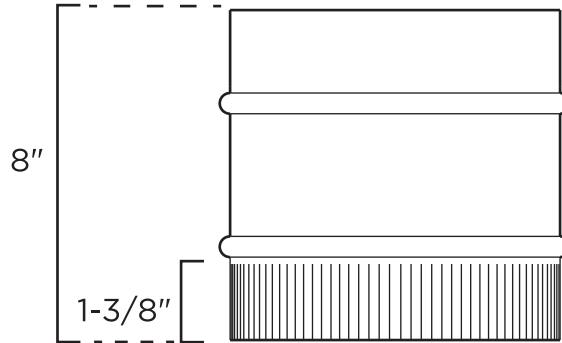


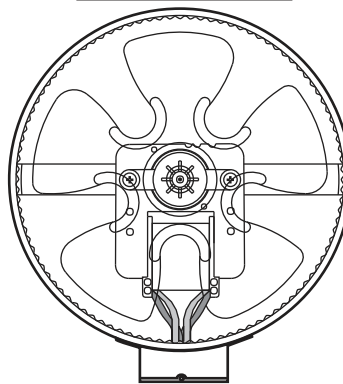


N.T.S.

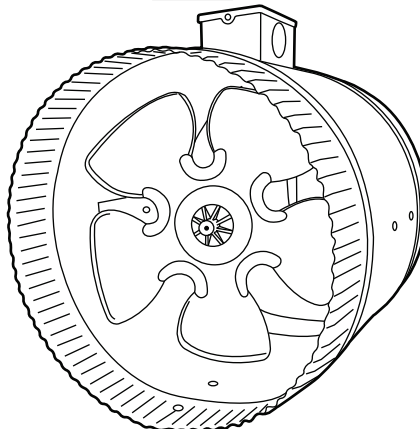
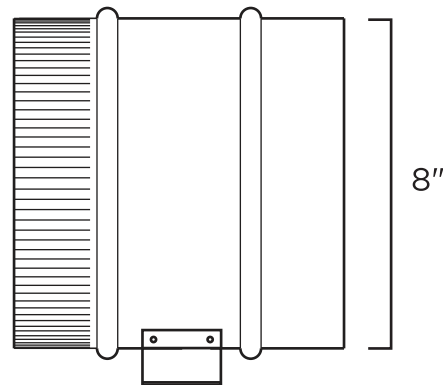
TOP VIEW



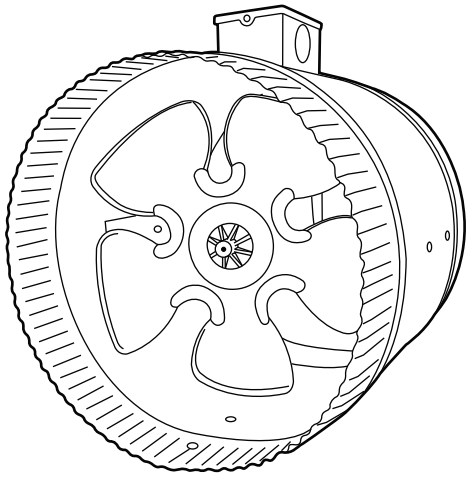
FRONT VIEW



SIDE VIEW



MODEL: DB308E



Model: DB308E

8" 2-Speed Inductor® In-Line Duct Fan™

60 Running Watts, 0.85 Amps, 120 VAC, 60 Hz

UL® Listed Thermally Protected Motor

1 Year Limited Warranty

8" Diameter

Blade Type: Polycarbonate

Assembled in the USA

Primary UOM: EA

Shipping Multiple: 4

PERFORMANCE:

Max Boosted CFM	Free Air CFM	Watts	Amps	Volts	Hz	dBA	Sones	Unit Weight
600	210/250	60	0.85	120	60	50/55	3	3.00lbs

HAZARDOUS MATERIAL INFO:

Not Applicable

CUSTOMS TARIFF CLASSIFICATION:

HS Code	Country of Origin	NAFTA Preference Criterion	NAFTA Producer Index
8414596090	USA	B	Y

PACKAGING METRICS:

	UPC / SCC	WIDTH (in)	HEIGHT (in)	DEPTH (in)	WEIGHT (lbs)
Unit (1qty):	066028000873	9.00	8.75	8.50	3.50
Master Case (2qty):	40066028000871	8.75	18.25	19.00	15.00

MODEL: DB308E