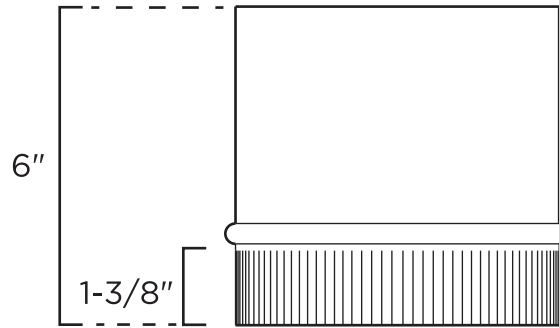


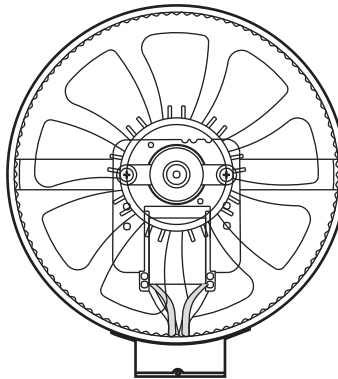


N.T.S.

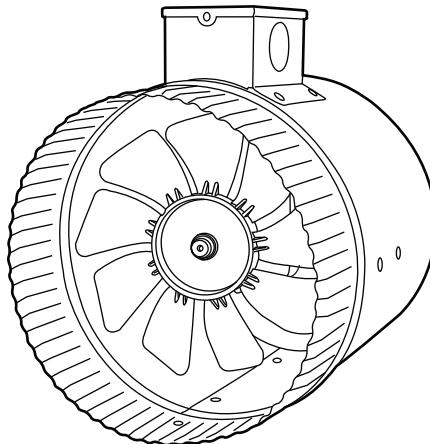
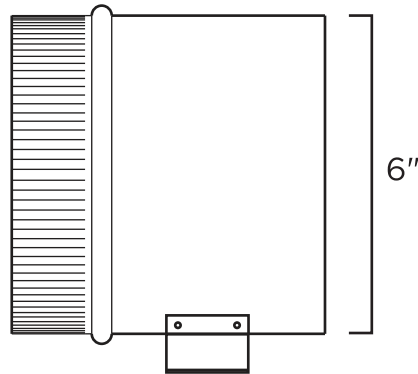
TOP VIEW



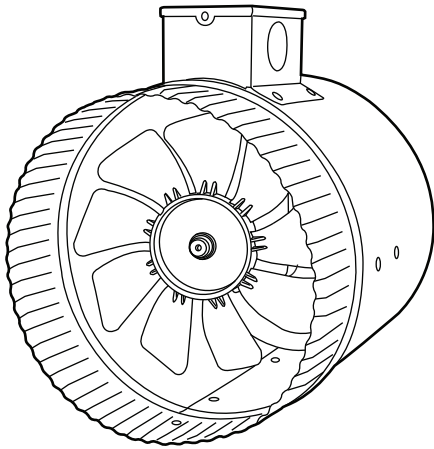
FRONT VIEW



SIDE VIEW



MODEL: DB306E



Model: DB306E

6" 2-Speed Inductor® In-Line Duct Fan™

30 Running Watts, 0.35 Amps, 120 VAC, 60 Hz

UL® Listed Thermally Protected Motor

1 Year Limited Warranty

6" Diameter

Blade Type: Polycarbonate

Assembled in the USA

Primary UOM: EA

Shipping Multiple: 6

PERFORMANCE:

Max Boosted CFM	Free Air CFM	Watts	Amps	Volts	Hz	dBA	Sones	Unit Weight
300	160/180	30	0.35	120	60	50/52	2.4	2.50lbs

HAZARDOUS MATERIAL INFO:

Not Applicable

CUSTOMS TARIFF CLASSIFICATION:

HS Code	Country of Origin	NAFTA Preference Criterion	NAFTA Producer Index
8414596090	USA	B	Y

PACKAGING METRICS:

	UPC / SCC	WIDTH (in)	HEIGHT (in)	DEPTH (in)	WEIGHT (lbs)
Unit (1qty):	066028000866	7.50	6.75	6.50	2.50
Master Case (2qty):	40066028000864	13.00	7.50	23.00	15.50

MODEL: DB306E