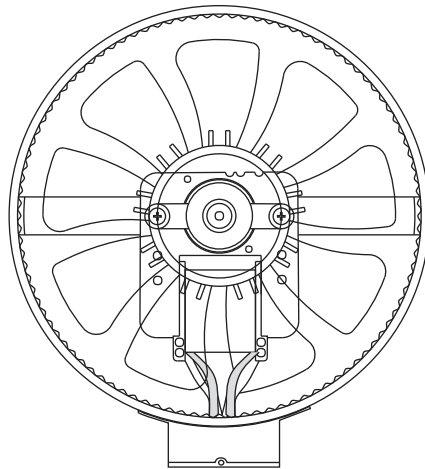
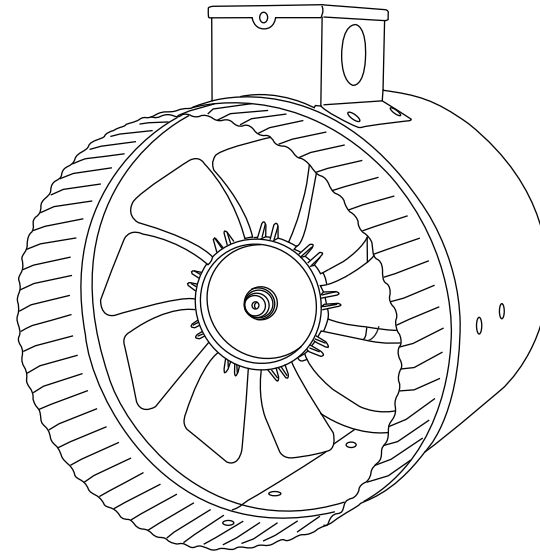
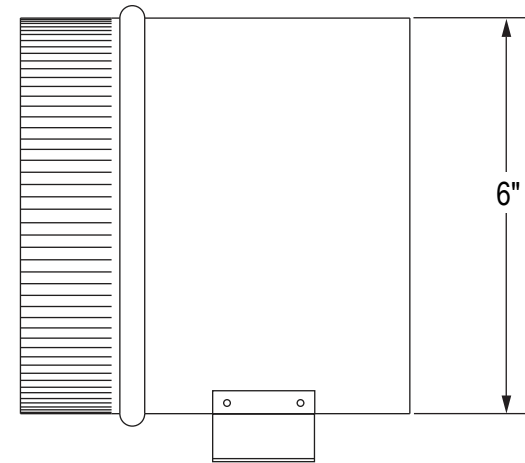


TOP VIEW



FRONT VIEW



SIDE VIEW

N.T.S.



2-SPEED 6" IN-LINE DUCT FAN™

MODEL DB306E

Boosts airflow to rooms that are too hot or too cold.

DUCT DIAMETER: 6" • MAX BOOSTED CFM: 300 • FREE AIR CFM: 160/180
UNIT WEIGHT: 2.50 LBS. • AMPS: 0.35 • VAC: 120 • HZ: 60 • dBA: 50/52
UL® LISTED • THERMALLY PROTECTED MOTOR • HOUSING LENGTH: 8"
BLADE TYPE: POLYCARBONATE • 18 GAUGE WIRE LEADS
ONE YEAR LIMITED WARRANTY

SUNCOURT INC.
P.O. Box 40
Durant, IA 52747-0040
1.800.999.FANS (3267)
www.suncourt.com