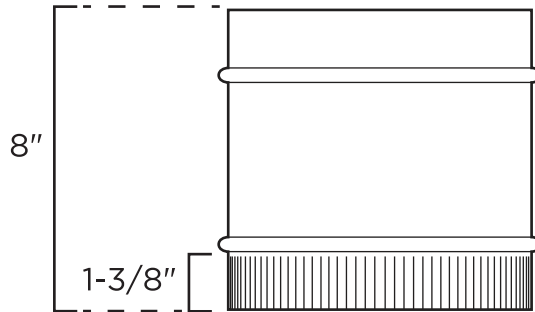


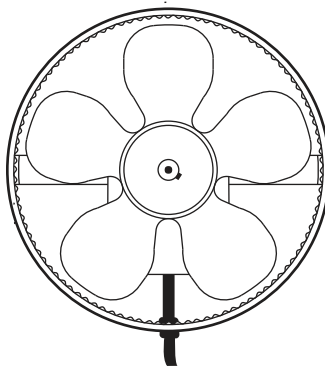


N.T.S.

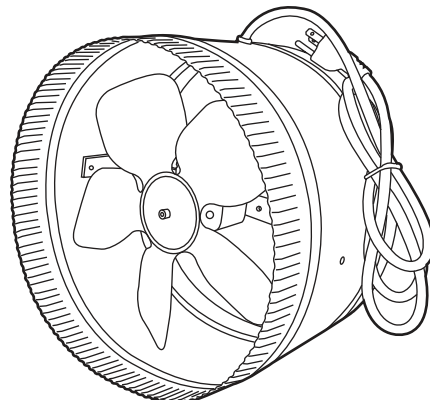
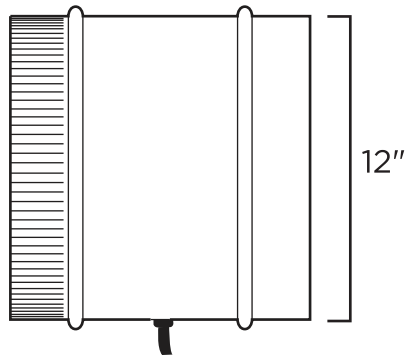
TOP VIEW



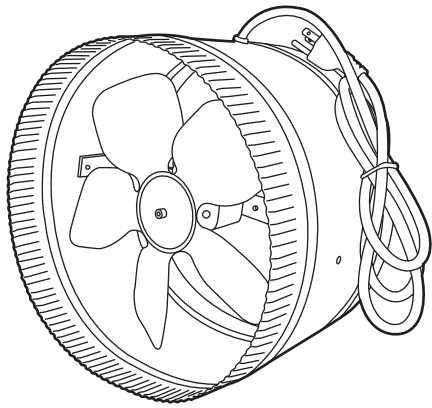
FRONT VIEW



SIDE VIEW



**MODEL: DB212C**



**Model: DB212C**  
**12" Corded Inductor In-Line Duct Fan**  
**120 Running Watts, 1.50 Amps, 120 VAC, 60 Hz**  
**UL® Listed Thermally Protected Motor**  
**1 Year Limited Warranty**  
**12" Diameter**  
**Blade Type: Polycarbonate**  
**Assembled in the USA**  
**Primary UOM: EA**  
**Shipping Multiple: 2**  
**Power Cord Length: 6'**

**PERFORMANCE:**

Max Boosted CFM	Free Air CFM	Watts	Amps	Volts	Hz	dBA	Sones	Unit Weight
800	650	120	1.50	120	60	55	3	5.65lbs

**HAZARDOUS MATERIAL INFO:**

Not Applicable

**CUSTOMS TARIFF CLASSIFICATION:**

HS Code	Country of Origin	NAFTA Preference Criterion	NAFTA Producer Index
8414596090	USA	B	Y

**PACKAGING METRICS:**

	UPC / SCC	WIDTH (in)	HEIGHT (in)	DEPTH (in)	WEIGHT (lbs)
Unit (1qty):	066028000842	8.50	12.75	12.50	6.25
Master Case (2qty):	40066028000840	13.00	13.75	19.25	13.75

**MODEL: DB212C**