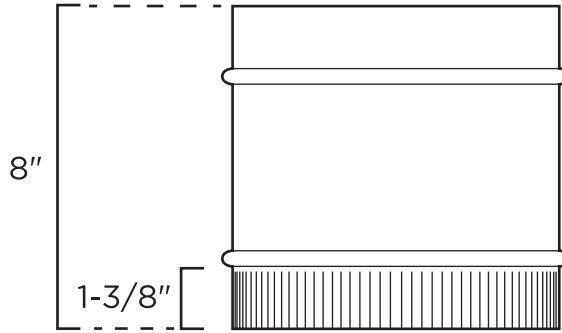


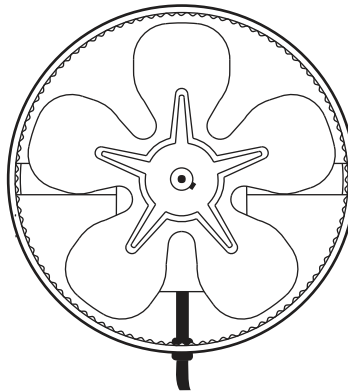


N.T.S.

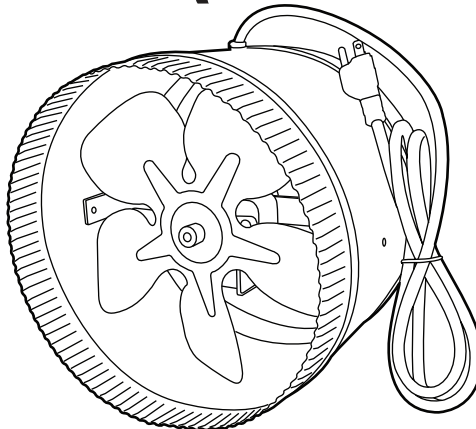
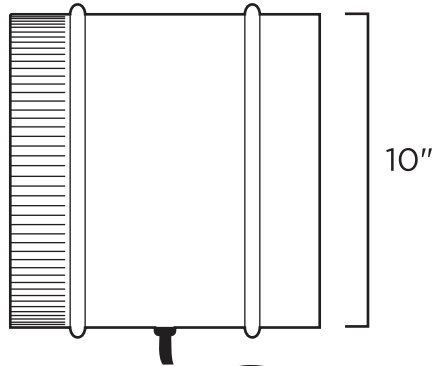
TOP VIEW



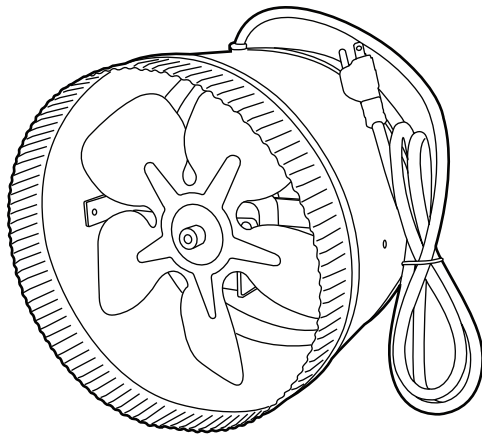
FRONT VIEW



SIDE VIEW



**MODEL: DB210C**



**Model: DB210C**

**10" Corded Inductor In-Line Duct Fan**

**120 Running Watts, 1.50 Amps, 120 VAC, 60 Hz**

**UL® Listed Thermally Protected Motor**

**1 Year Limited Warranty**

**10" Diameter**

**Blade Type: Polycarbonate**

**Assembled in the USA**

**Primary UOM: EA**

**Shipping Multiple: 2**

**Power Cord Length: 6'**

**PERFORMANCE:**

| Max Boosted CFM | Free Air CFM | Watts | Amps | Volts | Hz | dBA | Sones | Unit Weight |
|-----------------|--------------|-------|------|-------|----|-----|-------|-------------|
| 650             | 300          | 120   | 1.50 | 120   | 60 | 55  | 3     | 4.30lbs     |

**HAZARDOUS MATERIAL INFO:**

Not Applicable

**CUSTOMS TARIFF CLASSIFICATION:**

| HS Code    | Country of Origin | NAFTA Preference Criterion | NAFTA Producer Index |
|------------|-------------------|----------------------------|----------------------|
| 8414596090 | USA               | B                          | Y                    |

**PACKAGING METRICS:**

|                     | UPC / SCC      | WIDTH (in) | HEIGHT (in) | DEPTH (in) | WEIGHT (lbs) |
|---------------------|----------------|------------|-------------|------------|--------------|
| Unit (1qty):        | 066028000828   | 8.50       | 10.75       | 10.50      | 5.00         |
| Master Case (2qty): | 40066028000826 | 17.50      | 11.25       | 10.75      | 11.00        |

**MODEL: DB210C**