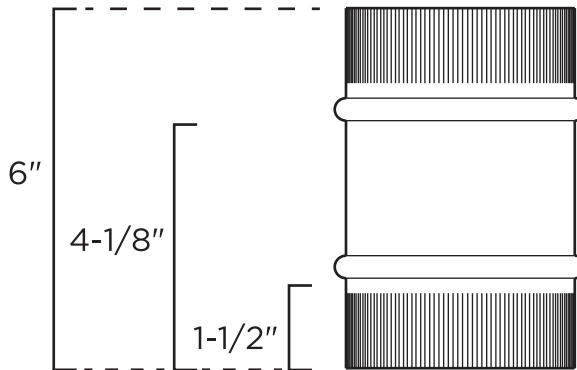
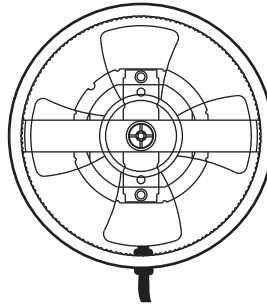




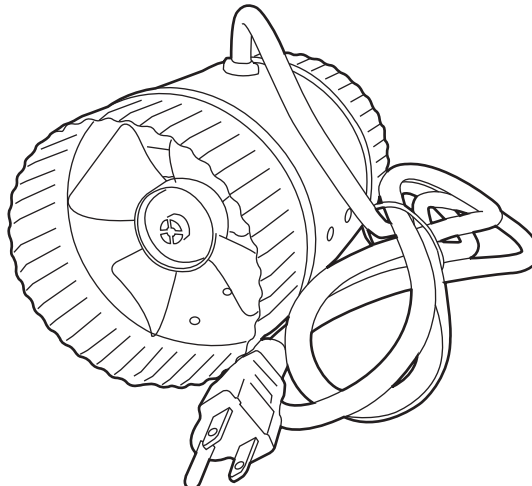
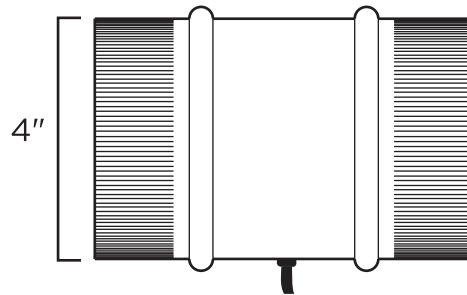
TOP VIEW



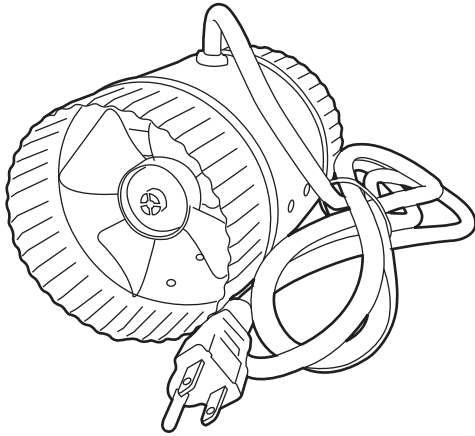
FRONT VIEW



SIDE VIEW



**MODEL: DB204C**



**Model: DB204C**

**4" Corded Inductor In-Line Duct Fan**

**30 Running Watts, 0.30 Amps, 120 VAC, 60 Hz**

**UL® Listed Thermally Protected Motor**

**1 Year Limited Warranty**

**4" Diameter**

**Blade Type: Polycarbonate**

**Assembled in the USA**

**Primary UOM: EA**

**Shipping Multiple: 6**

**Power Cord Length: 6'**

**PERFORMANCE:**

Max Boosted CFM	Free Air CFM	Watts	Amps	Volts	Hz	dBA	Sones	Unit Weight
80	65	30	0.30	120	60	52	2.4	1.45lbs

**HAZARDOUS MATERIAL INFO:**

Not Applicable

**CUSTOMS TARIFF CLASSIFICATION:**

HS Code	Country of Origin	NAFTA Preference Criterion	NAFTA Producer Index
8414596090	USA	B	Y

**PACKAGING METRICS:**

	UPC / SCC	WIDTH (in)	HEIGHT (in)	DEPTH (in)	WEIGHT (lbs)
Unit (1qty):	066028000736	6.25	6.25	6.25	1.75
Master Case (2qty):	40066028000710	19.25	7.25	13.00	11.75

**MODEL: DB204C**