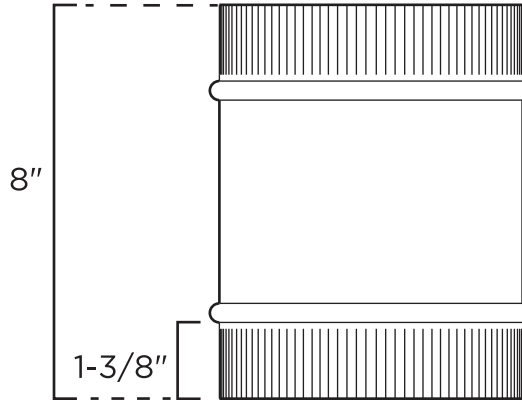


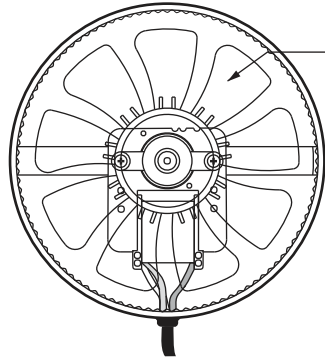


N.T.S.

TOP VIEW

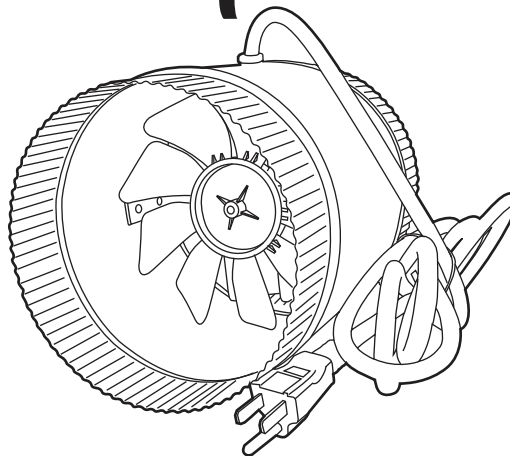
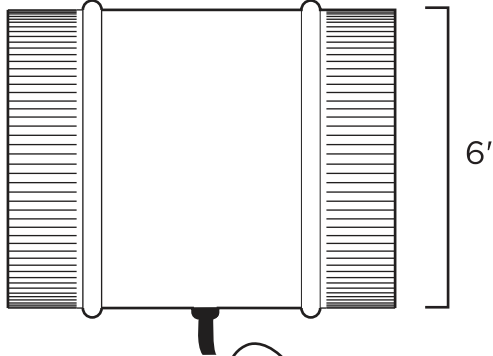


FRONT VIEW

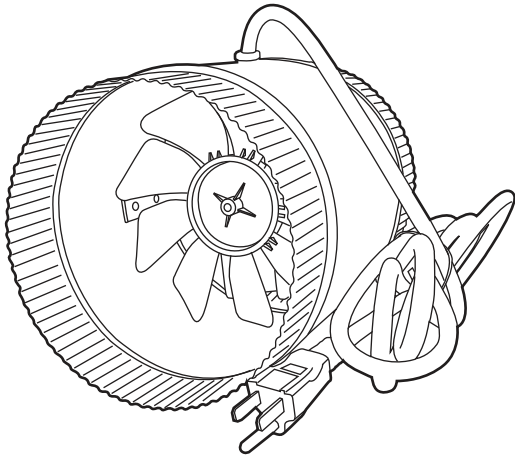


5-1/4" DIA.
POLYCARBONATE
BLADE

SIDE VIEW



MODEL: DB200C



Model: DB200C

6" Inductor In-Line Duct Fan

30 Running Watts, 0.35 Amps, 120 VAC, 60 Hz

UL® Listed Thermally Protected Motor

1 Year Limited Warranty

6" Diameter

Blade Type: Polycarbonate

Assembled in the USA

Primary UOM: EA

Shipping Multiple: 4

Power Cord Length: 6'

PERFORMANCE:

Max Boosted CFM	Free Air CFM	Watts	Amps	Volts	Hz	dBA	Sones	Unit Weight
250	160	30	0.35	120	60	50	2.2	2.50lbs

HAZARDOUS MATERIAL INFO:

Not Applicable

CUSTOMS TARIFF CLASSIFICATION:

HS Code	Country of Origin	NAFTA Preference Criterion	NAFTA Producer Index
8414596090	USA	B	Y

PACKAGING METRICS:

	UPC / SCC	WIDTH (in)	HEIGHT (in)	DEPTH (in)	WEIGHT (lbs)
Unit (1qty):	066028000729	7.50	8.25	6.25	2.50
Master Case (2qty):	40066028000727	15.50	9.00	13.00	11.50

MODEL: DB200C