



DRYER BOOSTING KIT™

SOLVE RESIDENTIAL, COMMERCIAL & INDUSTRIAL DRYER VENT PROBLEMS

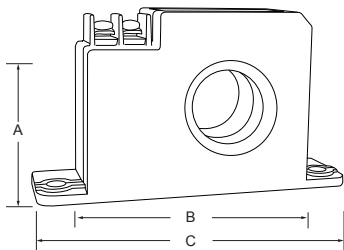


Suncourt's Dryer Boosting Kit is designed to increase the efficiency of the dryer, providing these benefits:

- Shorter drying time.
- Less wear and tear on the dryer.
- Lower energy costs.

Features:

- External rotor motor for quiet operation.
- Inline construction and bracket tabs for easy installation.
- Backward inclined impellers reduce lint buildup.
- 140°F/60°C temperature rating.
- Thermal overload protection, with automatic reset.
- 5 year limited warranty.
- Tested to the standard for safety for power ventilators, UL® 705 and CSA C22.2 No. 113-M1984 fans and ventilators.



- Shorter drying time.
- Less wear and tear on the dryer.
- Lower energy costs.
- Reliable on/off operation.
- Ideal for long dryer runs.*
- Perfect for new construction and can be easily added to existing dryer vents.

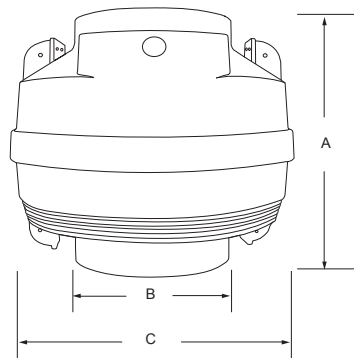
*Should be installed in dryer ducts with a total equivalent length of 25 feet to 100 feet of rigid duct. Each 90° bend and outside exhaust hood, adds 5 feet to equivalent length.

Dryer Kit includes fan, mounting brackets, cable ties and current switch.

FAN SPECS

Model	Duct Dia.	Amps	Watts	Volts	Hz	dBA	Sones
DRY04	4"	0.65	77	120	60	60	4

Static Pressure Inches Water Column	Airflow in CFM					
	0"	0.2"	0.4"	0.6"	0.8"	1"
DRY04	200	170	140	115	95	60



Dimension Data			
Model	A	B	C
DRY04	9.50"	4.00"	10.00"
Switch	2.00"	2.50"	3.50"

Reliable Operation

Kit includes an accurate current sensing switch to turn the fan on and off when it senses current to the dryer. The current switch avoids pressure switch problems such as: stack effect, wind and lint buildup.

SUNCOURT INC.

P.O. Box 40
Durant, IA 52747-0040
1.800.999.FANS

WWW.SUNCOURT.COM



Copyright© 2020
CAT-DRY-0120