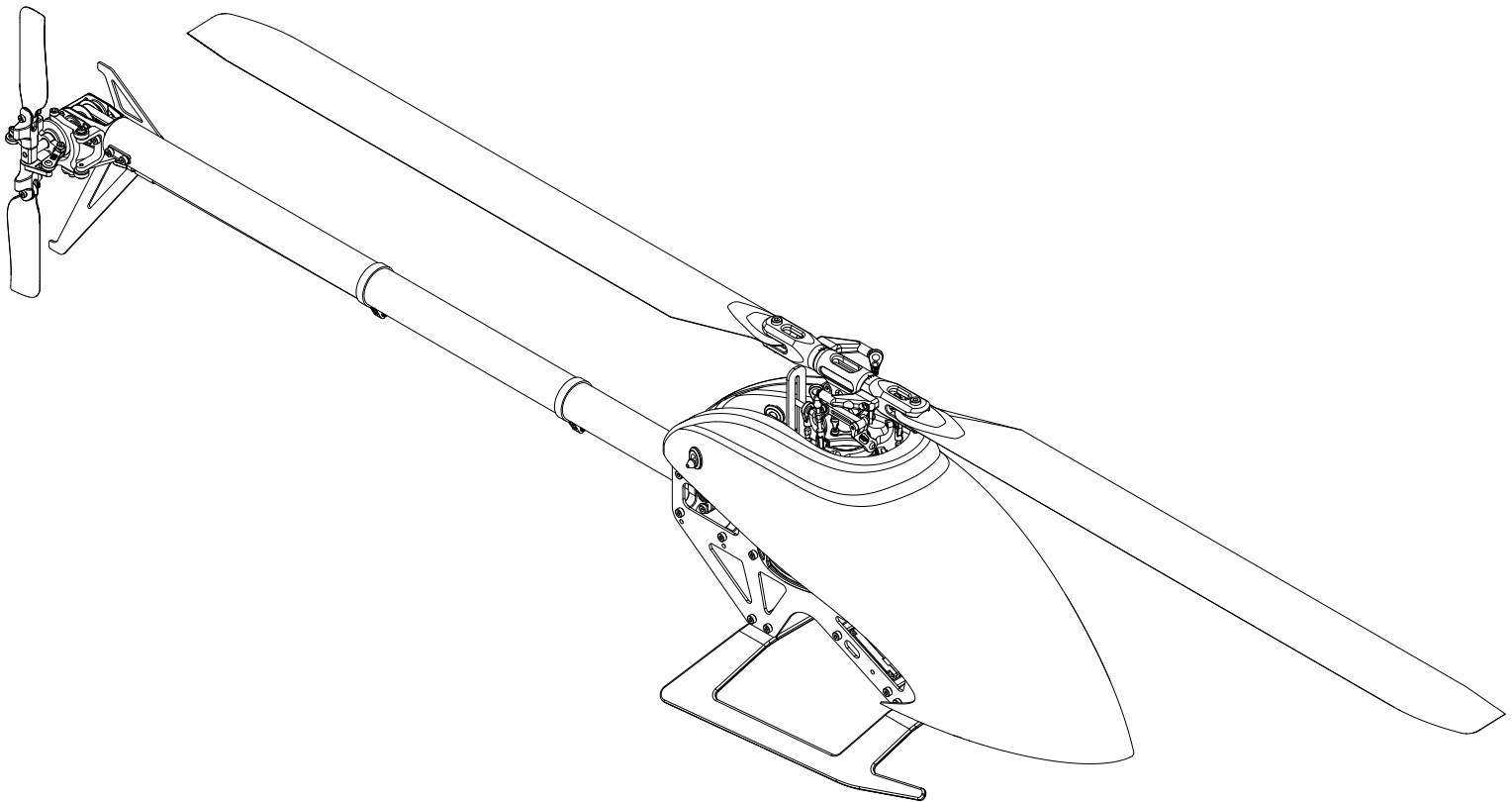


M4 MAX

INSTRUCTION MANUAL

REVISION 0



OMPHOBBY

Thank you for choosing OMPHOBBY products. The M4 MAX is the latest technology in rotary wing RC models, designed in Germany by Jonas Wackershauser. Please read this assembly manual carefully before assembling and flying your new M4 Max helicopter. We recommend that you keep this manual for future reference.




Thank you for choosing OMPHOBBY products. The M4 MAX Helicopter is designed as an easy to use, fully featured Helicopter R/C model capable of all styles of rotary flight. Please read this manual carefully before operating the model and follow all precautions, limitations and recommendations in the manual. Be sure to retain the manual for future reference, routine maintenance, and tuning.

The M4 MAX is a new product developed by OMPHOBBY. It features the best design available on the Mini-Heli market to date, providing high flight stability for beginners, full aerobatic capability with virtually unlimited control power for advanced pilots, as well as unsurpassed reliability for all customers.

感谢您选购边锋智驱公司产品，为了您容易方便使用M4 Max直升机，请您详细的阅读完这本说明书之后再进行组装以及操作这台直升机，同时请您妥善保存这本说明书，作为日后进行调整以及维修的参考。

M4 Max是边锋智驱有限公司自行研发的新产品，不论您是需求飞行稳定的初学者还是追求性能卓越的飞行爱好者。M4 Max将是您最佳的选择。

WARNING LABEL LEGEND 标志代表含义

 WARNING 警告	Mishandling of the helicopter and failure to follow these instructions may result in damage, injury or death. 因为疏忽这些操作说明，而使用错误可能造成财产损失或严重伤害。
 CAUTION 注意	Mishandling due to failure to follow these instructions may result in danger. 因为疏忽这些操作说明，而使用错误可能造成危险。
 FORBIDDEN 禁止	Do not attempt under any circumstances 在任何禁止的环境下，请勿尝试操作。

IMPORTANT NOTES 重要声明

R/C helicopters, including the OMPHOBBY M4 MAX, are not toys. R/C helicopters utilize various high-tech components and technologies to provide superior flight performance. Improper use of this product can result in damage to property, serious injury or even death. Please read this manual carefully before using and make sure to be conscious of your own personal safety, the safety of others and your environment when operating OMPHOBBY products. Manufacturer and seller assume no liability for the operation or the use of this product. The OMPHOBBY M4 MAX is intended for use only by adults with experience flying remote control helicopters at a legal flying field. After the sale of this product, OMPHOBBY cannot maintain any control over its operation or usage.

M4 Max遥控直升机并非玩具，它是结合了许多高科技产品所设计出来的休闲用品，所以商品的使用不当或者不熟悉都可能造成严重伤害甚至死亡，使用之前请务必仔细阅读本说明书，勿轻忽并注意自身安全。

注意！任何遥控直升机的使用，制造商和经销商是无法对使用者于零件使用的损耗异常或组装不当所发生之意外负责任何责任，本产品是提供给有操作过模型直升机经验的成人或者有相当技术的人员在旁指导于当地合法遥控飞行场飞行，以确保安全无误下操作使用，产品售出后该公司将不负任何责任操作和使用控制上的任何性能与安全责任。

RC Helicopters require skill to operate. We recommend that inexperienced pilots obtain the assistance of an experienced pilot before attempting to fly our products for the first time. Local expert assistance is the best way to assure proper assembly, setup, and safe flight of your model.

Any damage or dissatisfaction as a result of crashes, incorrect setup, modifications or lack of necessary user skill are not covered by any warranty and cannot be returned for repair or replacement.

Please contact our distributors for technical support and parts supply if you experience problems.

模型商品属于需高操作技术且为消耗性之商品，如经拆装使用后，会造成不等情况零件损耗，任何使用情况所造成的商品不良或不满意，将无发于保固条件内更换新品或者退货，如遇有使用操作维修问题，本公司全球分公司或者代理商将提供技术指导，特价零件供应服务。

SAFETY NOTES 安全注意事项



Fly only in safe areas, at a safe distance from other people. Do not operate R/C aircraft within the vicinity of homes or crowds of people. R/C aircraft may suffer accidents, failures, and crashes due to a variety of reasons including, but not limited to: Lack of maintenance, pilot error and radio interference. Pilots are responsible for their actions, as well as damage or injury occurring during the operation of their R/C aircraft models.

遥控模型飞机、直升机属于高危险性商品，飞行时务必远离人群，人为组装不当或机件损坏，电子控制设备不良，以及操控上的不熟悉、都有可能导导致飞行失控损伤等不可预期的意外，请飞行者务必注意飞行安全，并需了解自负疏忽所造成的任何意外之责任。

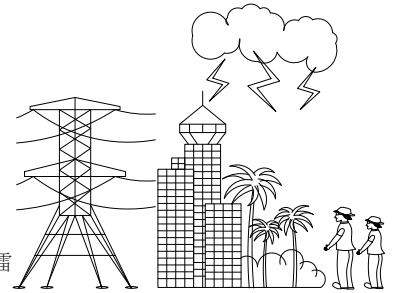


LOCATE AN APPROPRIATE LOCATION 远离障碍物及人群

To ensure the safety of yourself, others and your model, do not fly near airports, buildings, roads, crowded areas or high voltage cables. R/C helicopters can fly at high speed and have rotor blades spinning at high RPM, thus posing a certain degree of potential danger during operation. Choose a legal and safe flying field consisting of flat, smooth ground without obstacles, other people, animals etc. For the first flights, please choose a legal flying field with ample clear space. Flying over long grass reduces damage in the event of a crash. Consider the use of a training landing gear. Do not fly your model in inclement weather, such as rain, wind, snow or darkness.

直升机飞行时具有一定的速度，相对的也潜在着危险性，场地的选择也相对的重要，请遵守当地的法律法规到合法的遥控飞行场地去飞行。必须注意周边有没有人、高楼、建筑物、高压电线、树木等等、避免操控的不当造成自己或他人的财产损失。

初次练习时，务必选择在空旷合法专属飞行场地并适当搭配练习架飞行，这对于飞行失误所造成的损伤将会大幅的降低。请勿在下雨天、打雷等恶劣天气下操作，以确保本身及机体的安全。

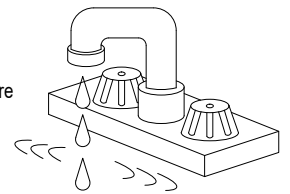


PREVENT MOISTURE 远离潮湿环境

R/C models are composed of many precision mechanical and electrical components.

It is critical to keep the model and associated equipment away from moisture and other contaminants. The introduction or exposure to water or moisture in any form can cause the model to malfunction, resulting in loss of control or a crash. Do not operate or expose the model to rain or moisture.

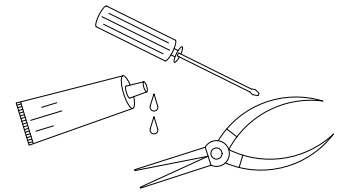
直升机内部也是由精密的电子零件组成，所以必须绝对的防止潮湿或水气，避免在浴室或雨天时使用，防止水气进入机身内部而导致机件及电子零件故障而引发不可预期的意外！



MALOPERATION 勿不当使用本产品

Please use only genuine replacement parts listed in the manual to ensure correct operation. Use of non-standard or damaged parts voids the product warranty and may cause danger. This product is designed for leisure R/C modelling, do not use the model for other purposes.

请勿自行改造加工，任何的升级改装或维修，请使用三源电子科技产品目录中的零件，以确保结构的安全。请确认于产品限界内操作，请勿超载使用，并勿用于安全、法令外其他非法用途。



OBTAIN THE ASSISTANCE OF AN EXPERIENCED PILOT 避免独自操控

Before turning on your model and transmitter, check with other RC model users in the area that it is safe to fly.

For inexperienced pilots, the guidance provided by an experienced pilot can be invaluable for the assembly, setup, tuning, trimming and first flight. (It is recommend to practice with computer-based flight simulator beforehand.)

至飞行场地前，需确认是否有相同频率的同好正在飞行，因为开启相同的频率的发射机将导致自己与他人立即干扰等意外危险。

遥控飞机操控技巧在学习初期有着一定的难度，要尽量避免独自操作飞行，需有经验的人士在旁指导，才可以操控飞行。(勤练电脑模拟器及老手指导是入门必要的选择)



SAFE OPERATION 安全操作

Operate this helicopter within your ability. Do not fly under the influence of perception-altering substances, as well as when you're sleep deprived. It may result in danger or injury.

请于自己能力内及需要一定技术范围内操作这台直升机，过于疲劳，精神不佳或不当操作，意外发生风险将可能会提高。

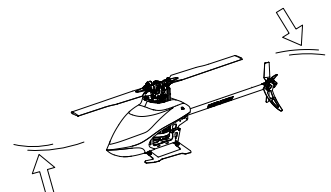


ALWAYS BE AWARE OF THE ROTATING BLADES 远离运转中的零件

During the operation of the helicopter, the main rotor and tail rotor will be spinning at very high rotation speeds. Rotor blades are capable of inflicting serious to lethal bodily injury and damage to the environment. Be conscious of the hazards posed by the spinning rotor blades and maintain safe distance from the helicopter at all times.

Always fly the model a safe distance from yourself and others, as well as your surroundings. Never take your eyes off the model or leave it unattended while it is turned on. Immediately turn off the model and transmitter and remove battery after you have landed the model.

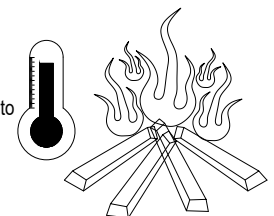
当直升机主旋翼与尾旋翼运转时，切勿触摸并远离任何物件，以避免造成危险及损坏。

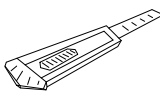



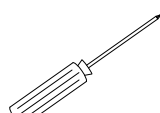
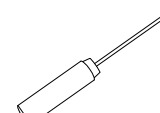
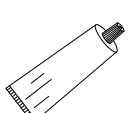





KEEP AWAY FROM HEAT 远离热源

R/C models are made of various forms of plastics. Plastic is very susceptible to damage or deformation due to extreme heat and cold. Make sure not to store the model near any source of heat, such as direct, strong sunlight or a heater. It is best to store the model indoors, in a climate-controlled, room-temperature environment.

遥控飞机多半是以PA纤维或聚乙烯、电子商品为主要材质，因此要尽量远离热源、日照、以避免因高温而变形甚至熔毁损坏的可能。



 <p>Cutter Knife 刀子</p>	 <p>Scissors 剪刀</p>	 <p>Needle Nose Pliers 尖嘴钳</p>	 <p>Diagonal Cutting Pliers 斜口钳</p>		
 <p>Philips Screw Driver 十字螺丝起子</p>	 <p>Hex Driver (1.5 & 2 & 2.5mm) 六角螺丝起子</p>	 <p>Viscous grease 润滑油</p>	 <p>AB glue AB胶</p>	 <p>CA Glue 瞬间胶</p>	 <p>Threadlocker 螺纹胶</p>

胶水使用方法

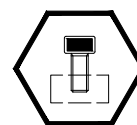
When you see the marks as below, please use glue or grease to ensure flying safety.
 标有以下符号之组装步骤，请配合上胶或上油，以确保使用之可靠度。



Apply Threadlocker
使用螺丝胶



Apply Petroleum-Based,
Light Viscosity Lube
添加润滑油



Loosely Tighten
普通拧紧



Apply NO Threadlock
无需使用螺丝胶



Apply Synthetic
Grease
添加润滑油脂



Fully Tighten
完全拧紧



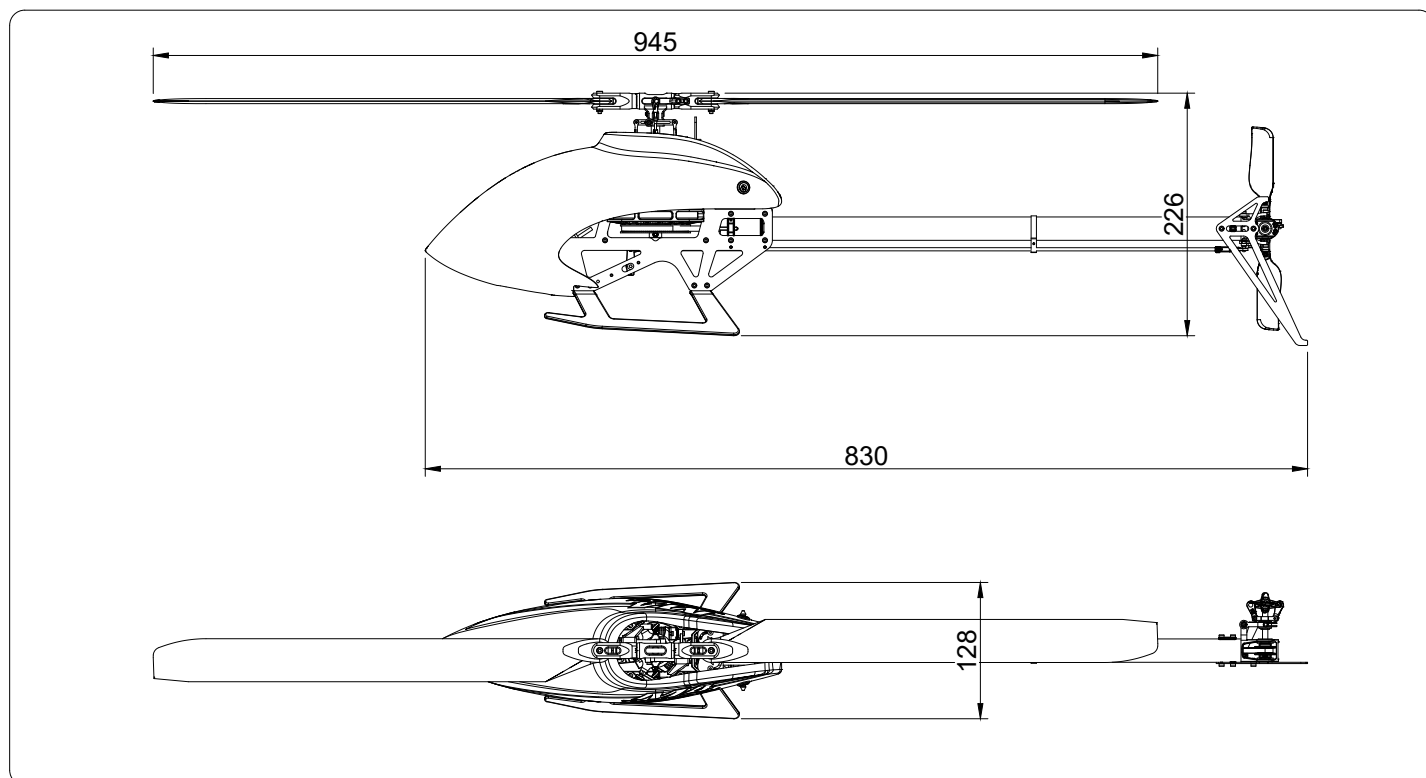
Apply MEDIUM CA
使用瞬间胶固定



Repeat Multiple Times
重复多次



Use AB glue
使用AB胶



Specifications 参数配备

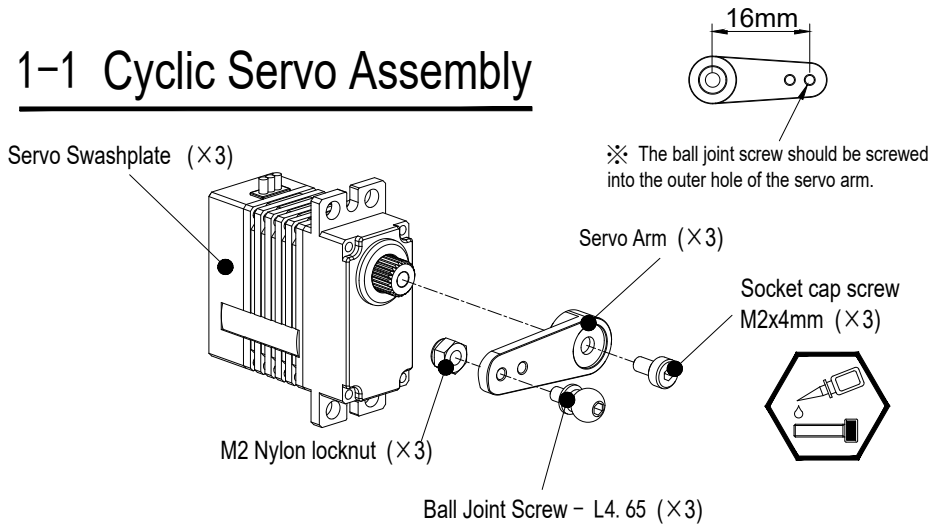
- Length: 830mm
- Height: 226mm
- Main Blade: 420mm
- Main Rotor Diameter: 945mm
- Tail Rotor Diameter: 190mm
- Flying Weight: 1500g
- 机身长: 830mm
- 机身高: 226mm
- 主旋翼长度: 420mm
- 主旋翼直径: 945mm
- 尾旋翼直径: 190mm
- 起飞重量约: 1500g

Features 设计特点

- Large pitch range main rotor design for extreme control power in any situation
- Highly compact flight mechanics design
- Lightweight carbon fiber and aluminium airframe design
- Streamlined low wind resistance canopy design
- Frame mounted XT60 connector for easy battery connection
- Open frame design for easy wiring and serviceability
- 大螺距主旋翼设计, 实现极限控制
- 高度紧凑的飞行力学设计
- 碳纤维和铝机身轻量化设计
- 流线型低风阻机头罩设计
- XT60连接器框架安装, 便于电池连接
- 开放式框架设计, 便于接线和维护

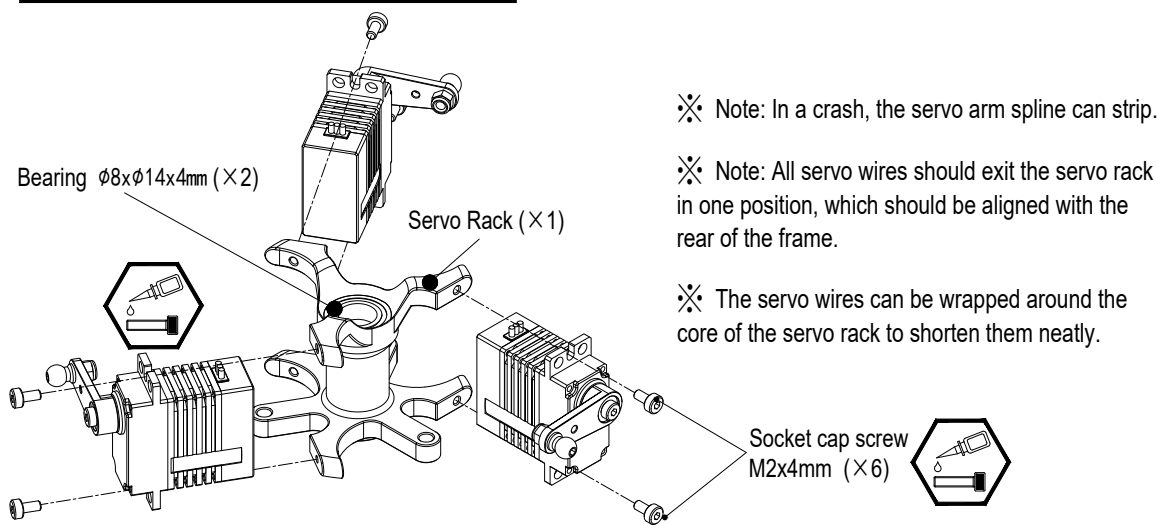
Partially pre-assembled parts are loosely screwed together without thread locker/glue
 Recommendation: Loctite 243 for screws, Loctite 648 for bearing seats.

1-1 Cyclic Servo Assembly



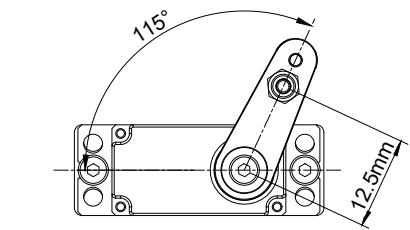
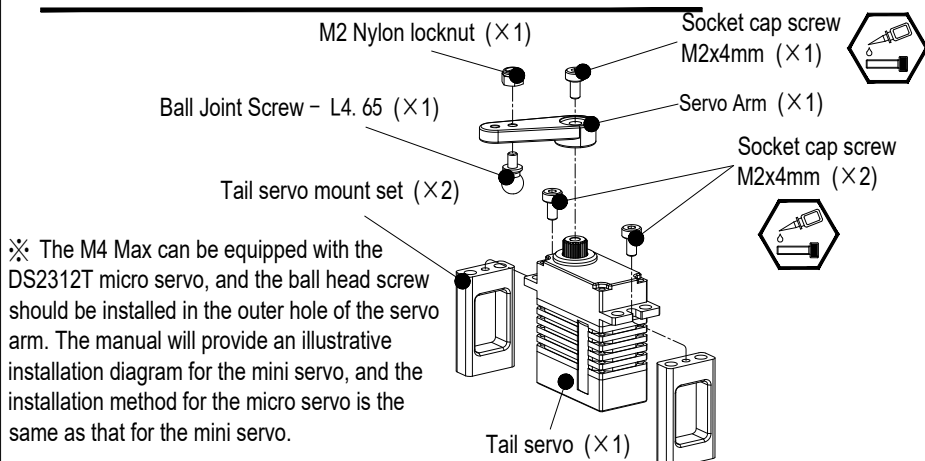
M4X-101	
Servo Arm (×3)	M2 Nylon locknut (×3)
Socket cap screw M2x4mm (×3)	Ball Joint Screw - L4. 65 (×3)

1-2 Servo Rack Assembly



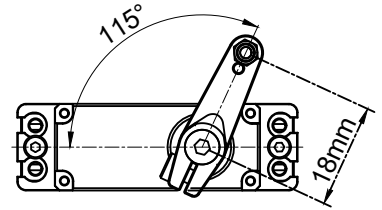
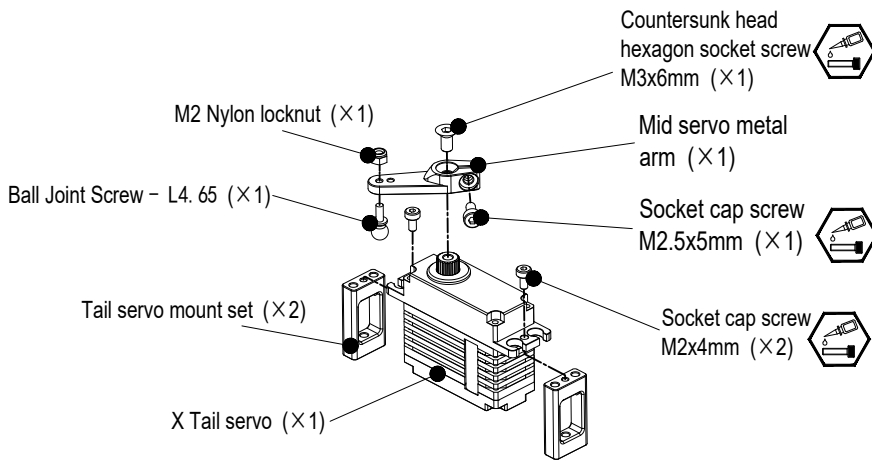
M4X-102	
Servo Rack (×1)	
Socket cap screw M2x4mm (×6)	
Bearing $\phi 8 \times \phi 14 \times 4 \text{mm}$ (×2)	

1-3 Tail servo (Micro servo) assembly



The maximum height of the tail servo, including servo arm, must be less than 40.0mm. When the tail servo arm is in the middle position, the angle relative to the tail servo should be 115°, as shown above.

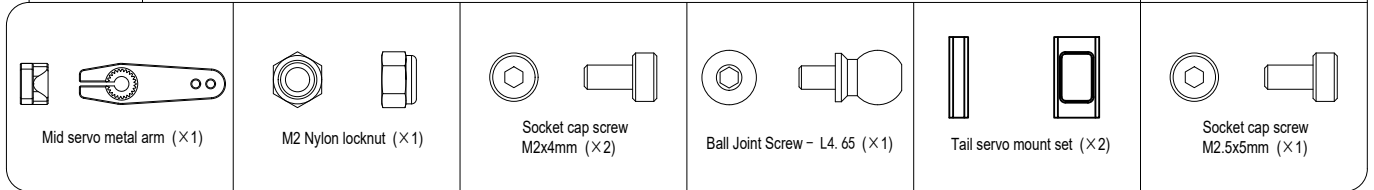
1-3 Tail servo (Mini servo) assembly



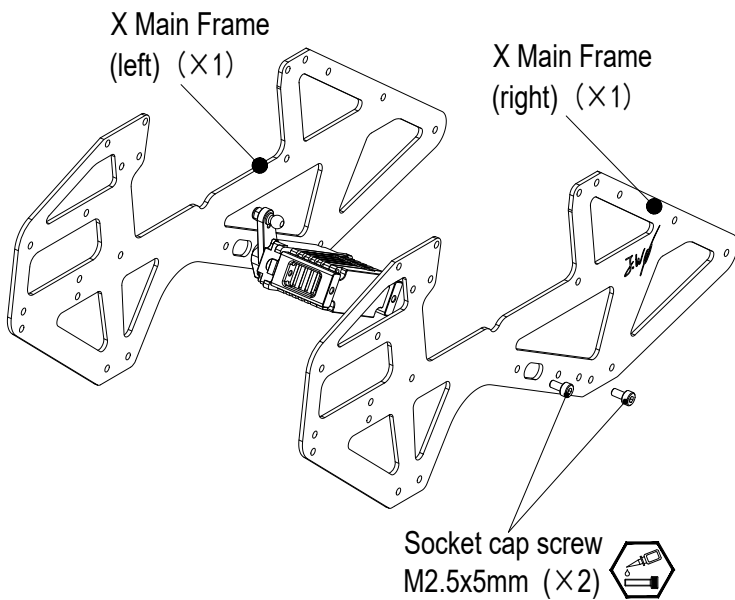
※ The maximum height of the tail servo, including servo arm, must be less than 40.0mm. When the tail servo arm is in the middle position, the angle relative to the tail servo should be 115°, as shown above.

※ The ball head screw should be installed in the outer hole of the servo arm.

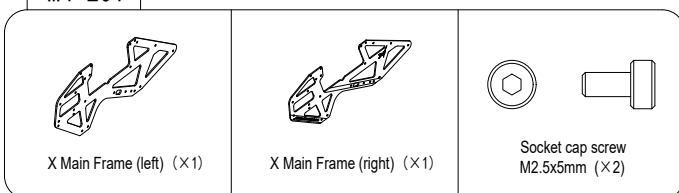
M4X-103



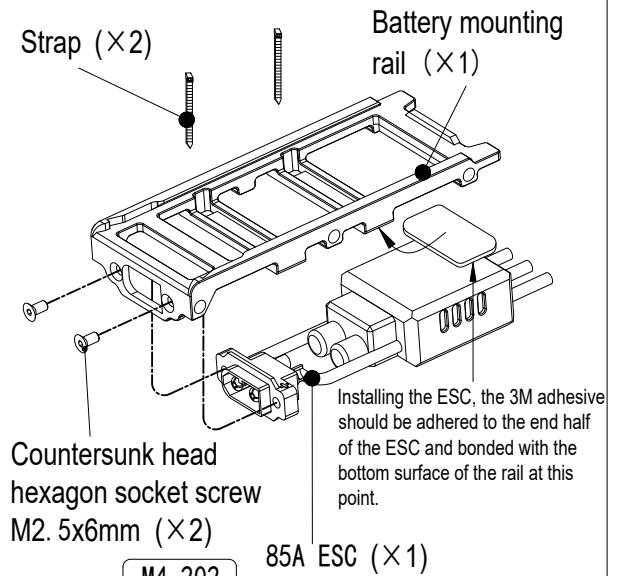
2-1 Main frame tail servo assembly



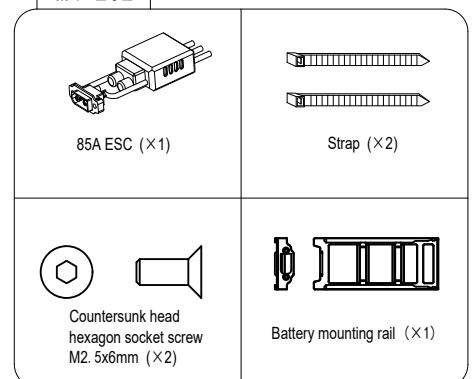
M4-201



2-2 Main frame set assembly

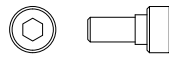


M4-202



2-2 Main frame set assembly

M4X-202



Step socket cap screw
M2.5x6mm (x2)



Canopy frame support
rubber (x2)



Shim
φ2.5xφ5x0.5mm (x2)

Socket cap screw
M2.5x5mm (x16)



Canopy frame
support rubber (x2)

Shim
φ2.5xφ5x0.5mm (x2)

X-Brace (x1)

Step socket cap screw
M2.5x6mm (x2)



X Tail Boom
Mount convex
(x1)

X Tail Boom
Mount (x1)

X-fixed seat gasket
(x1)

X Square Frame
Brace (x1)

Socket cap screw
M2.5x8mm (x2)

※ Do not tighten the M2.5x8mm clamping screws on the tail boom mounts.
※ The clamping screws should be inserted from right side to prevent interference with the tail rotor linkage.

M4X-202



Socket cap screw
M2.5x5mm (x16)



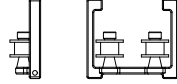
Socket cap screw
M2.5x8mm (x2)



X Tail Boom Mount convex (x1)



X Tail Boom Mount (x1)



X Square Frame Brace (x1)



X Brace (x1)



X-fixed seat gasket (x1)



Socket cap screw
M2.5x8mm (x2)

Square Frame Brace Assembly



Socket cap screw
M3x16mm (x2)

(Already installed with retaining compound)

Shim φ3.05xφ4.5x0.5mm (x2)

Bearing φ3xφ6x2.5mm (x4)

(Already installed with retaining compound)

X Idler Pulley (x2)

X Bushing φ3xφ4x2 (x2)

X Idler Cone (x2)

Square Brace (x1)

2-3 Motor assembly

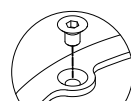
M4X-203

Main Rotor
Shaft (x1)

7.5mm

3mm

Shim
φ8xφ10x0.2mm
(x1)



※ Note that the main pulley flange carbon plates are recessed one side to suit countersunk screws.

Main Pulley (x1)



Main Rotor Shaft (x1)

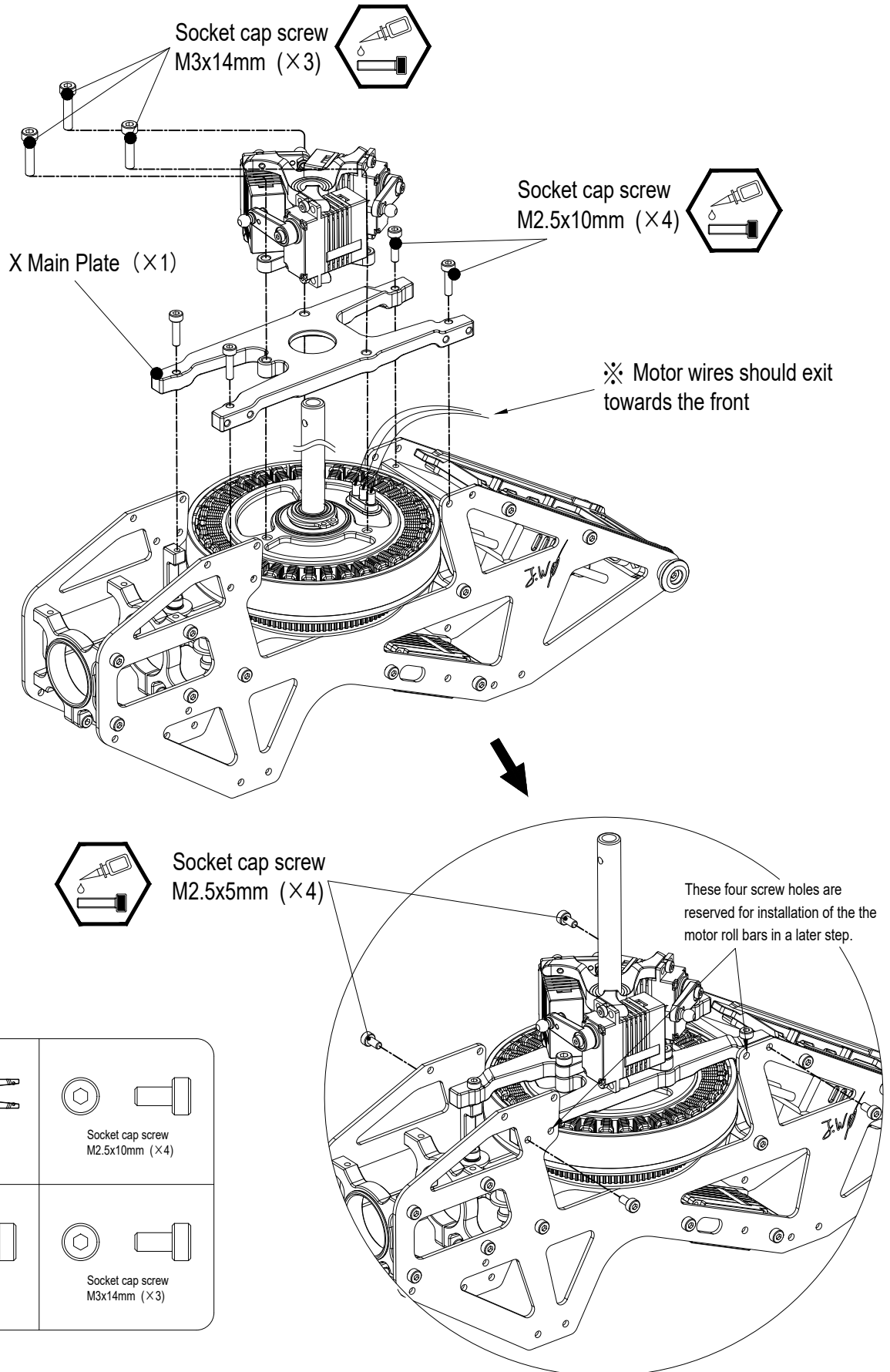


SUNNYSKY 8110 Motor (x1)



Main Pulley (x1)
countersunk head hexagon socket
screw M2x3mm (x12)
Main Pulley Flanges (x2)
Socket cap screw M2.5x15mm (x1)
Nyloc Nut M2.5 (x1)
Shim φ8xφ10x0.2mm (x1)

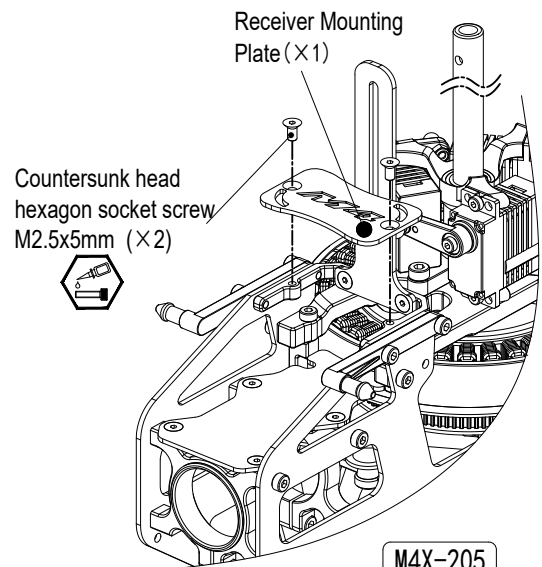
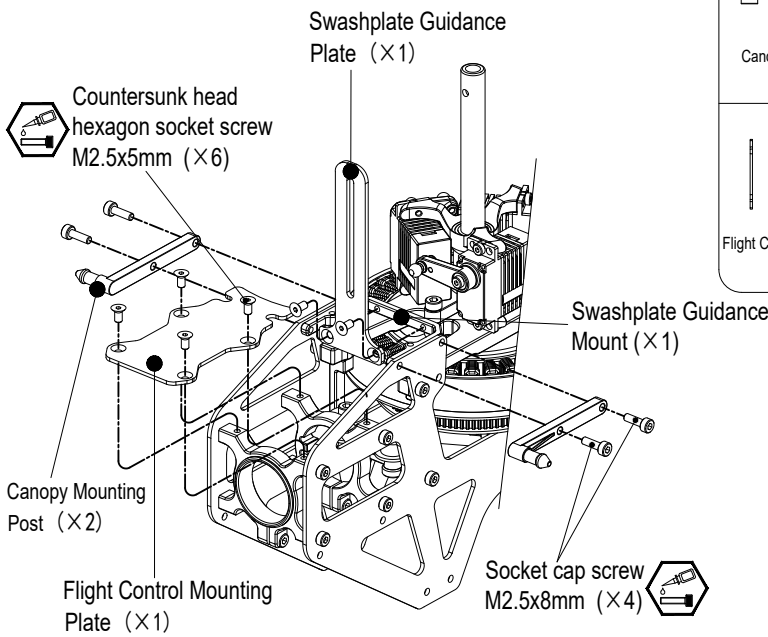
2-4 Motor and servo assembly



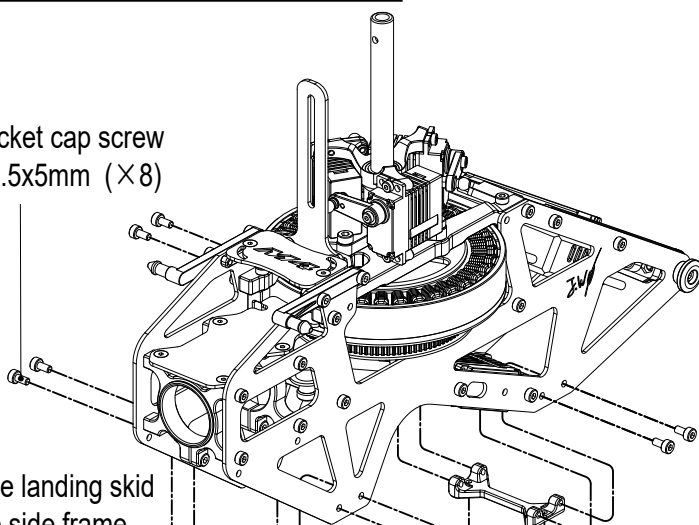
2-5 Landing gear and flight controller mount assembly

M4X-205

Canopy Mounting Post (×2)	Swashplate Guidance Plate (×1)	Swashplate Guidance Mount (×1)
Flight Control Mounting Plate (×1)	Socket cap screw M2.5x8mm (×4)	countersunk head hexagon socket screw M2.5x5mm (×8)



Socket cap screw M2.5x5mm (×8)



※ Attach the landing skid mount to the side frame before installing the landing gear.

Shim $\phi 2.6 \times \phi 0.5 \times 1 \text{mm}$ (×2)

Landing Skid Mount set (×2)

Socket cap screw M2.5x12mm (×2)

Socket cap screw M2.5x10mm (×2)

X Landing gear (×1)

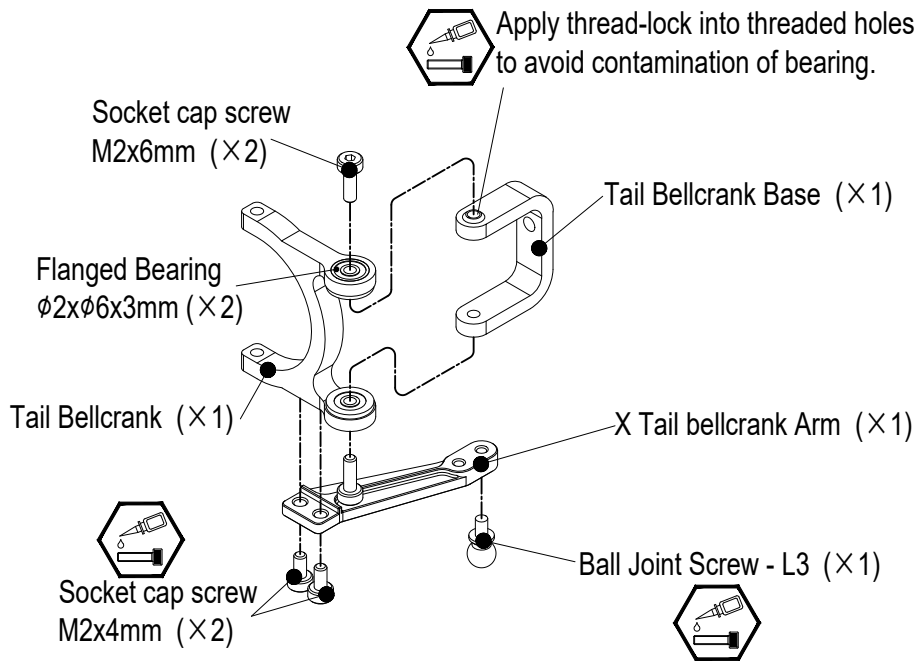
Canopy support brace (×1)

Put note that heat shrink is preinstalled

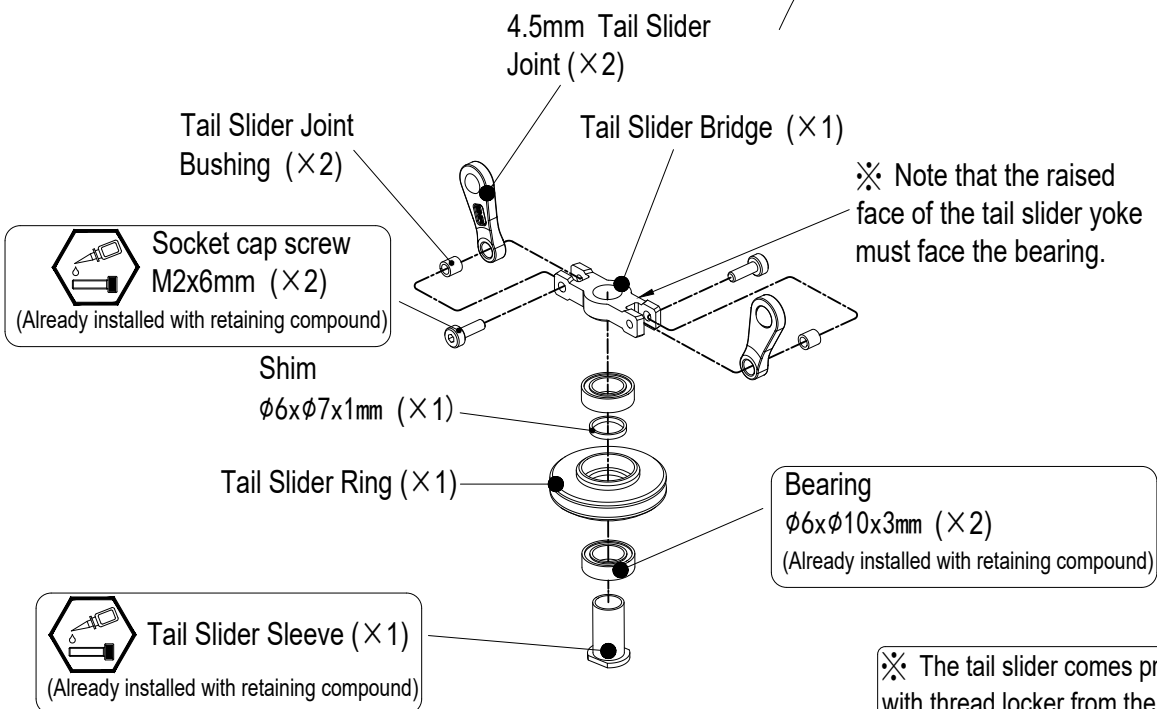
M4X-205

Receiver Mounting Plate (×1)	X Landing gear (×1)
Socket cap screw M2.5x5mm (×8)	Landing Skid Mount set (×2)
Socket cap screw M2.5x10mm (×2)	Shim $\phi 2.6 \times \phi 0.5 \times 1 \text{mm}$ (×2)
Socket cap screw M2.5x12mm (×2)	Canopy support (×1)

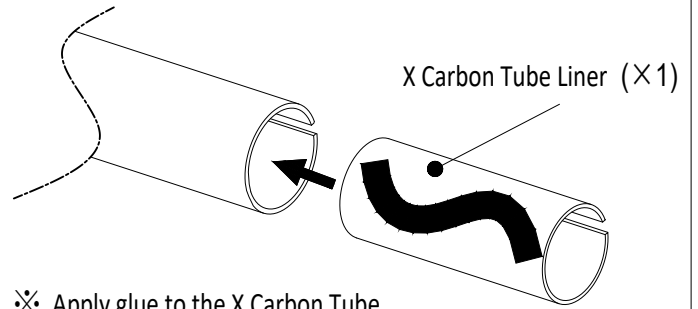
3-1 Tail Thrust Component Installation



M4X-301	
X Tail boom (×1)	Tail Bellcrank (×1) Flanged Bearing ø2xø6x3mm (×2)
Tail Bellcrank Base (×1)	X Tail bellcrank Arm (×1)
Ball Joint Screw - L3 (×1)	Socket cap screw M2x4mm (×2)
Tail Slider Ring Set (×1)	Socket cap screw M2x6mm (×2)

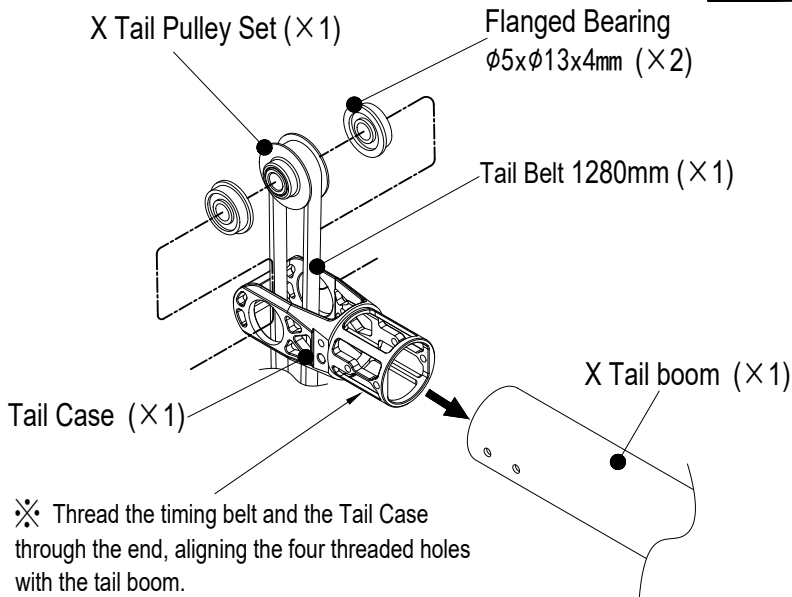


3-1 Installation of Tail Gearbox and Tail Thrust set

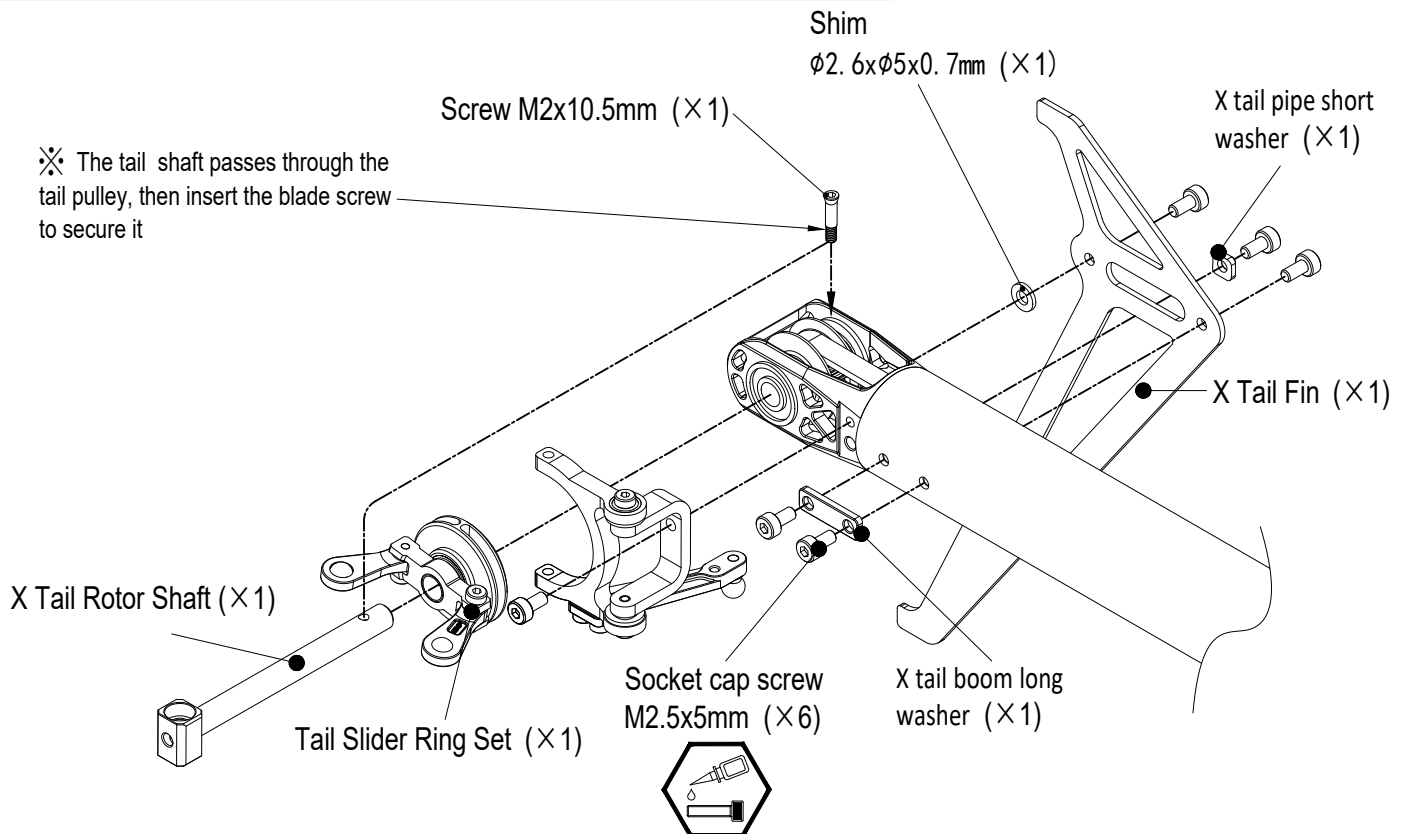


※ Apply glue to the X Carbon Tube Liner, align it with the slot, and insert the X Carbon Tube Liner into the tail boom

(Assembled and glued at the factory)



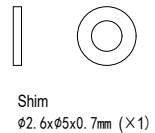
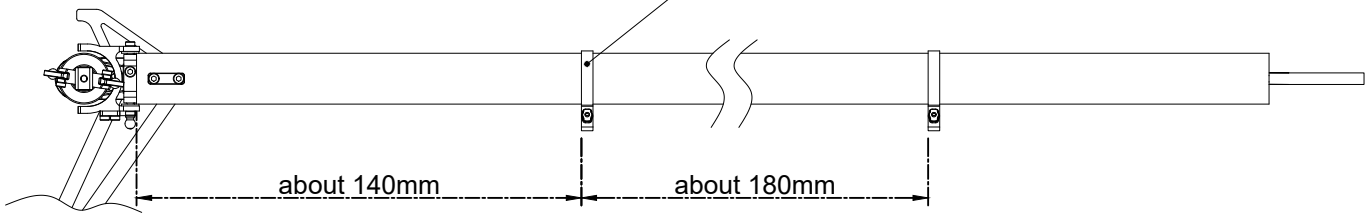
※ Thread the timing belt and the Tail Case through the end, aligning the four threaded holes with the tail boom.



※ The tail shaft passes through the tail pulley, then insert the blade screw to secure it

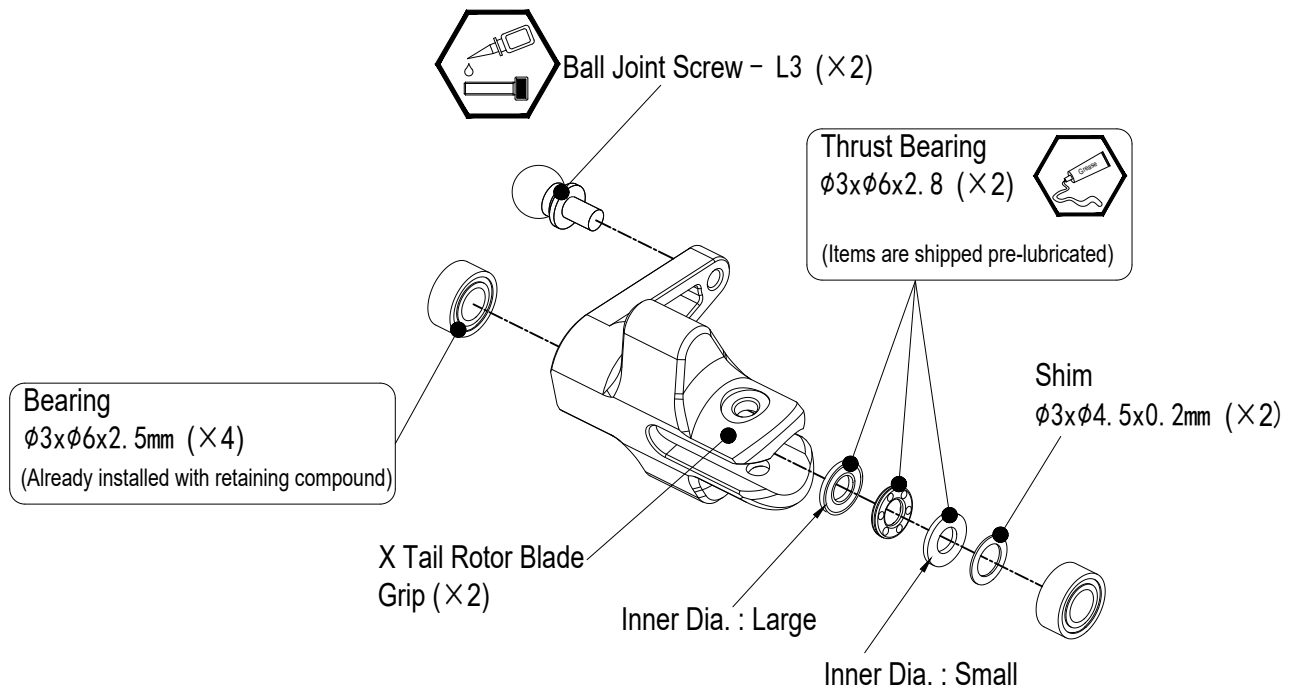


X Tail Control Rod Guide (×2)

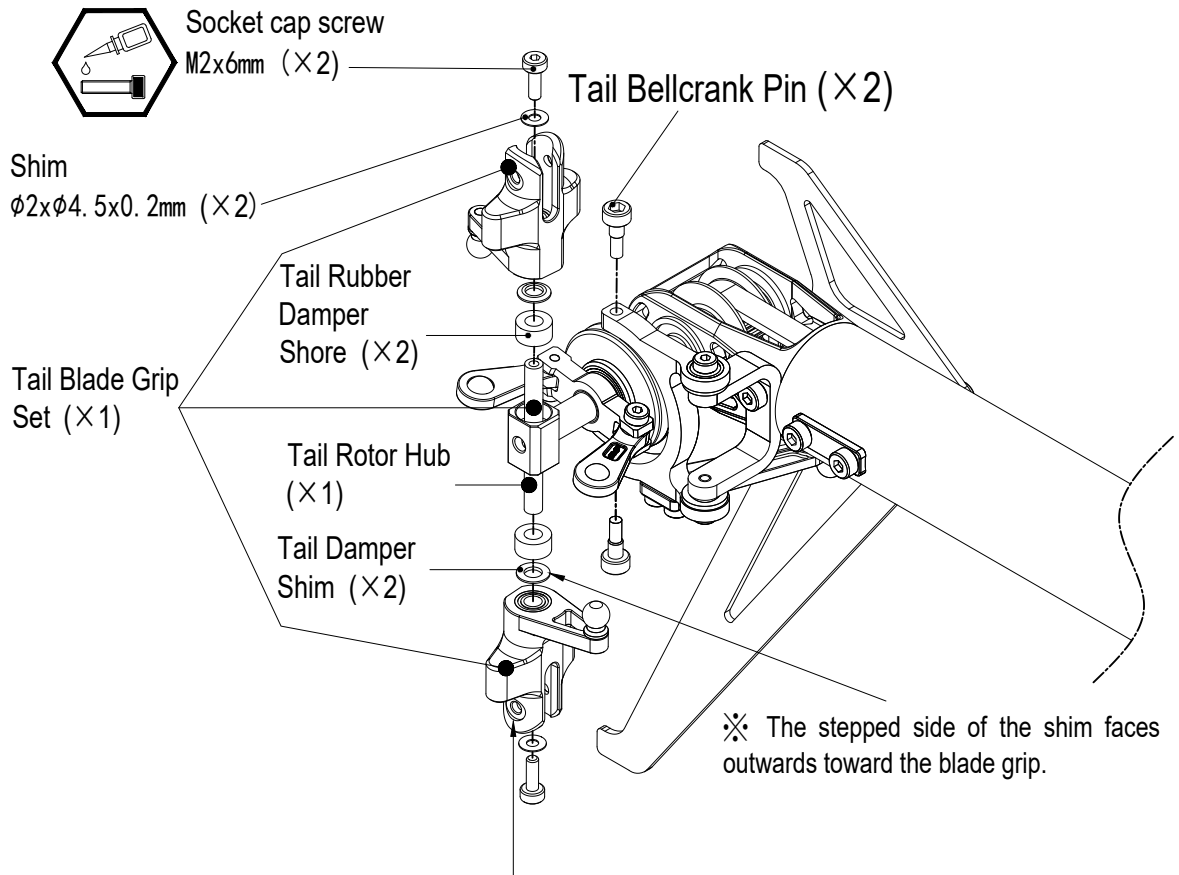


M4X-301

3-2 Tail blade Set installation



3-2 Tail rotor assembly

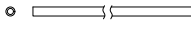


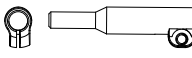



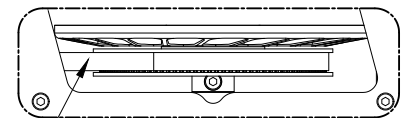
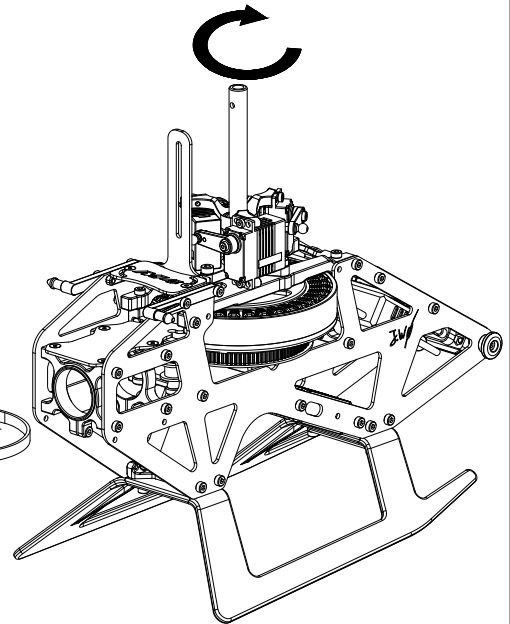
※ Note: The round screw head seat must face outward

M4X-302	
<p>Tail Blade Grip Set (×1)</p>	<p>Tail Bellcrank Pin (×2)</p>
<p>Tail Damper Shim φ3xφ5.5x0.6mm (×2)</p>	<p>Tail Rubber Damper Shore φ3xφ6x3mm (×2)</p>

3-3 Tail boom, tail servo linkage rod assembly

M4X-303

 X Tail servo linkage rod (X1)	 4.5 linkage ball set (M2.5) (X2)	 Socket cap screw M1.6x3mm (X2)
 X Control Rod Joint (X2)	 Self-tapping screws M2x6mm (X2)	



The tail boom can be pushed further inward to give the belt more slack for installing it onto the main pulley.

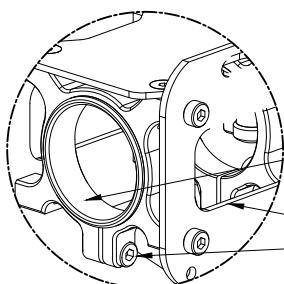
※ Pay close attention to the twist direction of the belt. The belt should be pulled straight through the boom. Rotate the free end 90° as shown to achieve proper tail rotor rotation. Do not twist the belt further than 90°.

Lock the M2x6 screws to the tail rod limiters after attach the X tail servo linkage

Pull the tail boom backwards to tension the belt, to ensure that the flying power is effectively transmitted to the tail. Do not over-tighten the belt to avoid excessive drag, but do not over-loosen it, as too much looseness will cause the belt to jump, vibrate, and wear out. After installation the rotary drive runs smoothly and the tensioner pulley rotates normally with the timing belt

Different types of servos require different linkage rod lengths, with micro servos needing approximately 584mm, and mini servos requiring about 589mm

4.5 linkage ball set (M2.5) (X2) Socket cap screw M1.6x3mm (X2) X Tail servo linkage rod (X1) X Control Rod Joint (X2)

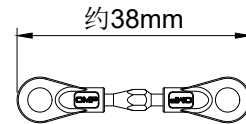


※ The control rod ends should be sand and glued onto the carbon rod with AB glue/Epoxy, avoid using Superglue/CA. Pay attention to the correct rod length.
 ※ Use sand paper on the rod ends to roughen them and make insertion into the joint easier.

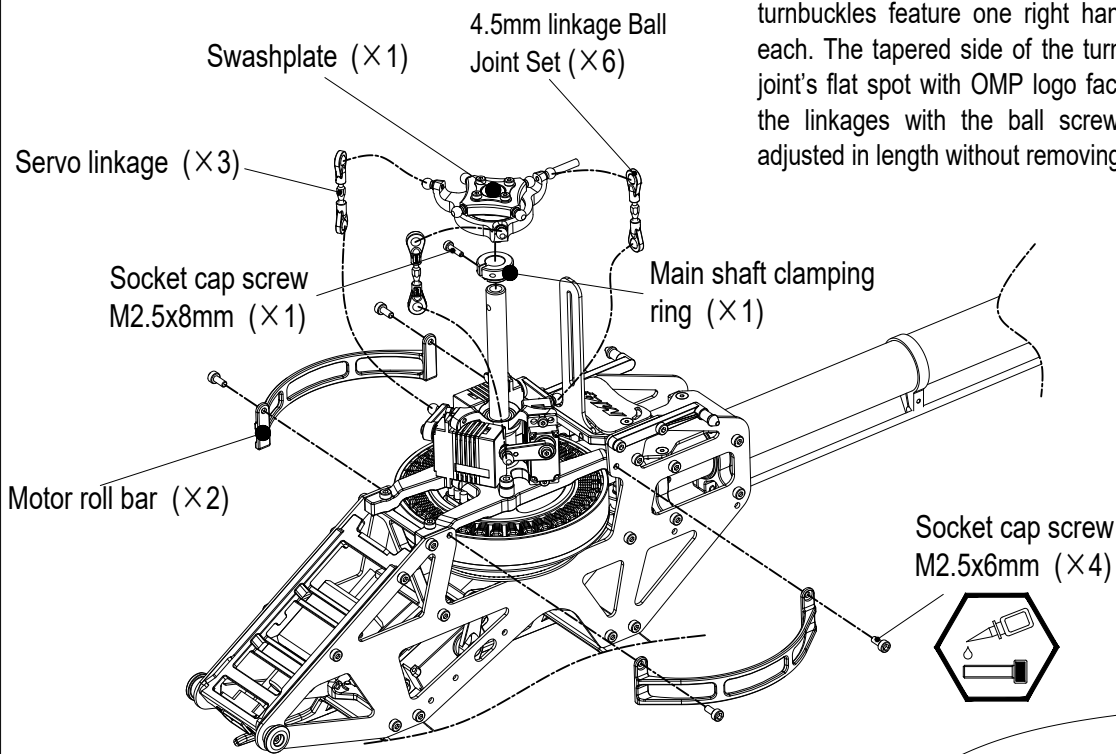
※ **Here to put on some grease onto the rubber ring for easier installation.**

※ After the tail belt is tensioned, tighten the two clamping screws left loose in step 2-2 to secure the boom in place.

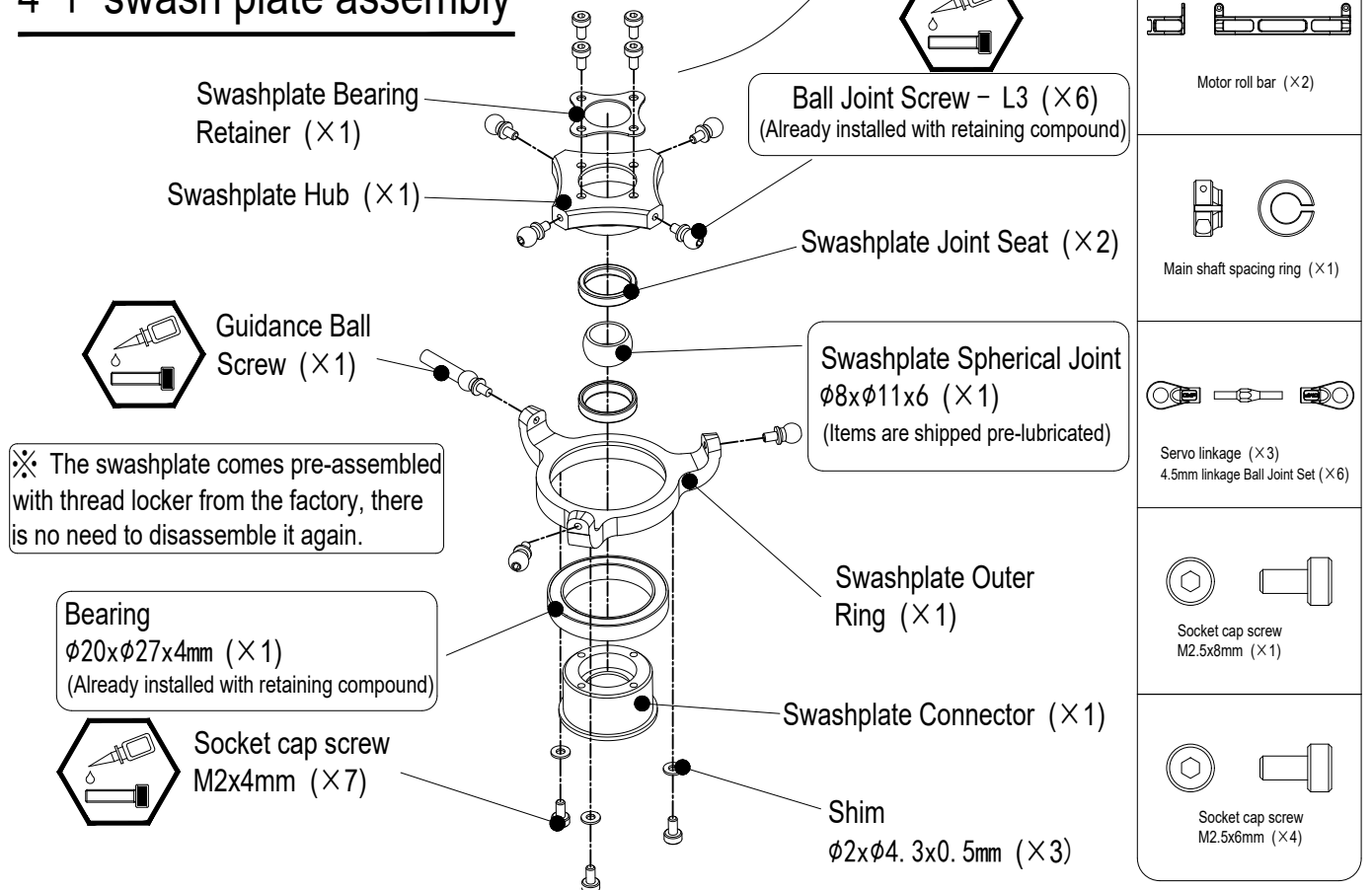
4-1 Swashplate assembly



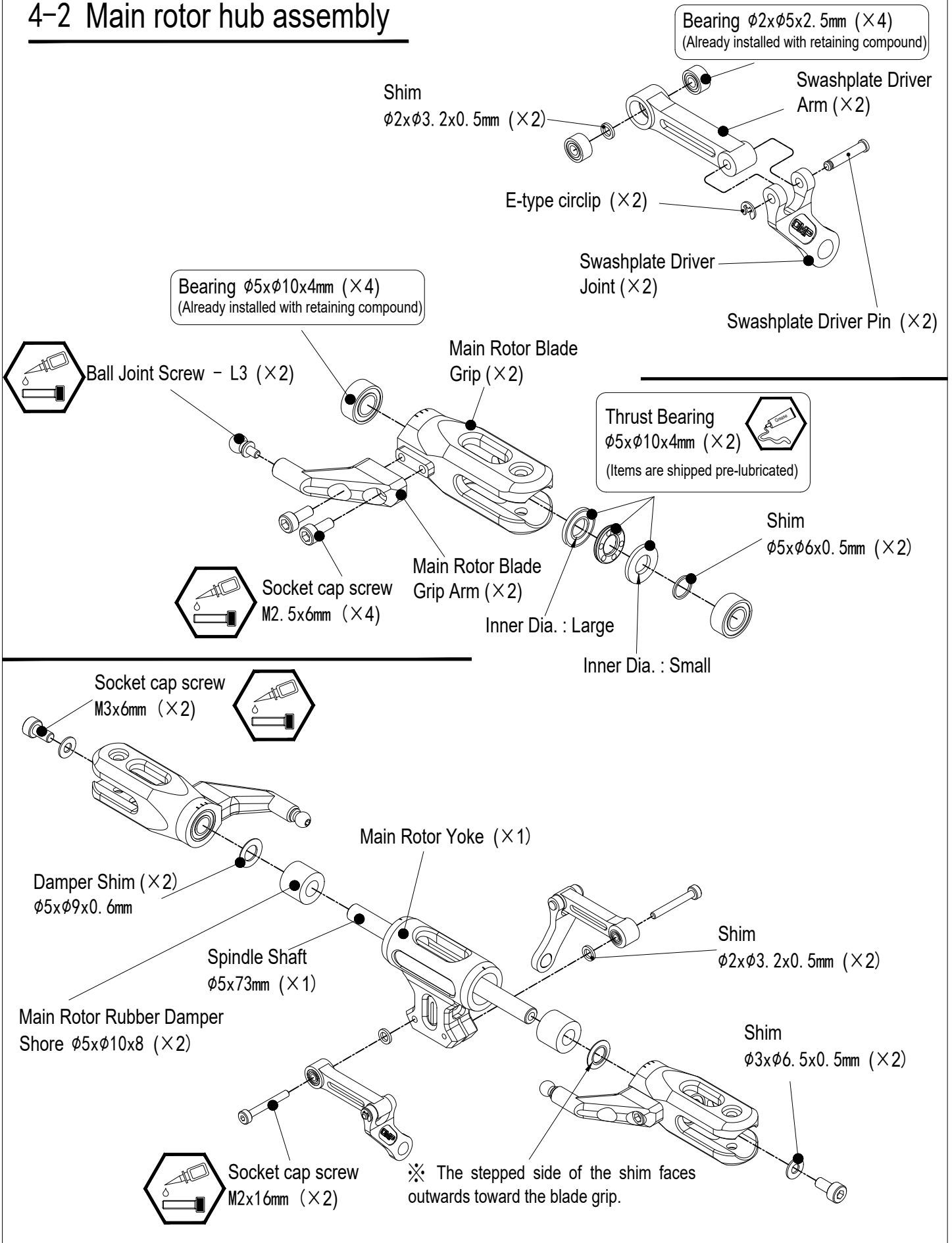
※ Make three linkages of the same length, note that turnbuckles feature one right hand and one left hand thread each. The tapered side of the turnbuckle faces down. The ball joint's flat spot with OMP logo faces outward when connecting the linkages with the ball screws. The turnbuckles can be adjusted in length without removing them from the helicopter.



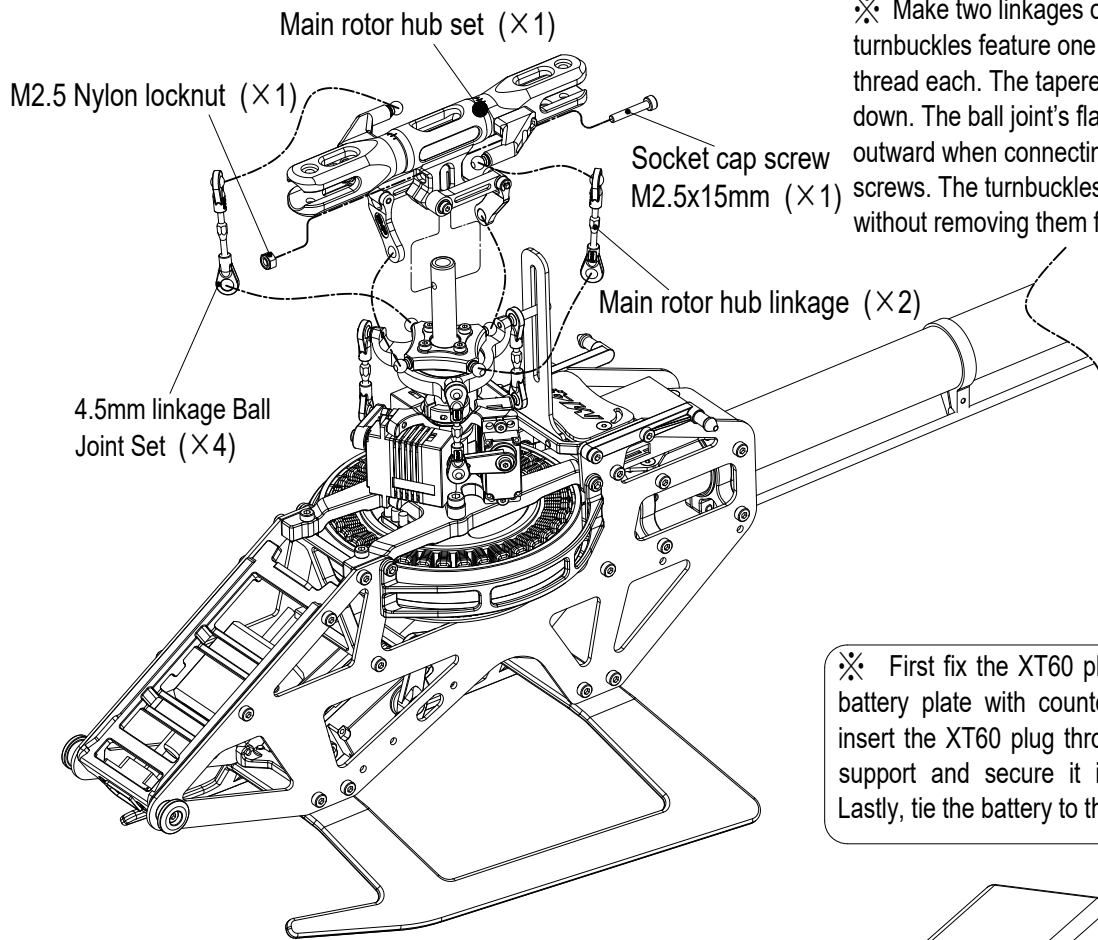
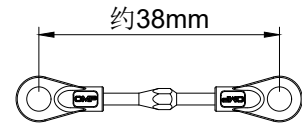
4-1 swash plate assembly



4-2 Main rotor hub assembly



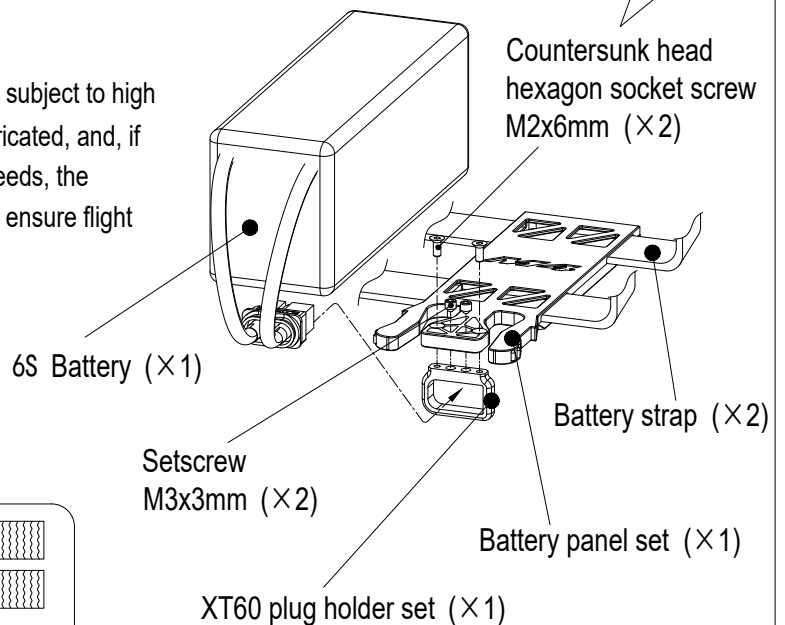
4-2 Main rotor hub assembly



※ Make two linkages of the same length, note that turnbuckles feature one right hand and one left hand thread each. The tapered side of the turnbuckle faces down. The ball joint's flat spot with OMP logo faces outward when connecting the linkages with the ball screws. The turnbuckles can be adjusted in length without removing them from the helicopter.

※ The main rotor hub thrust bearing and rubber dampers are subject to high flight forces and thus should be periodically inspected and lubricated, and, if worn or damaged, replaced. When flying hard at high rotor speeds, the inspection interval should be reduced. Replace on condition to ensure flight safety.

※ First fix the XT60 plug holder (optional) to the battery plate with countersunk head screws, then insert the XT60 plug through the XT60 plug holder support and secure it in place with set screws. Lastly, tie the battery to the tray with battery straps.

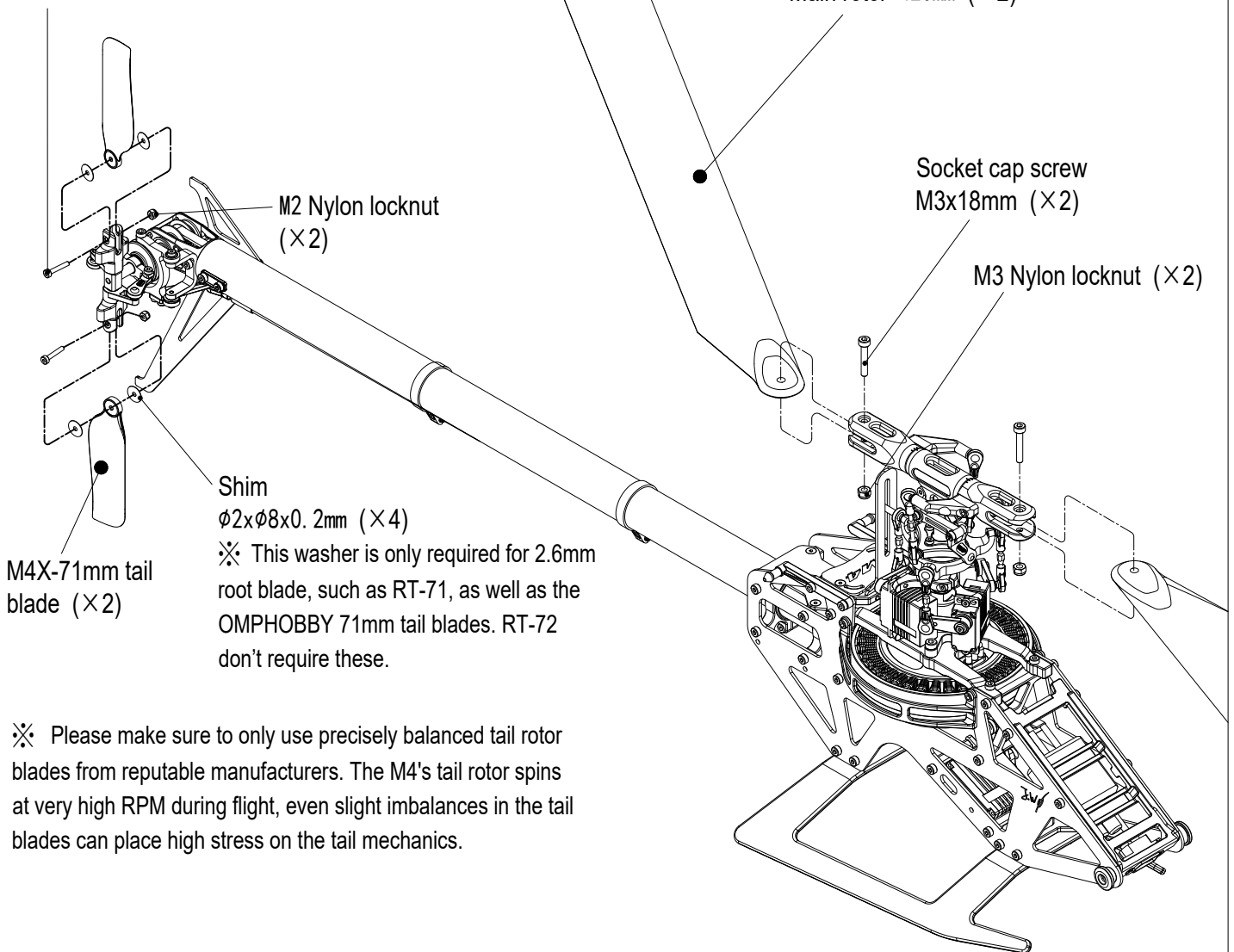


※ Can optionally be added as per pilot preference.

M4X-402				
6S Battery (x1)	Main rotor hub set (x1)			
Battery panel set (x1)	XT60 plug holder set (x1)	Battery strap (x2)		
Main rotor hub linkage (x2) 4.5mm linkage Ball Joint Set (x4)	Countersunk head hexagon socket screw M2x6mm (x2)	Socket cap screw M2.5x15mm (x1)	Setscrew M3x3mm (x2)	M2.5 Nylon locknut (x1)

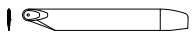



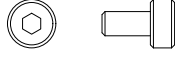


4-3 Rotor blade installation

Socket cap screw (Thread length 4mm)
M2x12mm (×2)



※ Please make sure to only use precisely balanced tail rotor blades from reputable manufacturers. The M4's tail rotor spins at very high RPM during flight, even slight imbalances in the tail blades can place high stress on the tail mechanics.

M4X-403

 Main rotor 420mm (×2)	 M4X-71mm tail blade (×2)	 Shim φ2xφ8x0.2mm (×4)	
 Socket cap screw (Thread length 4mm) M2x12mm (×2)	 Socket cap screw M3x18mm (×2)	 M2 Nylon locknut (×2)	 M3 Nylon locknut (×2)

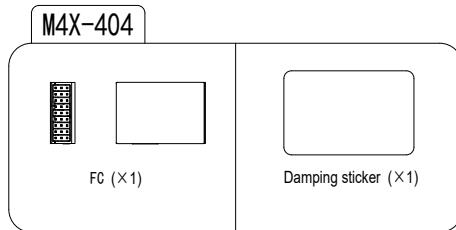
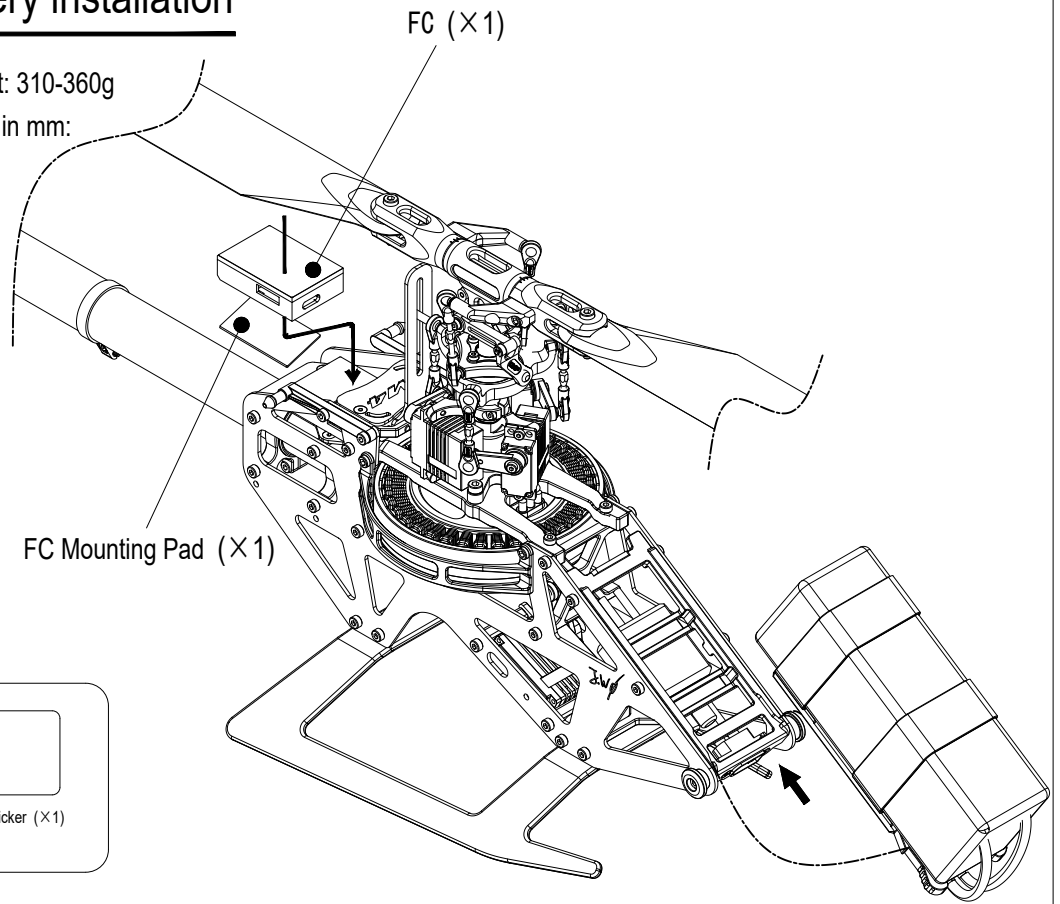
※ Properly tighten the main and tail rotor blades so that they do not fall under their own weight, but are easy to move in the blade grips. Over-tightening may cause damage to the rotor blade and compromise flight safety.

4-4 ESC, FC, Battery installation

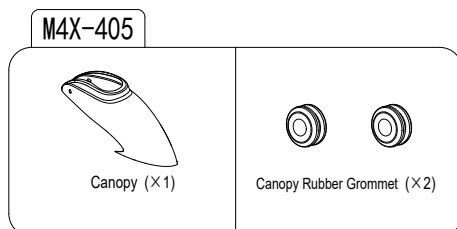
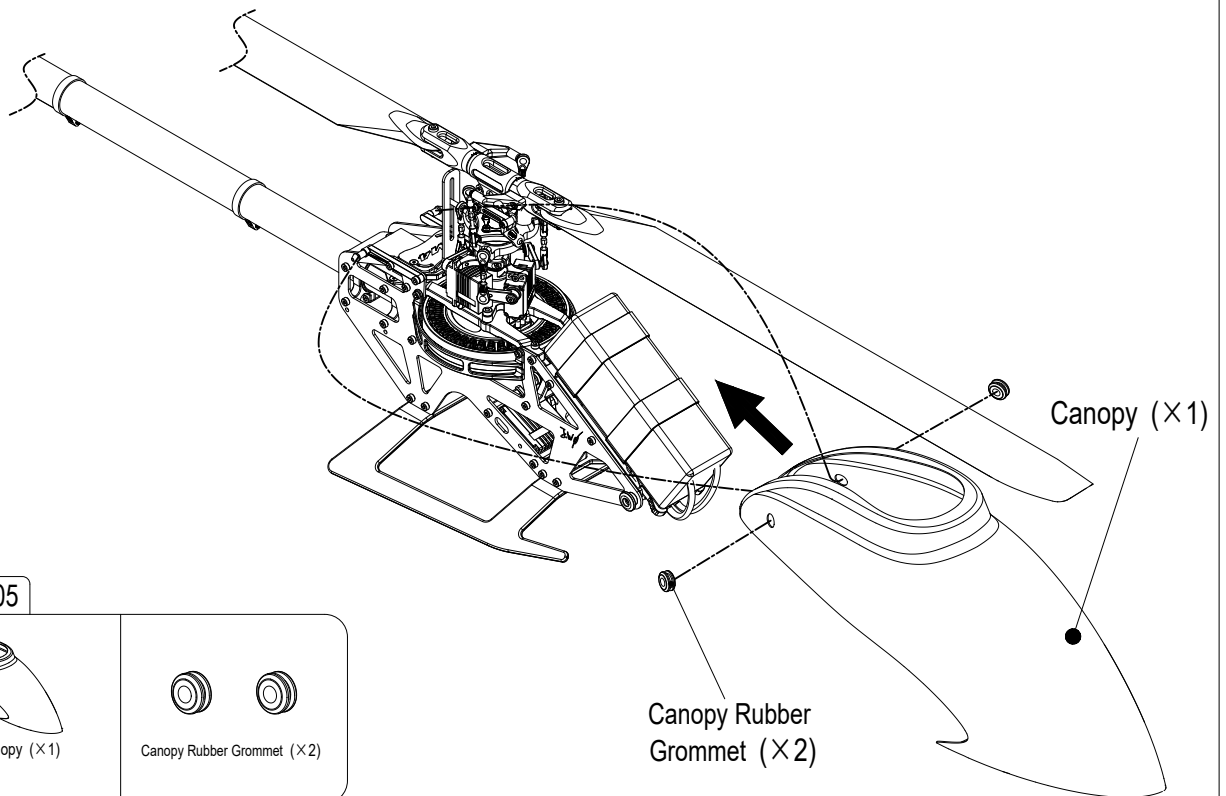
※ Recommended battery weight: 310-360g

Possible max battery dimensions in mm:

- 35x40x160 35x43x140
- 35x46x130 35x48x120
- 35x50x110 35x53x90
- 35x55x70



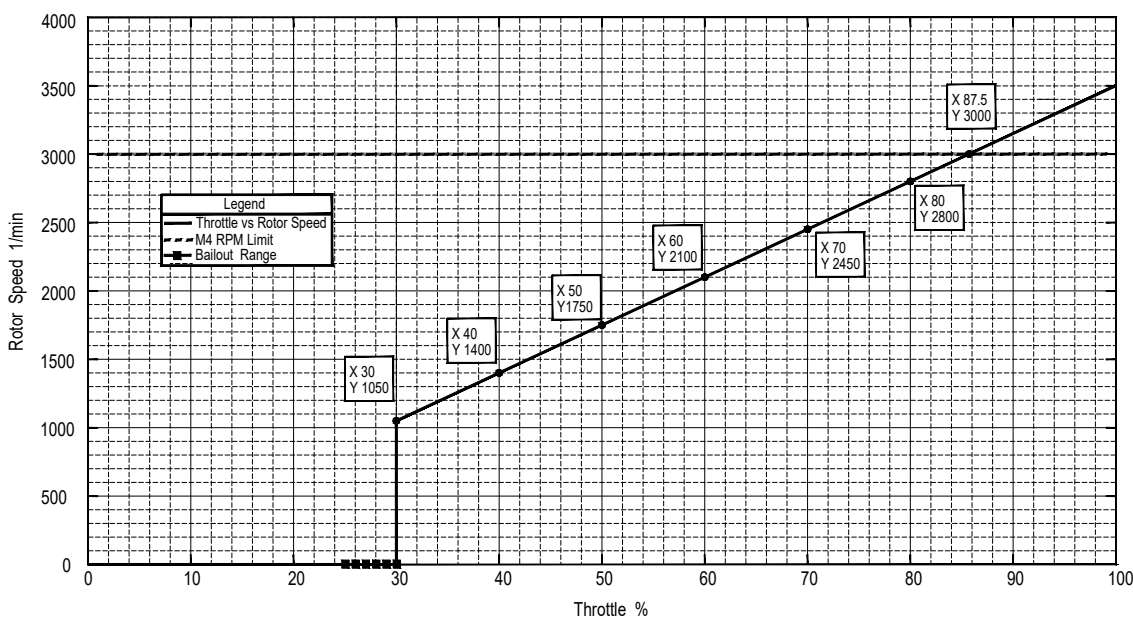
4-5 Canopy Installation



Collective pitch and rotor speed recommendations

Flying Style	Recommended RPM Range	Recommended Collective Pitch Range
Hovering	1400-1800RPM	-5° +12°
Low RPM 3D	1500-1900RPM	±16°
Sport	1600-1900RPM	±13°
Aerobatics	2000-2300RPM	±13°
Soft 3D	2300-2600RPM	±13°
Hard 3D	2600-2850RPM	±13°
Tareq Alsaadi	3000RPM	±12°

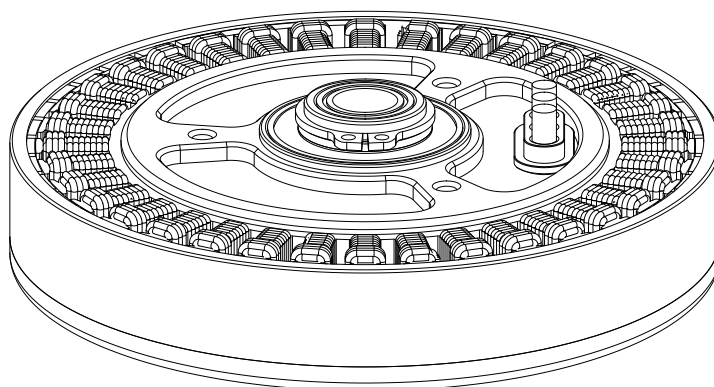
- Maximum Rotor Speed: 3000RPM
- Maximum Collective Pitch below 1900RPM: ±16°
- Maximum Collective Pitch below 2850RPM: ±13°
- Maximum Collective Pitch above 2850RPM: ±12°
- Recommended Rotor Blades: RotorTech 420mm Ultimate, OMPHOBBY APEX 420mm.



Spare parts Pack

	Model	Quantity
Screw	Socket cap screw M2x4mm	2
	Socket cap screw M2.5x5mm	2
	Socket cap screw M2.5x6mm	2
	Socket cap screw M2.5x8mm	1
	Socket cap screw M2.5x10mm	1
	Countersunk head hexagon socket screw M2x3mm	2
	Countersunk head hexagon socket screw M2.5x5mm	2
Washers	Washers $\Phi 2 \times \Phi 4.3 \times 0.5 \text{mm}$	2
	Washers $\Phi 2 \times \Phi 8 \times 0.2 \text{mm}$	2
	Washers $\Phi 3 \times \Phi 4.5 \times 0.2 \text{mm}$	4
	Washers $\Phi 5 \times \Phi 6 \times 0.5 \text{mm}$	2
	Washers $\Phi 2 \times \Phi 3.2 \times 0.5 \text{mm}$	2
	Washers $\Phi 8.05 \times \Phi 10 \times 0.2 \text{mm}$	3

Motor specifications



V8110 KV185 36N42P 308g

Servo Spec

OMPHOBBY M4 Micro Tail Servo

Model	2312T	Operating Voltage:	4.8V-8.4V
Working pulse length:	500-1000us	Max Freq:	PWM max.560Hz
Connector:	3P Dupont	Wire length:	220mm
Servo Arm:	25T	Operation Angle:	140 Deg
Item:	Spec		
Operating Voltage:	7.4V		
Dead Band:	2u		
Stall Current	1.7A		
Operating Speed(no load):	0.053sec/60°		
Torque:	3.5kg.cm		
Stall Torque:	7kg.cm		
Weight	21g		

OMPHOBBY M4 Max Mini Tail Servo

Model	3515T	Operating Voltage:	4.8V-8.4V
Working pulse length:	500-1000us	Max Freq:	PWM max.560Hz
Connector:	3P Dupont	Wire length:	220mm
Servo Arm:	5mm 25T	Operation Angle:	140 Deg
Item:	Spec		
Operating Voltage:	7.4V		
Dead Band:	2u		
Stall Current	3.4A		
Operating Speed(no load):	0.051sec/60°		
Torque:	4.5kg.cm		
Stall Torque:	9.5kg.cm		
Weight	43g		

OMPHOBBY M4 Max Micro cyclic Servo

Model	2312C	Operating Voltage:	4.8V-8.4V
Working pulse length:	800-2200us	Max Freq:	PWM max.333Hz
Connector:	3P Dupont	Wire length:	220mm
Servo Arm:	25T	Operation Angle:	140 Deg
Item:	Spec		
Operating Voltage:	7.4V		
Dead Band:	2u		
Stall Current	1.7A		
Operating Speed(no load):	0.073sec/60°		
Torque:	4.9kg.cm		
Stall Torque :	9kg.cm		

ESC 85A Specification

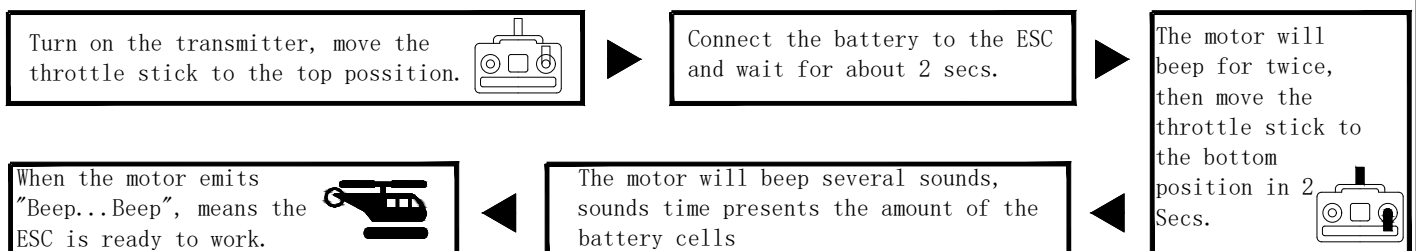
Continuous/Peak current	85A/120A
Input voltage	3-6S Lipo HV
BEC	6V/7.4V/8.4V*, 10A
Input/output wire	Black & Red 12AWG Silicon wire / Black 14AWG Silicon wire.
Size/Weight	67x33x20mm / 66g

Wire Connections

1. Throttle signal/BEC output wire (Black, Red, White): Plugs into the receiver throttle channel. The white wire carries the throttle signal, the red wire and black wire carry the BEC voltage and ground.
2. RPM signal wire (Yellow): Plug into the RPM input port. (If applicable)

Throttle calibration procedure

(Important:Please make the throttle calibration for the first time using ESC!!!)



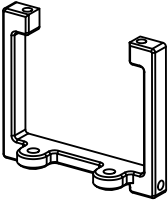
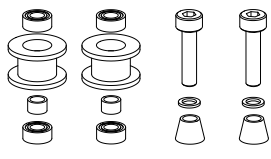
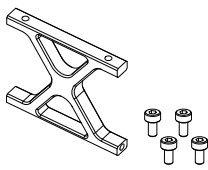
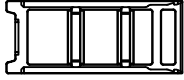
<p>Model: OSHM4X001 配件编号: OSHM4X001 Package: Hang tag +PE bag 包装方式: 吊卡+PE袋 Product name: X Main Plate (Black) 配件名称: X飞机主固定板(黑色)</p> <p>Socket cap screw M2.5x10mm (X4)</p>	<p>Model: OSHM4002B 配件编号: OSHM4002B Package: Hang tag +PE bag 包装方式: 吊卡+PE袋 Product name: Swashplate (Black) 配件名称: 倾斜盘组(黑色)</p>	<p>Model: OSHM4003B 配件编号: OSHM4003B Package: Hang tag +PE bag 包装方式: 吊卡+PE袋 Product name: Servo Mount (Black) 配件名称: 舵机固定支架组(黑色)</p> <p>Bearing $\phi 6 \times \phi 14 \times 4 \text{mm}$ (X2)</p>	<p>Model: OSHM4004 配件编号: OSHM4004 Package: Hang tag +PE bag 包装方式: 吊卡+PE袋 Product name: Cyclic Servo Set 配件名称: 倾斜舵机组</p> <p>Socket cap screw M2x4mm (X3) Ball Joint Screw - L4.65 (X1) M2 Nylon locknut (X1)</p>
---	---	---	--

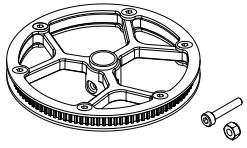
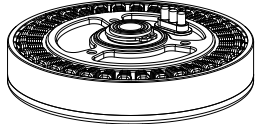
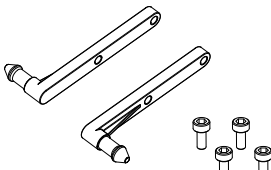
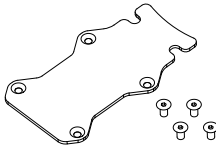
<p>Model: OSHM4005 配件编号: OSHM4005 Package: Hang tag +PE bag 包装方式: 吊卡+PE袋 Product name: Main Rotor Shaft 配件名称: 主轴</p>	<p>Model: OSHM4006 配件编号: OSHM4006 Package: Hang tag +PE bag 包装方式: 吊卡+PE袋 Product name: Feathering Shaft 配件名称: 横轴</p> <p>Socket cap screw M3x6mm (X4) Shim $\phi 3 \times \phi 6.5 \times 0.5 \text{mm}$ (X4)</p>	<p>Model: OSHM4007B 配件编号: OSHM4007B Package: Hang tag +PE bag 包装方式: 吊卡+PE袋 Product name: Main Shaft Clamp (Black) 配件名称: 主轴限位环(黑色)</p> <p>Socket cap screw M2.5x8mm (X1)</p>	<p>Model: OSHM4008B 配件编号: OSHM4008B Package: Hang tag +PE bag 包装方式: 吊卡+PE袋 Product name: Main Rotor Hub (Black) 配件名称: 主旋翼固定座(黑色)</p> <p>Socket cap screw M2.5x15mm (X1) M2.5 Nylon locknut (X1)</p>
---	---	--	---

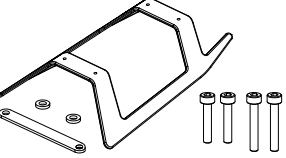
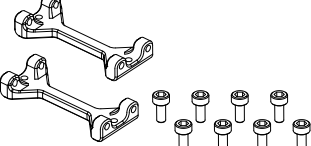
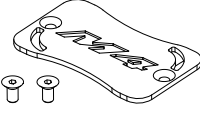
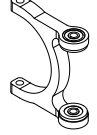
<p>Model: OSHM4009B 配件编号: OSHM4009B Package: Hang tag +PE bag 包装方式: 吊卡+PE袋 Product name: Main Rotor Blade Grip Set (Black) 配件名称: 主旋翼夹臂组(黑色)</p> <p>Bearing $\phi 5 \times \phi 10 \times 4 \text{mm}$ (X4) Thrust Bearing $\phi 5 \times \phi 10 \times 4 \text{mm}$ (X2) Shim $\phi 5 \times \phi 6 \times 0.5 \text{mm}$ (X2)</p> <p>M3 Nylon locknut (X2) Socket cap screw M3x18mm (X2)</p>	<p>Model: OSHM4010B 配件编号: OSHM4010B Package: Hang tag +PE bag 包装方式: 吊卡+PE袋 Product name: Main Rotor Grip Arm Set (Black) 配件名称: 主旋翼夹臂组(黑色)</p> <p>Socket cap screw M2.5x6mm (X2) Ball Joint Screw - L3 (X2)</p>	<p>Model: OSHM4011 配件编号: OSHM4011 Package: Hang tag +PE bag 包装方式: 吊卡+PE袋 Product name: Swashplate Driver Linkage Set 配件名称: 倾斜盘支架组</p>	<p>Model: OSHM4012B 配件编号: OSHM4012B Package: Hang tag +PE bag 包装方式: 吊卡+PE袋 Product name: Swashplate Driver Arm Set (Black) 配件名称: 螺旋辅助臂组(黑色)</p> <p>Socket cap screw M2x16mm (X2) Shim $\phi 2 \times \phi 3.2 \times 0.5 \text{mm}$ (X4) Bearing $\phi 2 \times \phi 5.2 \times 5 \text{mm}$ (X4)</p>
---	--	--	--

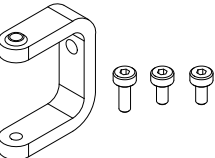
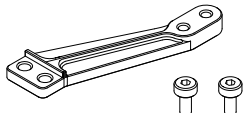
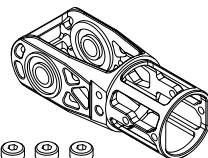
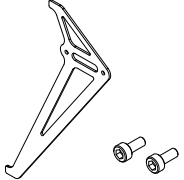
<p>Model: OSHM4X002 配件编号: OSHM4X002 Package: Hang tag +PE bag 包装方式: 吊卡+PE袋 Product name: X Tail Servo Set 配件名称: X尾舵机组</p> <p>Socket cap screw M2x4mm (X2) Socket cap screw M2.5x5mm (X1) Countersunk head hexagon socket screw M3x6mm (X1) Ball Joint Screw - L4.65 (X1) M2 Nylon locknut (X1)</p>	<p>Model: OSHM4X003R 配件编号: OSHM4X003R Package: Hang tag +PE bag 包装方式: 吊卡+PE袋 Product name: X Right Main Frame 配件名称: X右机身侧板</p>	<p>Model: OSHM4X003L 配件编号: OSHM4X003L Package: Hang tag +PE bag 包装方式: 吊卡+PE袋 Product name: X Left Main Frame 配件名称: X左机身侧板</p>	<p>Model: OSHM4015 配件编号: OSHM4015 Package: Hang tag +PE bag 包装方式: 吊卡+PE袋 Product name: Swashplate Spherical Ball Joint 配件名称: 倾斜球固定座组</p>
---	---	--	---

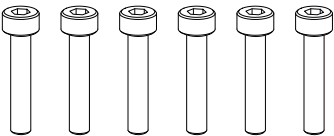
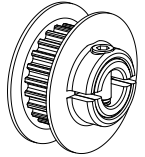
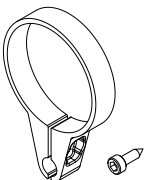
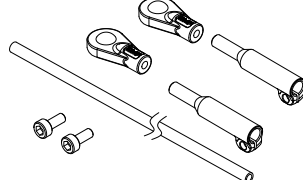
<p>Model: OSHM4016B 配件编号: OSHM4016B Package: Hang tag +PE bag 包装方式: 吊卡+PE袋 Product name: Swashplate Guidance Mount (Black) 配件名称: 倾斜盘导向板安装座(黑色)</p> <p>Socket cap screw M2.5x8mm (X4)</p>	<p>Model: OSHM4017 配件编号: OSHM4017 Package: Hang tag +PE bag 包装方式: 吊卡+PE袋 Product name: Swashplate Guidance Plate 配件名称: 倾斜盘导向板</p> <p>Countersunk head hexagon socket screw M2.5x5mm (X2)</p>	<p>Model: OSHM4X004 配件编号: OSHM4X004 Package: Hang tag +PE bag 包装方式: 吊卡+PE袋 Product name: X Tail Boom Mount (Black) 配件名称: X尾管固定座(黑色)</p> <p>Socket cap screw M2.5x5mm (X4) Socket cap screw M2.5x8mm (X1)</p>	<p>Model: OSHM4X005 配件编号: OSHM4X005 Package: Hang tag +PE bag 包装方式: 吊卡+PE袋 Product name: X Tail Boom Mount convex (Black) 配件名称: X尾管固定座凸(黑色)</p> <p>Socket cap screw M2.5x5mm (X4) Socket cap screw M2.5x8mm (X1)</p>
---	---	--	--

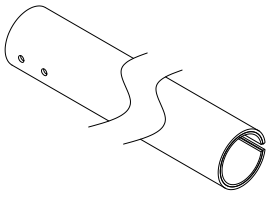
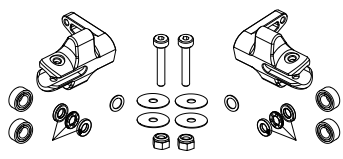
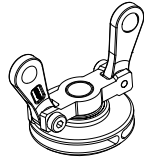
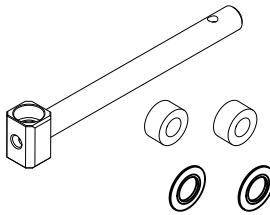
<p>Model: OSHM4019B Package: Hang tag +PE bag 配件编号: OSHM4019B 包装方式: 吊卡+PE袋 Product name: Square Frame Brace (Black) 配件名称: 张紧轮支架 (黑色)</p> 	<p>Model: OSHM4X006 Package: Hang tag +PE bag 配件编号: OSHM4X006 包装方式: 吊卡+PE袋 Product name: X Idler Pulley Set (Black) 配件名称: X皮带张紧轮组 (黑色)</p>  <p>Bearing $\phi 3 \times \phi 6 \times 2.5 \text{mm}$ (X4) Bushing $\phi 3 \times \phi 4 \times 2.5 \text{mm}$ (X2) Shim $\phi 3.05 \times \phi 4.5 \times 0.5 \text{mm}$ (X2) Socket cap screw M3x16mm (X2)</p>	<p>Model: OSHM4021B Package: Hang tag +PE bag 配件编号: OSHM4021B 包装方式: 吊卡+PE袋 Product name: X Frame Brace (Black) 配件名称: 机身侧板支撑架 (黑色)</p>  <p>Socket cap screw M2.5x5mm (X4)</p>	<p>Model: OSHM4022 Package: Hang tag +PE bag 配件编号: OSHM4022 包装方式: 吊卡+PE袋 Product name: Battery Rail 配件名称: 电池导轨</p>  <p>Socket cap screw M2.5x5mm (X6)</p>
---	---	---	---

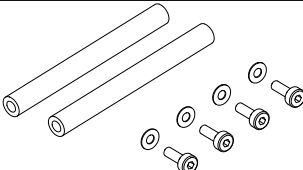

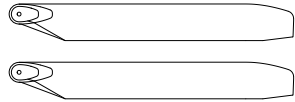
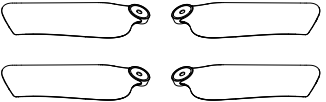
<p>Model: OSHM4X007 Package: Hang tag +PE bag 配件编号: OSHM4X007 包装方式: 吊卡+PE袋 Product name: X Main Pulley 99t (Black) 配件名称: X 主同步滑轮组 (黑色)</p>  <p>Socket cap screw M2.5x15mm (X1) Countersunk head hexagon socket screw M2x3mm (X12) M2.5 Nylon locknut (X1)</p>	<p>Model: OSHM4X008 Package: Hang tag +PE bag 配件编号: OSHM4X008 包装方式: 吊卡+PE袋 Product name: SUNNYSKY 8110 配件名称: 8110动力电机</p> 	<p>Model: OSHM4025 Package: Hang tag +PE bag 配件编号: OSHM4025 包装方式: 吊卡+PE袋 Product name: Canopy Mounting Post 配件名称: 头罩安装柱</p>  <p>Socket cap screw M2.5x8mm (X4)</p>	<p>Model: OSHM4026 Package: Hang tag +PE bag 配件编号: OSHM4026 包装方式: 吊卡+PE袋 Product name: Flight Control Mounting Plate 配件名称: 飞控固定板</p>  <p>Countersunk head hexagon socket screw M2.5x5mm (X4)</p>
---	--	---	--

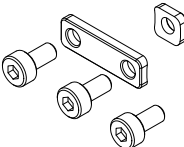
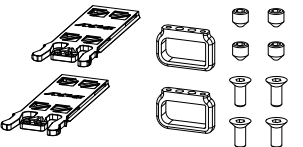
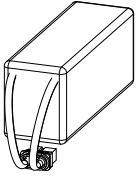
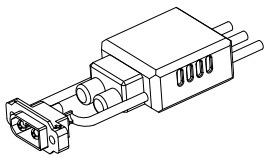
<p>Model: OSHM4X009 Package: Hang tag +PE bag 配件编号: OSHM4X009 包装方式: 吊卡+PE袋 Product name: X Landing skid 配件名称: X脚架</p>  <p>Socket cap screw M2.5x10mm (X2) Socket cap screw M2.5x12mm (X2) Shim $\phi 2.6 \times \phi 5 \times 1 \text{mm}$ (X2)</p>	<p>Model: OSHM4028B Package: Hang tag +PE bag 配件编号: OSHM4028B 包装方式: 吊卡+PE袋 Product name: Landing Skid Mount set (Black) 配件名称: 脚架固定座 (黑色)</p>  <p>Socket cap screw M2.5x5mm (X8)</p>	<p>Model: OSHM4029 Package: Hang tag +PE bag 配件编号: OSHM4029 包装方式: 吊卡+PE袋 Product name: Receiver Mounting Plate 配件名称: 接收机垫板</p>  <p>Countersunk head hexagon socket screw M2.5x5mm (X2)</p>	<p>Model: OSHM4030B Package: Hang tag +PE bag 配件编号: OSHM4030B 包装方式: 吊卡+PE袋 Product name: Tail Bellcrank (Black) 配件名称: 尾变距推座 (黑色)</p>  <p>Flanged Bearing $\phi 2 \times \phi 6 \times 3 \text{mm}$ (X2)</p>
--	---	---	--


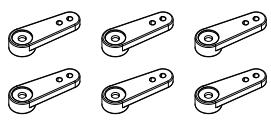
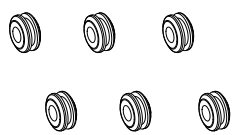
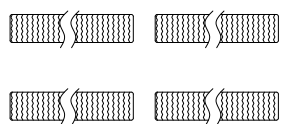
<p>Model: OSHM4X010 Package: Hang tag +PE bag 配件编号: OSHM4X010 包装方式: 吊卡+PE袋 Product name: X Tail Bellcrank Base (Black) 配件名称: X尾变距支撑座 (黑色)</p>  <p>Socket cap screw M2x6mm (X2) Socket cap screw M2.5x5mm (X1)</p>	<p>Model: OSHM4X034 Package: Hang tag +PE bag 配件编号: OSHM4X034 包装方式: 吊卡+PE袋 Product name: X Tail Bellcrank Arm 配件名称: X尾变距连接摆臂</p>  <p>Socket cap screw M2x4mm (X2)</p>	<p>Model: OSHM4X011 Package: Hang tag +PE bag 配件编号: OSHM4X011 包装方式: 吊卡+PE袋 Product name: Tail Case (Black) 配件名称: 尾波箱 (黑色)</p>  <p>Socket cap screw M2.5x5mm (X4) Flanged Bearing $\phi 5 \times \phi 13 \times 4 \text{mm}$ (X2)</p>	<p>Model: OSHM4X012 Package: Hang tag +PE bag 配件编号: OSHM4X012 包装方式: 吊卡+PE袋 Product name: X Tail Fin 配件名称: X尾垂直翼</p>  <p>Socket cap screw M2.5x5mm (X2)</p>
--	---	---	--

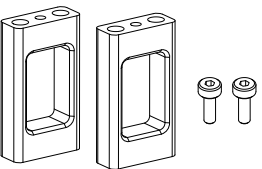
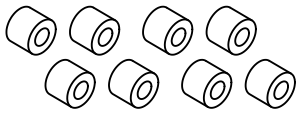
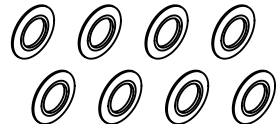
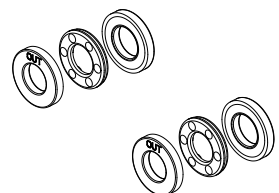
<p>Model: OSHM4X033 Package: Hang tag +PE bag 配件编号: OSHM4X033 包装方式: 吊卡+PE袋 Product name: Socket cap screw M3x16mm 配件名称: 圆柱头内六角螺丝 (半牙) M3x16mm</p> 	<p>Model: OSHM4X014 Package: Hang tag +PE bag 配件编号: OSHM4X014 包装方式: 吊卡+PE袋 Product name: X Tail Pulley 22t (Black) 配件名称: X尾同步滑轮 (黑色)</p>  <p>Screw M2x10.5mm (X1)</p>	<p>Model: OSHM4X015 Package: Hang tag +PE bag 配件编号: OSHM4X015 包装方式: 吊卡+PE袋 Product name: X Tail Linkage Guide 配件名称: X尾舵机连杆支撑座</p>  <p>Self-tapping screws M2x6mm (X1)</p>	<p>Model: OSHM4X016 Package: Hang tag +PE bag 配件编号: OSHM4X016 包装方式: 吊卡+PE袋 Product name: X Tail Linkage Rod Set 配件名称: X尾舵机连杆组</p>  <p>4.5 linkage ball set (M2.5) (X2) Socket cap screw M2x6mm (X2)</p>
---	---	--	--

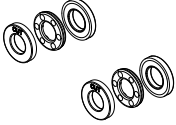
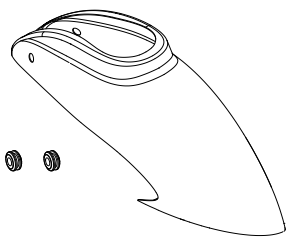
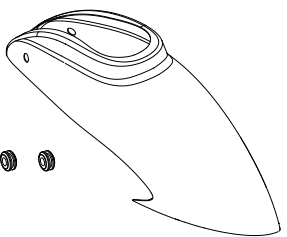
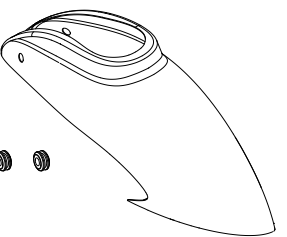
<p>Model: OSHM4X017 配件编号: OSHM4X017 Product name: X Tail Boom 配件名称: X尾管</p> 	<p>Package: Hang tag +PE bag 包装方式: 吊卡+PE袋</p>	<p>Model: OSHM4X018 配件编号: OSHM4X018 Product name: X Tail Blade Grip Set (Black) 配件名称: X尾旋翼夹组 (黑色)</p>  <p>Bearing $\phi 3 \times \phi 6 \times 2.5 \text{mm}$ (X4) Thrust Bearing $\phi 3 \times \phi 6 \times 2.8 \text{mm}$ (X2) M2 Nylon locknut (X2) Shim $\phi 3 \times \phi 4.5 \times 0.2 \text{mm}$ (X2) Socket cap screw M2x12mm (X2) Shim $\phi 2 \times \phi 8 \times 0.2 \text{mm}$ (X4)</p>	<p>Model: OSHM4042B 配件编号: OSHM4042B Product name: Tail Pitch Slider Set (Black) 配件名称: 尾变距滑动座组 (黑色)</p>  <p>Bearing $\phi 6 \times \phi 10 \times 3 \text{mm}$ (X2) Shim $\phi 6 \times \phi 7 \times 1 \text{mm}$ (X1) Socket cap screw M2x6mm (X2) Tail Slider Joint Bushing $\phi 2 \times \phi 3 \times 3 \text{mm}$ (X1)</p>	<p>Model: OSHM4X019 配件编号: OSHM4X019 Product name: X Tail Rotor Shaft 配件名称: X尾主轴</p> 
---	---	---	---	---

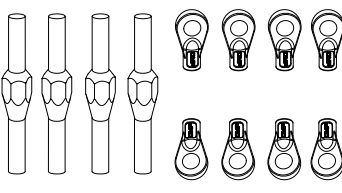
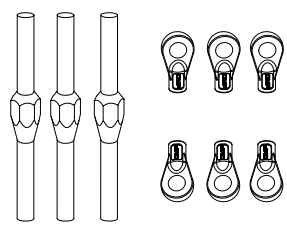
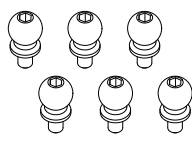
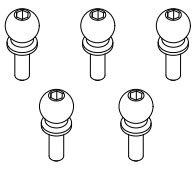
<p>Model: OSHM4044 配件编号: OSHM4044 Product name: Tail Spindle Shaft 配件名称: 尾中心座轴组</p>  <p>Socket cap screw M2x6mm (X4) Shim $\phi 2 \times \phi 4.5 \times 0.2 \text{mm}$ (X4)</p>	<p>Package: Hang tag +PE bag 包装方式: 吊卡+PE袋</p>	<p>Model: OSHM4X020 配件编号: OSHM4X020 Product name: X Timing Belt 配件名称: X同步皮带</p> 	<p>Model: OSHM4X021 配件编号: OSHM4X021 Product name: 420mm Main blade 配件名称: 420主旋翼</p> 	<p>Package: Hang tag +PE bag 包装方式: 吊卡+PE袋</p>	<p>Model: OSHM4X032 配件编号: OSHM4X032 Product name: X OMPHOBBY 71mm Tail blade 配件名称: X 71mm尾旋翼桨</p> 
---	---	---	--	---	---

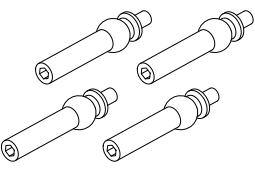
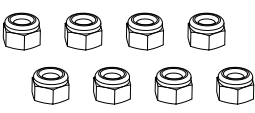
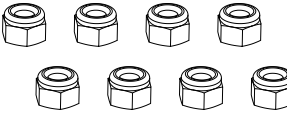
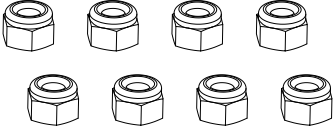
<p>Model: OSHM4X022 配件编号: OSHM4X022 Product name: X Tail Boom Washer 配件名称: X尾管垫片</p>  <p>Socket cap screw M2.5x5mm (X3)</p>	<p>Package: Hang tag +PE bag 包装方式: 吊卡+PE袋</p>	<p>Model: OSHM4048 配件编号: OSHM4048 Product name: Battery Tray Set 配件名称: 电池板组</p>  <p>Countersunk head hexagon socket screw M2x6mm (X6) Set Screw M3x3mm (X6)</p>	<p>Model: OSHM4049 配件编号: OSHM4049 Product name: 6S 2000mAh HV Battery 配件名称: 6S 2000mAh HV电池</p> 	<p>Package: Hang tag +PE bag 包装方式: 吊卡+PE袋</p>	<p>Model: OSHM4X023 配件编号: OSHM4X023 Product name: 85A ESC 配件名称: 85A电调</p> 
--	---	--	--	---	---

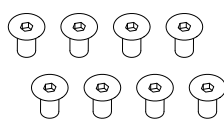
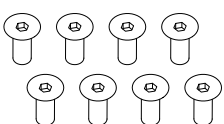
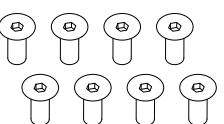
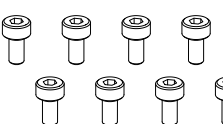
<p>Model: OSHM4X035 配件编号: OSHM4X035 Product name: X Blade Caddy 配件名称: X桨托</p> 	<p>Package: Hang tag +PE bag 包装方式: 吊卡+PE袋</p>	<p>Model: OSHM4052 配件编号: OSHM4052 Product name: Servo Arm Set 配件名称: 舵机摆臂</p> 	<p>Model: OSHM4053 配件编号: OSHM4053 Product name: Canopy mount set 配件名称: 机罩固定圈</p> 	<p>Package: Hang tag +PE bag 包装方式: 吊卡+PE袋</p>	<p>Model: OSHM4054 配件编号: OSHM4054 Product name: Battery Velcro Strap Set 配件名称: 电池扎带</p> 
---	---	--	---	---	---

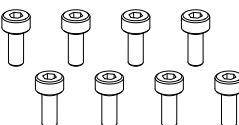
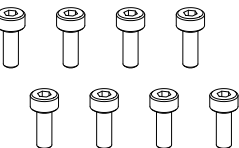
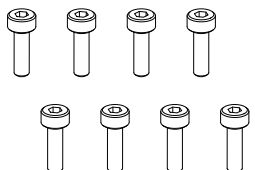
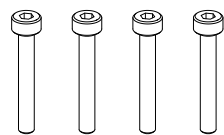
<p>Model: OSHM4055B 配件编号: OSHM4055B Product name: Tail Servo Mount Set (Black) 配件名称: 尾舵机固定座 (黑色)</p>  <p>Socket cap screw M2.5x5mm (X2)</p>	<p>Package: Hang tag +PE bag 包装方式: 吊卡+PE袋</p>	<p>Model: OSHM4056 配件编号: OSHM4056 Product name: Main Rotor Damper Set 配件名称: 横轴减震套</p> 	<p>Model: OSHM4057 配件编号: OSHM4057 Product name: Feathering Shaft Damper Spacer 配件名称: 横轴松紧垫圈</p> 	<p>Package: Hang tag +PE bag 包装方式: 吊卡+PE袋</p>	<p>Model: OSHM4058 配件编号: OSHM4058 Product name: Main Rotor Thrust Bearing 配件名称: 主旋翼夹止推轴承</p> 
--	---	---	--	---	--

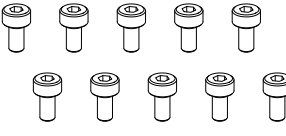
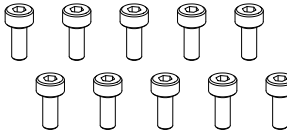
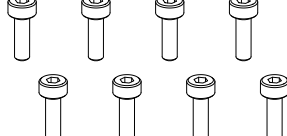
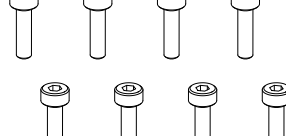
<p>Model: OSHM4059 Package: Hang tag +PE bag 配件编号: OSHM4059 包装方式: 吊卡+PE袋 Product name: Tail Rotor Thrust Bearing 配件名称: 尾旋翼夹止推轴承</p> 	<p>Model: OSHM4X024G Package: Hang tag +PE bag 配件编号: OSHM4X024G 包装方式: 吊卡+PE袋 Product name: X Canopy-Green 配件名称: X头罩(绿)</p> 	<p>Model: OSHM4X024O Package: Hang tag +PE bag 配件编号: OSHM4X024O 包装方式: 吊卡+PE袋 Product name: X Canopy-Orange 配件名称: X头罩(橙)</p> 	<p>Model: OSHM4X024R Package: Hang tag +PE bag 配件编号: OSHM4X024R 包装方式: 吊卡+PE袋 Product name: X Canopy-Red 配件名称: X头罩(红)</p> 
--	---	---	---

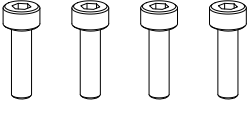
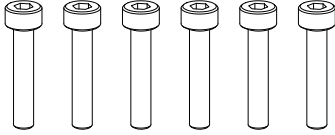
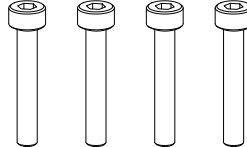
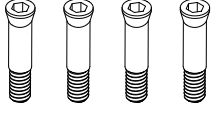
<p>Model: OSHM4062 Package: Hang tag +PE bag 配件编号: OSHM4062 包装方式: 吊卡+PE袋 Product name: Servo Linkage Set 配件名称: 舵机连杆组</p> 	<p>Model: OSHM4063 Package: Hang tag +PE bag 配件编号: OSHM4063 包装方式: 吊卡+PE袋 Product name: Main Rotor Linkage Set 配件名称: 主旋翼连杆</p> 	<p>Model: OSHM4064 Package: Hang tag +PE bag 配件编号: OSHM4064 包装方式: 吊卡+PE袋 Product name: Ball Joint Screw - L3 (Rotors) 配件名称: 球头螺丝-L3</p> 	<p>Model: OSHM4065 Package: Hang tag +PE bag 配件编号: OSHM4065 包装方式: 吊卡+PE袋 Product name: Ball Joint Screw - L4.65 (Servos) 配件名称: 球头螺丝-L4.65</p> 
--	--	---	--

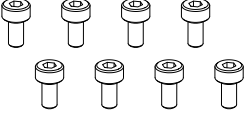
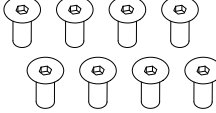
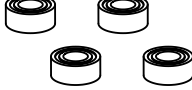
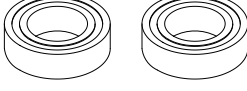
<p>Model: OSHM4066 Package: Hang tag +PE bag 配件编号: OSHM4066 包装方式: 吊卡+PE袋 Product name: Swashplate Guidance Ball Joint Screw 配件名称: 倾斜盘相位球头螺丝</p> 	<p>Model: OSHM4067 Package: Hang tag +PE bag 配件编号: OSHM4067 包装方式: 吊卡+PE袋 Product name: M2 Nylon locknut 配件名称: M2尼龙防松螺母</p> 	<p>Model: OSHM4068 Package: Hang tag +PE bag 配件编号: OSHM4068 包装方式: 吊卡+PE袋 Product name: M2.5 Nylon locknut 配件名称: M2.5尼龙防松螺母</p> 	<p>Model: OSHM4069 Package: Hang tag +PE bag 配件编号: OSHM4069 包装方式: 吊卡+PE袋 Product name: M3 Nylon locknut 配件名称: M3尼龙防松螺母</p> 
--	---	--	---

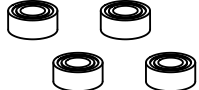
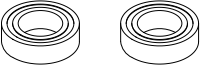
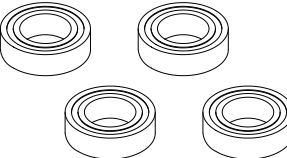
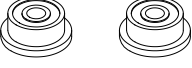
<p>Model: OSHM4070 Package: Hang tag +PE bag 配件编号: OSHM4070 包装方式: 吊卡+PE袋 Product name: Countersunk head hexagon socket screw M2x3mm 配件名称: 沉头内六角螺丝M2x3mm</p> 	<p>Model: OSHM4071 Package: Hang tag +PE bag 配件编号: OSHM4071 包装方式: 吊卡+PE袋 Product name: Countersunk head hexagon socket screw M2x6mm 配件名称: 沉头内六角螺丝M2x6mm</p> 	<p>Model: OSHM4072 Package: Hang tag +PE bag 配件编号: OSHM4072 包装方式: 吊卡+PE袋 Product name: Countersunk head hexagon socket screw M2.5x5mm 配件名称: 沉头内六角螺丝M2.5x5mm</p> 	<p>Model: OSHM4073 Package: Hang tag +PE bag 配件编号: OSHM4073 包装方式: 吊卡+PE袋 Product name: Socket cap screw M2x4mm 配件名称: 圆柱头内六角螺丝M2x4mm</p> 
--	--	---	--

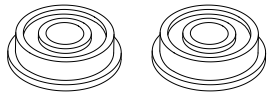

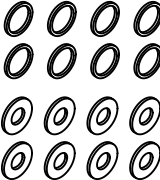
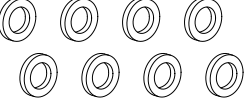
<p>Model: OSHM4074 Package: Hang tag +PE bag 配件编号: OSHM4074 包装方式: 吊卡+PE袋 Product name: Socket cap screw M2x6mm 配件名称: 圆柱头内六角螺丝M2x6mm</p> 	<p>Model: OSHM4075 Package: Hang tag +PE bag 配件编号: OSHM4075 包装方式: 吊卡+PE袋 Product name: Socket cap screw M2.5x8mm 配件名称: 圆柱头内六角螺丝(半牙) M2.5x8mm</p> 	<p>Model: OSHM4076 Package: Hang tag +PE bag 配件编号: OSHM4076 包装方式: 吊卡+PE袋 Product name: Socket cap screw(Thread length 4mm) M2x12mm 配件名称: 圆柱头内六角螺丝(螺纹长4mm) M2x12mm</p> 	<p>Model: OSHM4077 Package: Hang tag +PE bag 配件编号: OSHM4077 包装方式: 吊卡+PE袋 Product name: Socket cap screw M2x16mm 配件名称: 圆柱头内六角螺丝M2x16mm</p> 
--	---	---	--

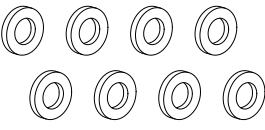
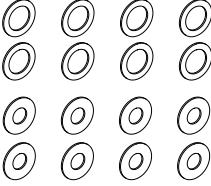
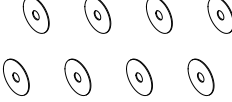

<p>Model: OSHM4078 Package: Hang tag +PE bag 配件编号: OSHM4078 包装方式: 吊卡+PE袋 Product name: Socket cap screw M2.5x5mm 配件名称: 圆柱头内六角螺丝M2.5x5mm</p> 	<p>Model: OSHM4079 Package: Hang tag +PE bag 配件编号: OSHM4079 包装方式: 吊卡+PE袋 Product name: Socket cap screw M2.5x6mm 配件名称: 圆柱头内六角螺丝M2.5x6mm</p> 	<p>Model: OSHM4080 Package: Hang tag +PE bag 配件编号: OSHM4080 包装方式: 吊卡+PE袋 Product name: Socket cap screw M2.5x8mm 配件名称: 圆柱头内六角螺丝M2.5x8mm</p> 	<p>Model: OSHM4081 Package: Hang tag +PE bag 配件编号: OSHM4081 包装方式: 吊卡+PE袋 Product name: Socket cap screw M2.5x10mm 配件名称: 圆柱头内六角螺丝M2.5x10mm</p> 
--	--	---	--

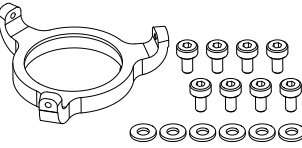
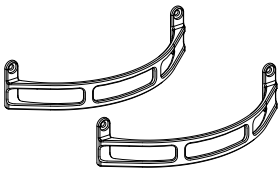
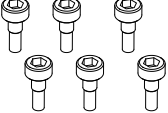

<p>Model: OSHM4082 Package: Hang tag +PE bag 配件编号: OSHM4082 包装方式: 吊卡+PE袋 Product name: Socket cap screw M3x6mm 配件名称: 圆柱头内六角螺丝M3x6mm</p> 	<p>Model: OSHM4083 Package: Hang tag +PE bag 配件编号: OSHM4083 包装方式: 吊卡+PE袋 Product name: Socket cap screw M3x14mm 配件名称: 圆柱头内六角螺丝(半牙) M3x14mm</p> 	<p>Model: OSHM4084 Package: Hang tag +PE bag 配件编号: OSHM4084 包装方式: 吊卡+PE袋 Product name: Socket cap screw M3x18mm 配件名称: 圆柱头内六角螺丝(半牙) M3x18mm</p> 	<p>Model: OSHM4025 Package: Hang tag +PE bag 配件编号: OSHM4025 包装方式: 吊卡+PE袋 Product name: Screw M2x10.5mm 配件名称: 刀杆螺丝 M2x10.5mm</p> 
--	---	--	--


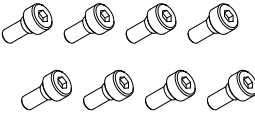
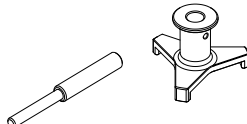
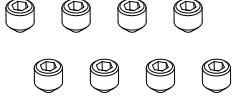
<p>Model: OSHM4026 Package: Hang tag +PE bag 配件编号: OSHM4026 包装方式: 吊卡+PE袋 Product name: Socket cap screw M1.6x3mm 配件名称: 圆柱头内六角螺丝M1.6x3mm</p> 	<p>Model: OSHM4027 Package: Hang tag +PE bag 配件编号: OSHM4027 包装方式: 吊卡+PE袋 Product name: Countersunk head hexagon socket screw M3x6mm 配件名称: 沉头内六角螺丝M3x6mm</p> 	<p>Model: OSHM4085 Package: Hang tag +PE bag 配件编号: OSHM4085 包装方式: 吊卡+PE袋 Product name: Bearing Ø3xØ6x2.5mm 配件名称: 轴承Ø3xØ6x2.5mm</p> 	<p>Model: OSHM4086 Package: Hang tag +PE bag 配件编号: OSHM4086 包装方式: 吊卡+PE袋 Product name: Bearing Ø8xØ14x4mm 配件名称: 轴承Ø8xØ14x4mm</p> 
--	--	--	---

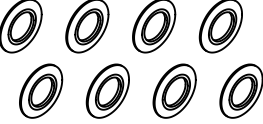
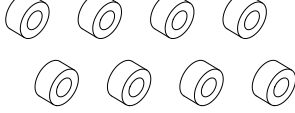
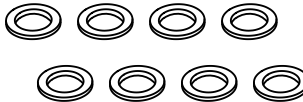
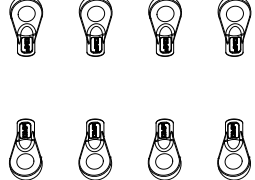
<p>Model: OSHM4087 Package: Hang tag +PE bag 配件编号: OSHM4087 包装方式: 吊卡+PE袋 Product name: Bearing Ø2xØ5x2.5mm 配件名称: 轴承Ø2xØ5x2.5mm</p> 	<p>Model: OSHM4088 Package: Hang tag +PE bag 配件编号: OSHM4088 包装方式: 吊卡+PE袋 Product name: Bearing Ø5xØ10x4mm 配件名称: 轴承Ø5xØ10x4mm</p> 	<p>Model: OSHM4089 Package: Hang tag +PE bag 配件编号: OSHM4089 包装方式: 吊卡+PE袋 Product name: Bearing Ø6xØ10x3mm 配件名称: 轴承Ø6xØ10x3mm</p> 	<p>Model: OSHM4090 Package: Hang tag +PE bag 配件编号: OSHM4090 包装方式: 吊卡+PE袋 Product name: Flange bearing Ø2xØ6x3mm 配件名称: 法兰轴承Ø2xØ6x3mm</p> 
---	---	--	--

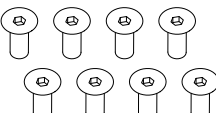
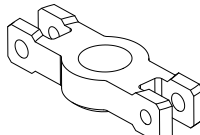
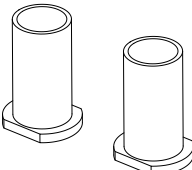
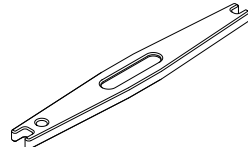
<p>Model: OSHM4091 Package: Hang tag +PE bag 配件编号: OSHM4091 包装方式: 吊卡+PE袋 Product name: Flange bearing Ø5xØ13x4mm 配件名称: 法兰轴承Ø5xØ13x4mm</p> 	<p>Model: OSHM4092 Package: Hang tag +PE bag 配件编号: OSHM4092 包装方式: 吊卡+PE袋 Product name: Bearing Ø20xØ27x4mm 配件名称: 轴承Ø20xØ27x4mm</p> 	<p>Model: OSHM4093 Package: Hang tag +PE bag 配件编号: OSHM4093 包装方式: 吊卡+PE袋 Product name: Washers (Main Blade Grip Set) 配件名称: 垫片(主旋翼头)</p>  <p>Shim Ø3xØ6.5x0.5mm (X8) Shim Ø5xØ6x0.5mm (X8)</p>	<p>Model: OSHM4094 Package: Hang tag +PE bag 配件编号: OSHM4094 包装方式: 吊卡+PE袋 Product name: Washers (Swashplate Driver Arm) 配件名称: 垫片(螺旋桨辅助臂)</p>  <p>Shim Ø2xØ3.2x0.5mm (X8)</p>
--	---	---	---


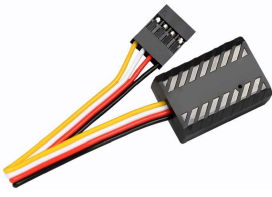
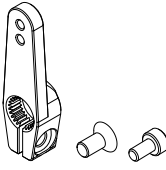
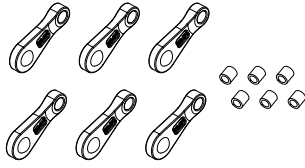
<p>Model: OSHM4095 配件编号: OSHM4095 Package: Hang tag +PE bag 包装方式: 吊卡+PE袋 Product name: Washers (Swash plate) 配件名称: 垫片(倾斜盘)</p>  <p>Shim $\phi 2 \times \phi 4.3 \times 0.5 \text{mm}$ (X8)</p>	<p>Model: OSHM4096 配件编号: OSHM4096 Package: Hang tag +PE bag 包装方式: 吊卡+PE袋 Product name: Washers (Tail Blade Grip Set) 配件名称: 垫片(尾旋翼夹)</p>  <p>Shim $\phi 2 \times \phi 4.5 \times 0.2 \text{mm}$ (X8) Shim $\phi 3 \times \phi 4.5 \times 0.2 \text{mm}$ (X8)</p>	<p>Model: OSHM4097 配件编号: OSHM4097 Package: Hang tag +PE bag 包装方式: 吊卡+PE袋 Product name: Washers (2.6mm Tail Blade Spacers) 配件名称: 垫片(2.6mm尾桨垫片)</p>  <p>Shim $\phi 2 \times \phi 8 \times 0.2 \text{mm}$ (X8)</p>	<p>Model: OSHM4X028 配件编号: OSHM4X028 Package: Hang tag +PE bag 包装方式: 吊卡+PE袋 Product name: Washers (X Tail Fin) 配件名称: 垫片(X尾垂直翼)</p>  <p>Shim $\phi 2.6 \times \phi 5 \times 0.7 \text{mm}$ (X8)</p>
--	--	--	---


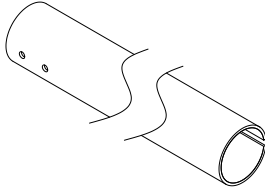
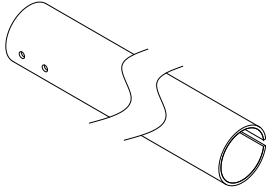
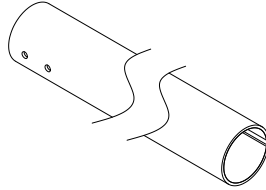
<p>Model: OSHM4098B 配件编号: OSHM4098B Package: Hang tag +PE bag 包装方式: 吊卡+PE袋 Product name: Washplate ring (Black) 配件名称: 倾斜盘外壳(黑色)</p>  <p>Socket cap screw M2x4mm (X8) Shim $\phi 2 \times \phi 4.3 \times 0.5 \text{mm}$ (X6)</p>	<p>Model: OSHM4101 配件编号: OSHM4101 Package: Hang tag +PE bag 包装方式: 吊卡+PE袋 Product name: Motor protective sleeve 配件名称: 电机保护套</p> 	<p>Model: OSHM4102 配件编号: OSHM4102 Package: Hang tag +PE bag 包装方式: 吊卡+PE袋 Product name: Tail Bellcrank Pin M2.5x7x2 配件名称: 尾变距销M2.5x7x2</p> 	<p>Model: OSHM4103 配件编号: OSHM4103 Package: Hang tag +PE bag 包装方式: 吊卡+PE袋 Product name: Canopy grommet 配件名称: 头罩垫圈</p> 
--	--	--	--

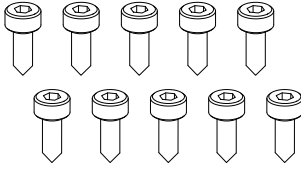
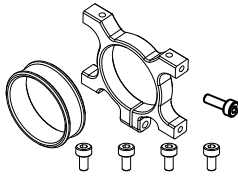

<p>Model: OSHM4104 配件编号: OSHM4104 Package: Hang tag +PE bag 包装方式: 吊卡+PE袋 Product name: Washers (Canopy grommet) 配件名称: 垫片(头罩垫圈)</p>  <p>Shim $\phi 2.5 \times \phi 5 \times 0.5 \text{mm}$ (X8)</p>	<p>Model: OSHM4105 配件编号: OSHM4105 Package: Hang tag +PE bag 包装方式: 吊卡+PE袋 Product name: Step socket cap screw M2.5x6mm 配件名称: 台阶圆柱头内六角M2.5x6mm</p> 	<p>Model: OSHM4107 配件编号: OSHM4107 Package: Hang tag +PE bag 包装方式: 吊卡+PE袋 Product name: Leveling limiter 配件名称: 调平器组</p> 	<p>Model: OSHM4108 配件编号: OSHM4108 Package: Hang tag +PE bag 包装方式: 吊卡+PE袋 Product name: Set Screw M3x3mm 配件名称: 紧定螺丝 M3x3mm</p> 
--	--	---	---

<p>Model: OSHM4109 配件编号: OSHM4109 Package: Hang tag +PE bag 包装方式: 吊卡+PE袋 Product name: Tail Damper Shim 配件名称: 尾横轴松套垫圈</p> 	<p>Model: OSHM4110 配件编号: OSHM4110 Package: Hang tag +PE bag 包装方式: 吊卡+PE袋 Product name: Tail Rubber Damper Shore 配件名称: 尾横轴避震套</p> 	<p>Model: OSHM4111 配件编号: OSHM4111 Package: Hang tag +PE bag 包装方式: 吊卡+PE袋 Product name: Washers (Idle Pulley Set) 配件名称: 垫片(皮带张紧轮组)</p>  <p>Shim $\phi 3.05 \times \phi 4.5 \times 0.5 \text{mm}$ (X8)</p>	<p>Model: OSHM4112 配件编号: OSHM4112 Package: Hang tag +PE bag 包装方式: 吊卡+PE袋 Product name: Universal Ball Joint 配件名称: 4.5连杆球头座</p> 
---	--	---	--

<p>Model: OSHM4113 配件编号: OSHM4113 Package: Hang tag +PE bag 包装方式: 吊卡+PE袋 Product name: Countersunk head hexagon socket screw M2.5x6mm 配件名称: 沉头内六角螺丝M2.5x6mm</p> 	<p>Model: OSHM4114B 配件编号: OSHM4114B Package: Hang tag +PE bag 包装方式: 吊卡+PE袋 Product name: Tail Slider Bridge (Black) 配件名称: 尾部滑块桥(黑色)</p> 	<p>Model: OSHM4115 配件编号: OSHM4115 Package: Hang tag +PE bag 包装方式: 吊卡+PE袋 Product name: Tail Slider Sleeve 配件名称: 尾部滑块套筒</p> 	<p>Model: OSHM4116 配件编号: OSHM4116 Package: Hang tag +PE bag 包装方式: 吊卡+PE袋 Product name: Rod adjustment wrench 配件名称: 拉杆调平扳手</p> 
---	---	---	---

<p>Model: OSHM4117 配件编号: OSHM4117 Package: Hang tag +PE bag 包装方式: 吊卡+PE袋 Product name: ESC LCD program card 配件名称: 电调编程卡</p>	<p>Model: OSHM4118 配件编号: OSHM4118 Package: Hang tag +PE bag 包装方式: 吊卡+PE袋 Product name: BlueTooth program Module 配件名称: 蓝牙编程卡</p>	<p>Model: OSHM4119 配件编号: OSHM4119 Package: Hang tag +PE bag 包装方式: 吊卡+PE袋 Product name: Mid servo metal arm 配件名称: 中舵金属摆臂</p>	<p>Model: OSHM4120 配件编号: OSHM4120 Package: Hang tag +PE bag 包装方式: 吊卡+PE袋 Product name: Tail Slider Joint Arm 配件名称: 尾滑块球头座</p>
		 <p>Socket cap screw M2.5x5mm (X1) Countersunk head hexagon socket screw M3x6mm (X1)</p>	

<p>Model: OSHM4124 配件编号: OSHM4124 Package: Hang tag +PE bag 包装方式: 吊卡+PE袋 Product name: 20g tail servo gear 配件名称: 20g 斜舵机齿轮组</p>	<p>Model: OSHM4X036 配件编号: OSHM4X036 Package: Hang tag +PE bag 包装方式: 吊卡+PE袋 Product name: X Aluminum Tail Boom-Green 配件名称: X铝尾管 (绿)</p>	<p>Model: OSHM4X036 配件编号: OSHM4X036 Package: Hang tag +PE bag 包装方式: 吊卡+PE袋 Product name: X Aluminum Tail Boom-Orang 配件名称: X铝尾管 (橙)</p>	<p>Model: OSHM4X036 配件编号: OSHM4X036 Package: Hang tag +PE bag 包装方式: 吊卡+PE袋 Product name: X Aluminum Tail Boom-Red 配件名称: X铝尾管 (红)</p>
			

<p>Model: OSHM4X037 配件编号: OSHM4X037 Package: Hang tag +PE bag 包装方式: 吊卡+PE袋 Product name: Self-tapping screws M2x6mm 配件名称: 圆柱头内六角自攻牙M2x6</p>	<p>Model: OSHM4X038 配件编号: OSHM4X038 Package: Hang tag +PE bag 包装方式: 吊卡+PE袋 Product name: X Aluminum Tail Boom Mount (Black) 配件名称: X铝尾管固定座 (黑色)</p>	<p>Model: OSHM4X039 配件编号: OSHM4X039 Package: Hang tag +PE bag 包装方式: 吊卡+PE袋 Product name: X Aluminum Tube Mounting Pad (POM) 配件名称: X铝管固定座胶垫 (POM)</p>
	 <p>Socket cap screw M2.5x5mm (x4) Socket cap screw M2.5x8mm (x1) X Aluminum Tube Mounting Pad (POM)</p>	

OMPHOBBY

Zhuhai edge smart drive technology Co., Ltd
www.omphobby.com

© 2023