

SPECIFICATIONS

MODEL	XM9	SXT9
Power Handling (RMS)	250W	200W
Power Handling (PEAK)	500W	400W
Tweeter	26MM Titanium Diaphragm	24MM Titanium Diaphragm
Effective Cone Area	44.65 sq in (Equivalent to 9.1 in. mid range driver)	
Clamp to Tower Fit	1 7/8 in. - 3 in.	
Custom Mounting Adaptors	Call us at 1-888-249-0970 or visit www.exileaudio.com for more information.	
U.S. Patent #	6,798,892 B2	

Have questions? Need help finding an Authorized Exile Audio Dealer?

Give us a call at **1-888-249-0970**
or
email us at **support@exileaudio.com**

For the latest news, product releases and exclusive discounts
follow us:



LIMITED WARRANTY Exile warrants this product to be free from defects in material and workmanship under normal use for a period of one year from date of original purchase when purchased from an Authorized Exile Dealer. If the product is labeled B Stock/Refurbished and purchased from an Authorized Exile Dealer, it is warranted for 90 days from date of purchase, regardless of place of installation. Should service be necessary under this warranty for any reason due to manufacturing defect or malfunction during the warranty period, Exile will replace or repair (at it's discretion) the defective merchandise with equivalent merchandise at no charge. Warranty replacements on B-Stock merchandise may have cosmetic scratches and blemishes. Discontinued products may be replaced with more current equivalent products. This warranty is valid only for the original purchaser and is not extended to owners of the product subsequent to the original purchaser. Any applicable implied warranties are limited in duration to a period of the express warranty as provided herein beginning with the date of the original purchase at retail, and no warranties, whether express or implied, shall apply to this product thereafter. Some states do not allow limitations on implied warranties, therefore these exclusions may not apply to you. This warranty gives you specific legal rights; however you may have other rights that vary from state to state. This warranty is only valid within the USA, for warranties outside of the USA consult the appropriate international distributor.

exile audio

Designed and Engineered in the USA

XM9 SXT9

HIGH DEFINITION TOWER SPEAKERS

OWNER'S MANUAL

Thank you for choosing Exile Audio.

With proper installation, your new speakers will deliver years of listening pleasure.

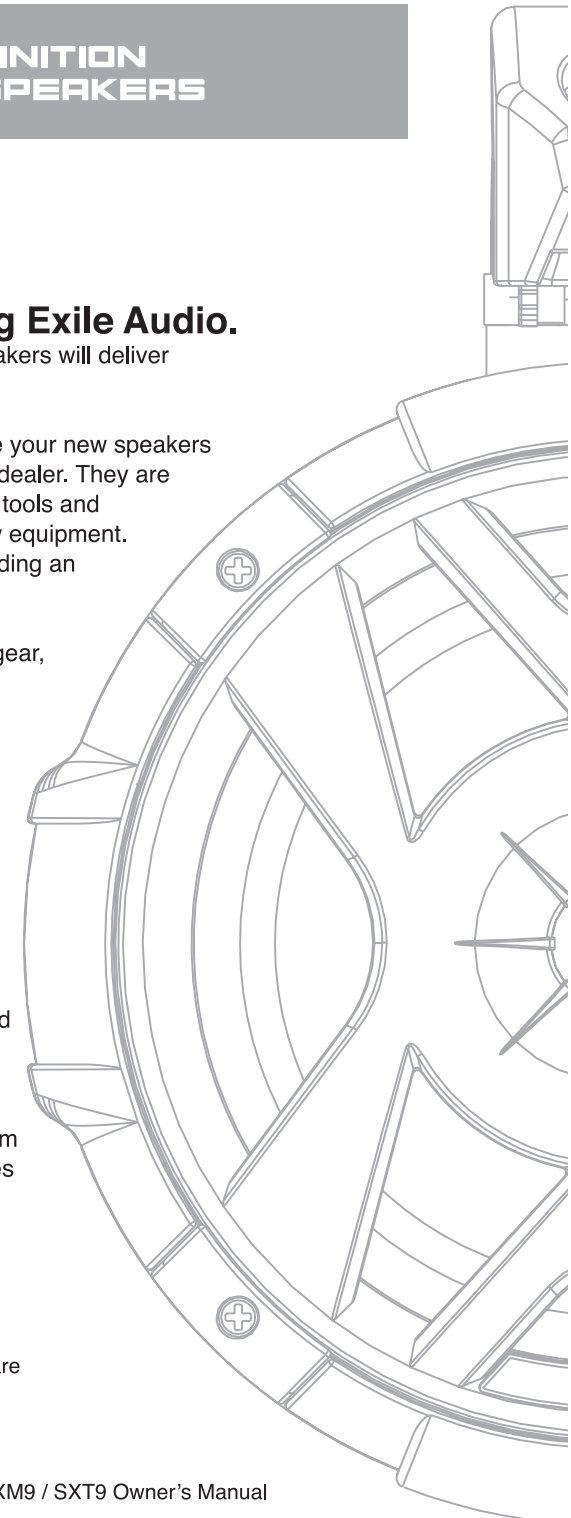
We strongly recommend that you have your new speakers installed by an authorized Exile Audio dealer. They are professionals and have the necessary tools and experience to properly install your new equipment. Let us know if you need assistance finding an authorized dealer, we can help.

If you prefer to install your own audio gear, please read this instruction manual completely before beginning the installation process.

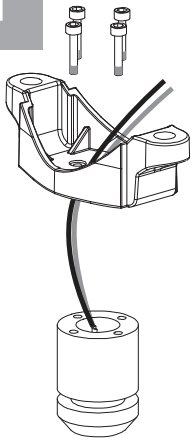
Exile Audio Tower Speakers have it all - big power handling, big projection, combined with "Ultra Hi-Definition Sound." It's unique design offers superior performance in an enclosure that is still manageable and compact. The Exile Audio sound quality, form factor, power handling and fit/finish are un-matched by anything available on the market today. The XM9/SXT9 include a patented "quick release and rotational" clamping system that can direct sound a full 360 degrees and fits virtually any boat tower.

CONTENTS:

2 Speakers / 2 Clamps / Mounting Hardware



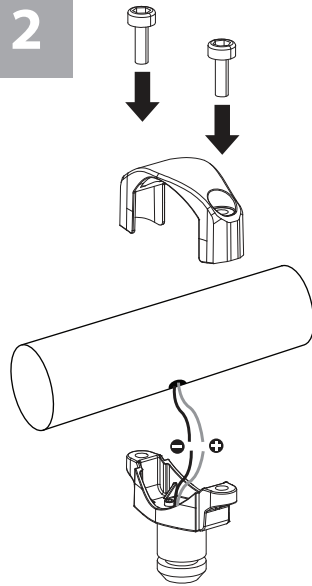
1



STEP 1. If you've ordered a custom clamp option you may have to assemble the post to the clamp. To do this, thread the wires from the post through the center hole in the bottom half of the clamp. Then, making sure to use red thread lock on each bolt, secure each bolt through the clamp into the post.

If your post came assembled to the bottom part of the clamp move on to step 2.

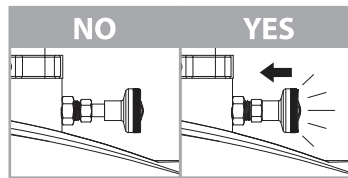
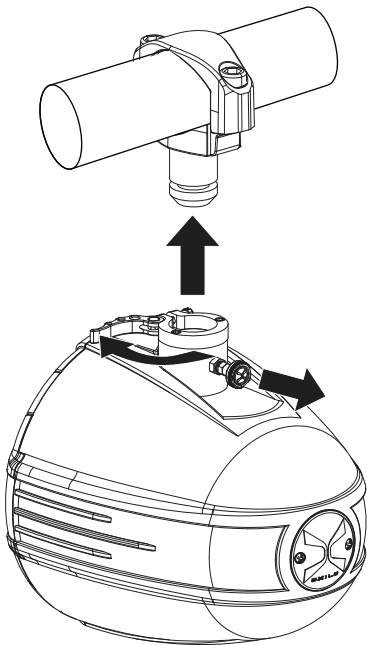
2



STEP 2. Connect or solder the wires from the clamp to the corresponding wires from your tower. Then loosely hand tighten the clamp bolts through the top half of the clamp around the tower and into the lower half of the clamp. Begin alternately tightening the bolts, with the supplied allen wrench, until both bolts are equally tight around the tower and the clamp is gripping the tower bar.

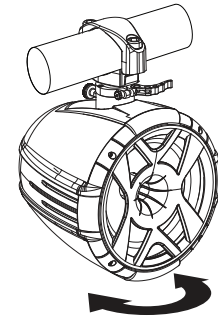
3

STEP 3. Loosen the brake handle, slightly pull the plunger pin out and slide the speaker on to post until the plunger pin clicks into the groove on the post.



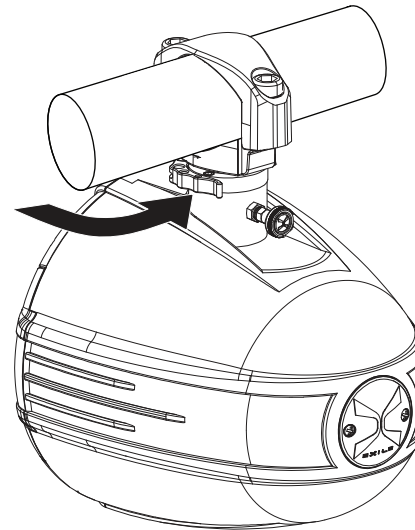
4

STEP 4. Once the speaker is secure to the post with the plunger pin and while the brake handle is still loose rotate the speaker 360° to aim it exactly where you would like.

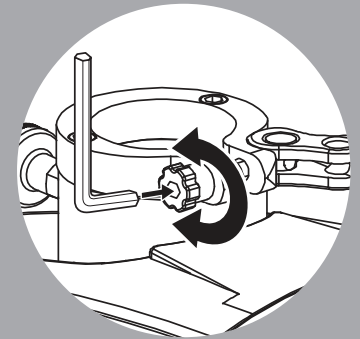


5

STEP 5. Lock the rotation of the speaker with the brake handle by swinging it back against the collar.



Brake Adjustment



To loosen, or tighten, the brake handle use the supplied allen wrench to turn the nut on the other side of the collar. Setting of the handle should be firm. When set correctly the handle should rotate all the way to the collar and the speaker should not be able to rotate.

Note: The XM9 features a switch, located behind the rear badge, that changes the crossover slope of the speaker, resulting in a more tolerable sound at closer ranges. Remove the two screws, pull off the badge, and move the switch from NO to 1Ω to activate this setting.

