



SERIES

AMPLIFIER

Owner's Manual

Models:

XM15.1

XM15.4

XM30.2

JAVELIN

exileaudio



SPECIFICATIONS *Monoblock*

Amplifier Class	Class D
Frequency Response:	30 - 200Hz
Total Harmonic Distortion	< 0.5%
Signal to Noise Ratio:	92dB
Gain Range	0.2 - 6V
Low Pass Crossover Range	50 - 250Hz
Subsonic Crossover Range	15 - 250Hz
Bass Boost @ 45Hz:	0 to +18dB
Operational Efficiency	> 85%
Remote Bass Control	Yes
Damping Factor:	> 200
CEA-2006 Compliant	Yes

XM15.1

Channels	1
Into 1 ohm	1500w x 1
Into 2 ohm	1050w x 1
Fuse Size:	N/A
Power/Ground Wire Size:	4 Gauge
Dimensions:	15.0 in L x 7.5in W x 2.3in H

SPECIFICATIONS *Multichannel*

Amplifier Class	Class D
Frequency Response:	30 - 200Hz
Total Harmonic Distortion	<0.5%
Signal to Noise Ratio:	92dB
Gain Range	0.2 - 6V
Low Pass Crossover Range	50 - 250Hz
Subsonic Crossover Range	15 - 250Hz
Bass Boost @ 45Hz:	0 to +18dB
Operational Efficiency	> 85%
Remote Bass Control	Yes
Damping Factor:	> 200
CEA-2006 Compliant	Yes

XM15.4

Channels	4
Into 4 ohm	150w x 4
Into 2 ohm	225w x 4
In to 4 ohm Bridged	450w x 2
Fuse Size	40Ax2
Power/Ground Wire Size	4 AWG
Dimensions	12.7in L x 7.5in W x 2.3in H

XM30.2

Channels	2
Into 4 ohm	300w x 2
Into 2 ohm	420w x 2
In to 4 ohm Bridged	840w x 1
Fuse Size	40Ax2
Power/Ground Wire Size	4 AWG
Dimensions	10.8in L x 7.5in W x 2.3in H

JAVELIN

Channels	5
Into 4 ohm	100w x 4
Into 2 ohm	150w x 4
In to 4 ohm Bridged	300w x 2
Into 2 ohm (Sub CH)	800w x 1
Into 4 ohm (Sub CH)	500w x 1
Fuse Size	40Ax3
Power/Ground Wire Size	4 AWG
Dimensions	15.0in L x 7.5in W x 2.3in H

JAVELIN 5 Channel Power Amplifier



CONFIG

- 2 - Set to 2 when only 1 RCA input is available from the source. This drives all three channels from either the Front, Rear or Sub input on the amplifier.
- 4 - Set to 4 when only 2 RCA inputs (Front/Rear) are available from the source. This drives the Front and Rear channels from either the Front or Rear RCA input on the amplifier, and the Subwoofer channels from the Subwoofer RCA input on the amplifier.
- 6 - Set to 6 when 3 RCA inputs (Front/Rear/Sub) are available from the source. All channels have their own specific input.

FRONT, REAR AND SUB INPUTS

Connect preamp signal cables from the head unit to these terminals.

DIFF INPUT

Turn ON if your source unit has differential outputs.

GAIN (FRONT, REAR AND SUB CHANNELS)

Used to reach maximum amplifier power with a wide variety of headunits.

HPF (FRONT AND REAR CHANNELS)

Controls the high pass crossover point for the speaker outputs.

LPF (SUB CHANNEL)

Controls the low pass crossover point for the speaker outputs.

BASS BOOST (SUB CHANNEL)

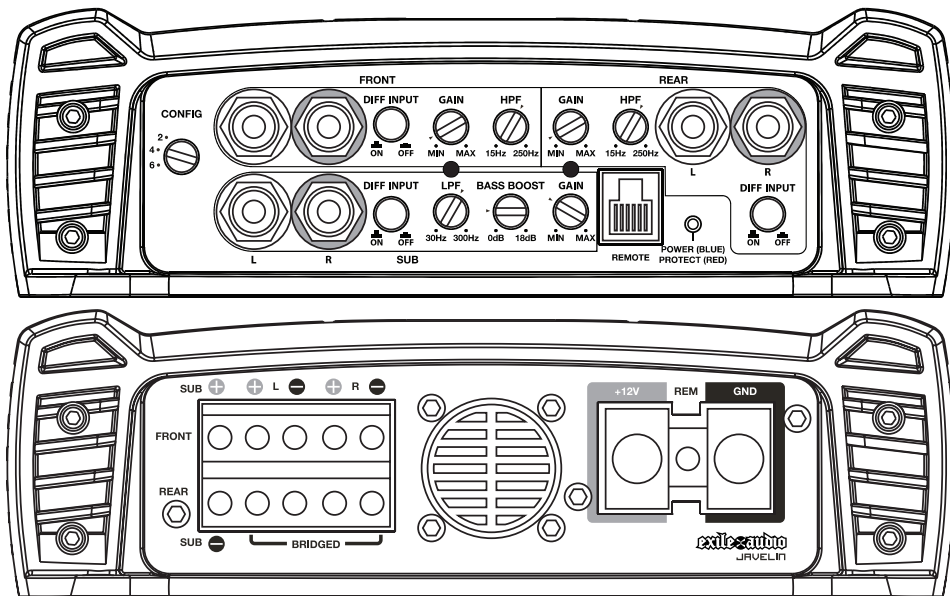
Variable bass boost from 0 to +18dB @ 45 Hz.

REMOTE

This port is for connecting the optional remote level control (XMRB1). This allows up to 20dB of volume adjustment. This is not a bass boost, it controls the level of the low pass signal.

POWER/PROTECT

Indicates if the amplifier is working correctly (BLUE) or gone into protect mode (RED).



SPEAKER OUTPUTS

Used to connect the amplifier to the speakers. Use the left channel positive (+) and the right channel negative (-) for bridged mode.

12V+

This must be connected to the fused positive terminal (+12V) of the car's battery.

REMOTE

This must be connected to switched +12V, usually a trigger wire coming from the head unit or ignition.

GND

This must be connected to the negative terminal of the car's battery or bolted to a clean, unpainted part of the chassis of the vehicle.

OUTPUT

Connect preamp signal cables from the head unit to these terminals.

INPUT

Connect preamp signal cables from the head unit to this terminal.

DIFF INPUT

Turn ON if your source unit has differential outputs.

HPF

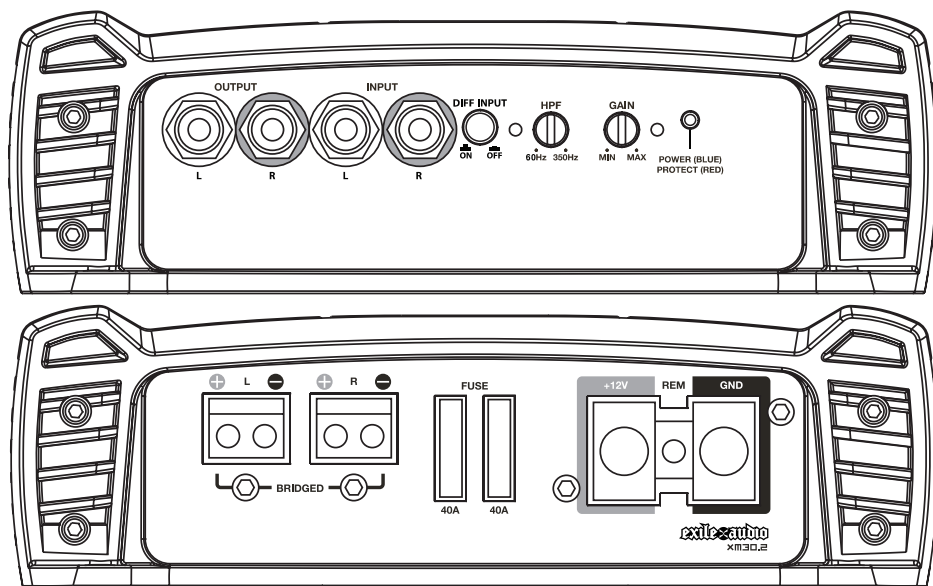
Controls the high pass crossover point for the speaker outputs.

GAIN

Used to reach maximum amplifier power with a wide variety of headunits.

POWER/PROTECT

Indicates if the amplifier is working correctly (BLUE) or gone into protect mode (RED).



SPEAKER OUTPUTS

Used to connect the amplifier to the speakers. Use the left channel positive (+) and the right channel negative (-) for bridged mode.

FUSE

This amplifier requires two 40A fuses.

12V+

This must be connected to the fused positive terminal (+12V) of the car's battery.

REMOTE

This must be connected to switched +12V, usually a trigger wire coming from the head unit or ignition.

GND

This must be connected to the negative terminal of the car's battery or bolted to a clean, unpainted part of the chassis of the vehicle.

XM15.4 4 Channel Power Amplifier



OUTPUT

Connect preamp signal cables from the head unit to these terminals.

INPUT (FRONT AND REAR)

Connect preamp signal cables from the head unit to these terminals.

HPF

Controls the high pass crossover point for the speaker outputs.

XOVER

HF - Sends high frequency signal to speakers.
FULL - Sends a full range signal to speakers.
LF - Sends low frequency signal to subwoofer.

CONFIG

Switches the amplifier from 4 Channel to 2 Channel (Bridged) mode

LPF

Controls the low pass crossover point for the speaker outputs.

BASS BOOST

Variable bass boost from 0 to +18dB @ 45 Hz.

GAIN

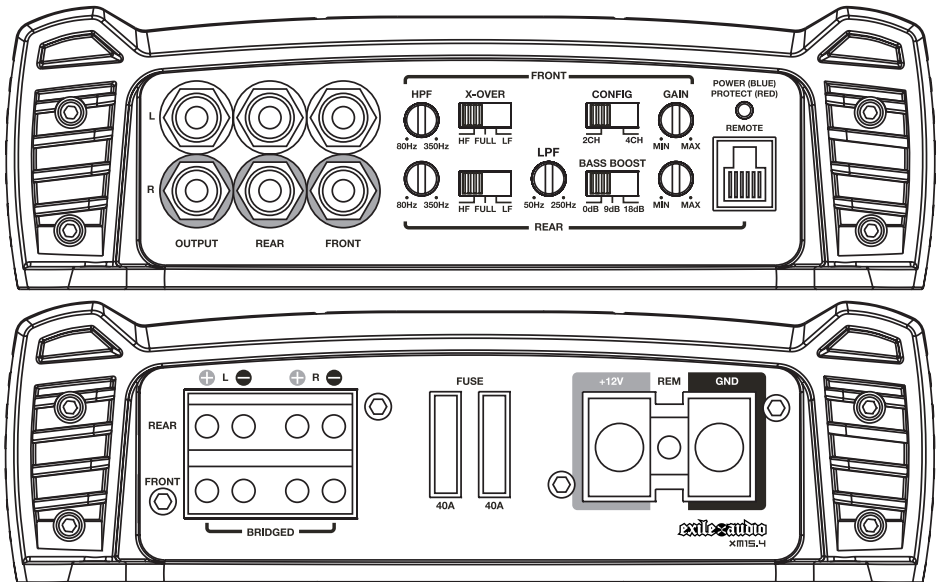
Used to reach maximum amplifier power with a wide variety of headunits.

POWER/PROTECT

Indicates if the amplifier is working correctly (BLUE) or gone into protect mode (RED).

REMOTE

This port is for connecting the optional remote level control (XMRB1). This allows up to 20dB of volume adjustment. This is not a bass boost, it controls the level of the low pass signal.



SPEAKER OUTPUTS

Used to connect the amplifier to the speakers. Use the left channel positive (+) and the right channel negative (-) for bridged mode.

FUSE

This amplifier requires two 40A fuses.

12V+

This must be connected to the fused positive terminal (+12V) of the car's battery.

REMOTE

This must be connected to switched +12V, usually a trigger wire coming from the head unit or ignition.

GND

This must be connected to the negative terminal of the car's battery or bolted to a clean, unpainted part of the chassis of the vehicle.



XM15.1 Monoblock Power Amplifier

INPUT

Connect preamp signal cables from the head unit to these terminals.

DIFF INPUT

Turn ON if your source unit has differential outputs.

GAIN

Used to reach maximum amplifier power with a wide variety of headunits.

PHASE

Switches the output signal 180°.

SUBSONIC

Controls the highpass crossover point for the speaker outputs to eliminate extreme low frequencies.

FREQ

Controls the lowpass crossover point for the speaker outputs.

BASS BOOST

Variable bass boost from 0 to +18dB @ 45 Hz.

LPF

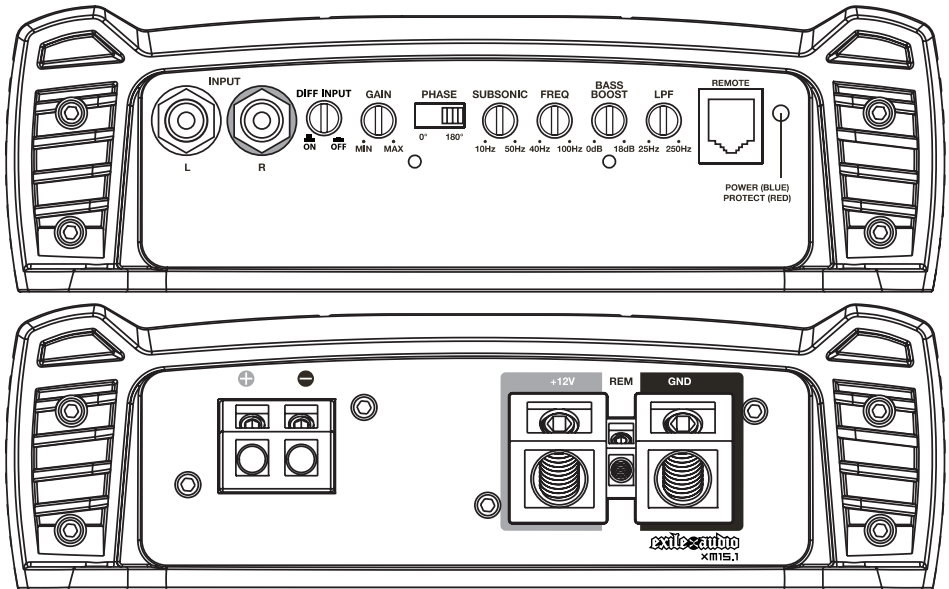
Low Pass Filter 25 to 250 Hz.

POWER/PROTECT

Indicates if the amplifier is working correctly (BLUE) or gone into protect mode (RED).

REMOTE

This port is for connecting the optional remote level control (XMRB1). This allows up to 20dB of volume adjustment. This is not a bass boost, it controls the level of the low pass signal.



SPEAKER OUTPUT

Used to connect the amplifier to speakers.

12V+

This must be connected to the fused positive terminal (+12V) of the car's battery.

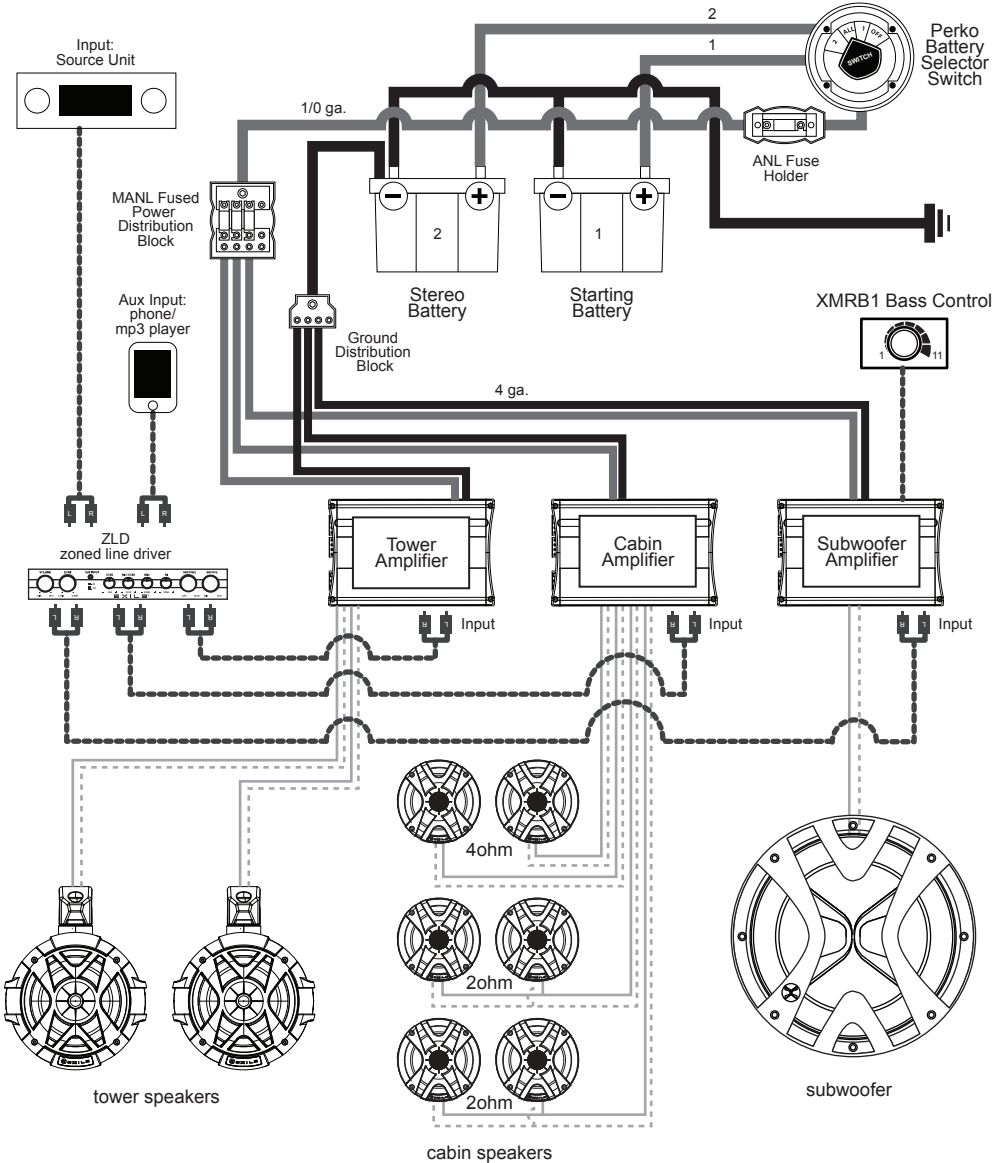
REMOTE

This must be connected to switched +12V, usually a trigger wire coming from the head unit or ignition.

GND

This must be connected to the negative terminal of the car's battery or bolted to a clean, unpainted part of the chassis of the vehicle.

Marine Installation Guide **POWERFLOW**



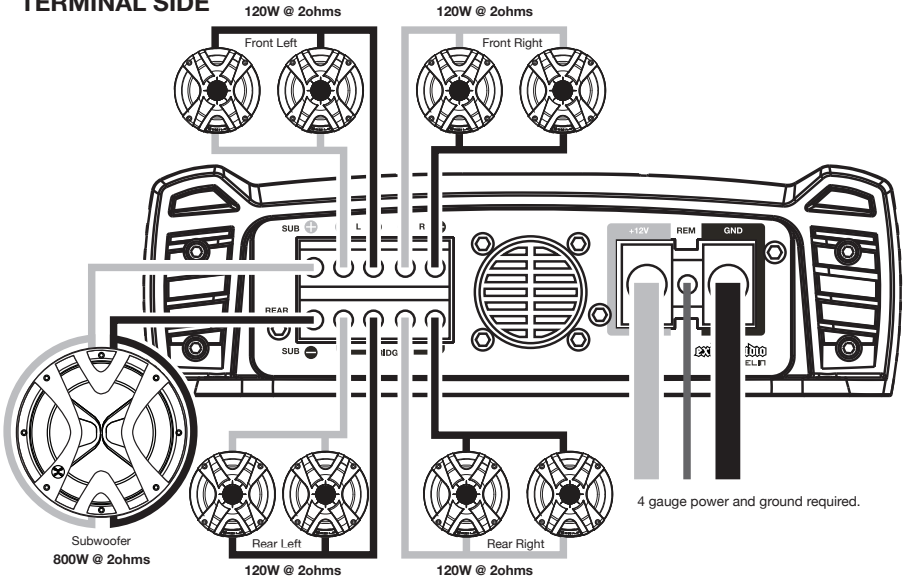
System Includes:

- 1 Javelin
- 4 pr. Tower Speakers
- 1 Subwoofer

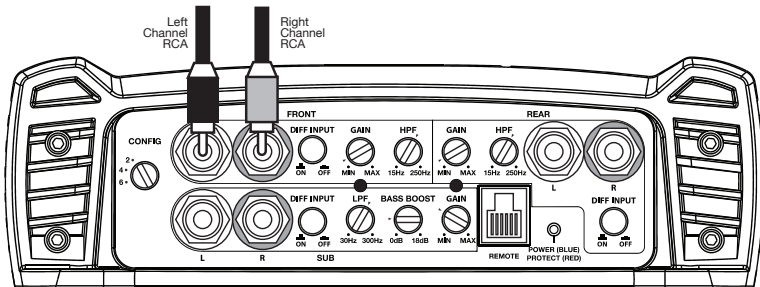
When you only have 1 set of input RCA's coming from your source unit to the Javelin amplifier set the Config switch to "2"



TERMINAL SIDE



SIGNAL SIDE



Note: Recommended system settings are indicated by the arrows on the silkscreen shown above. The amplifier should come preset to these positions. To get back to the recommended settings first turn the knob all the way counter clockwise, then turn it clockwise until you reach the arrow indicated for each knob.

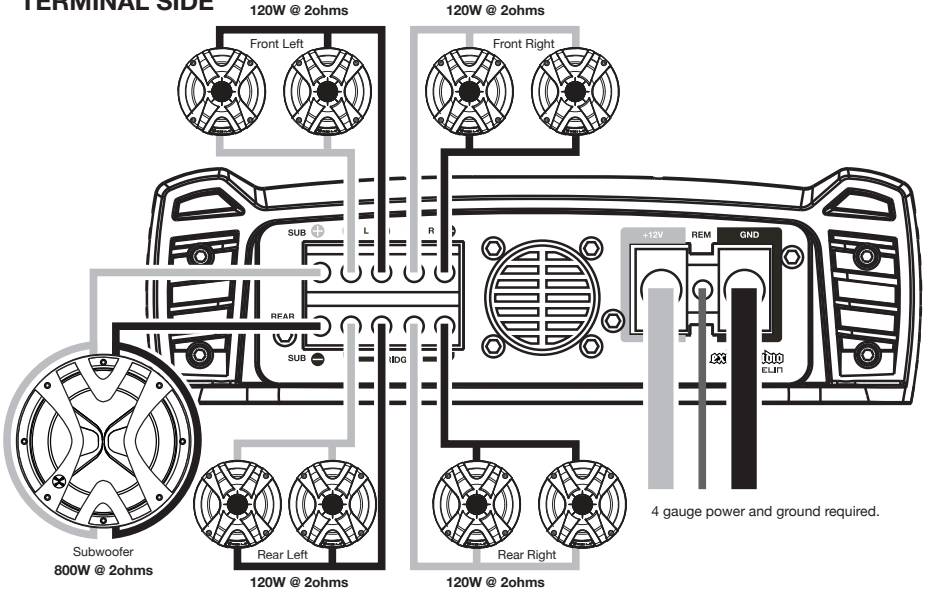
System Includes:

- 1 Javelin
- 4 pr. Tower Speakers
- 1 Subwoofer

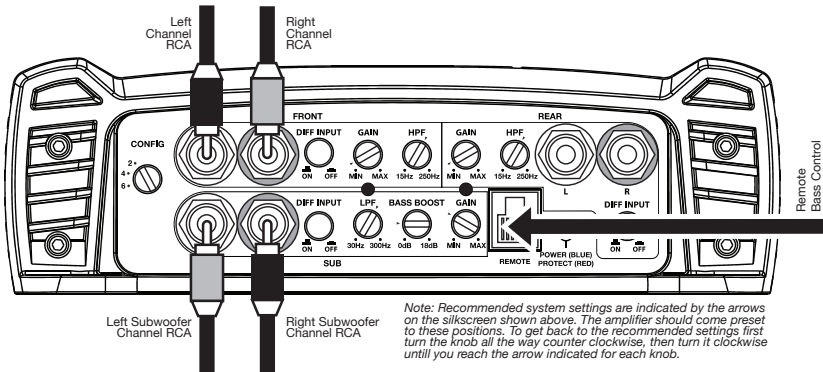
When you have 2 sets of input RCA's coming from your source unit to the Javelin amplifier set the Config switch to "4"



TERMINAL SIDE



SIGNAL SIDE



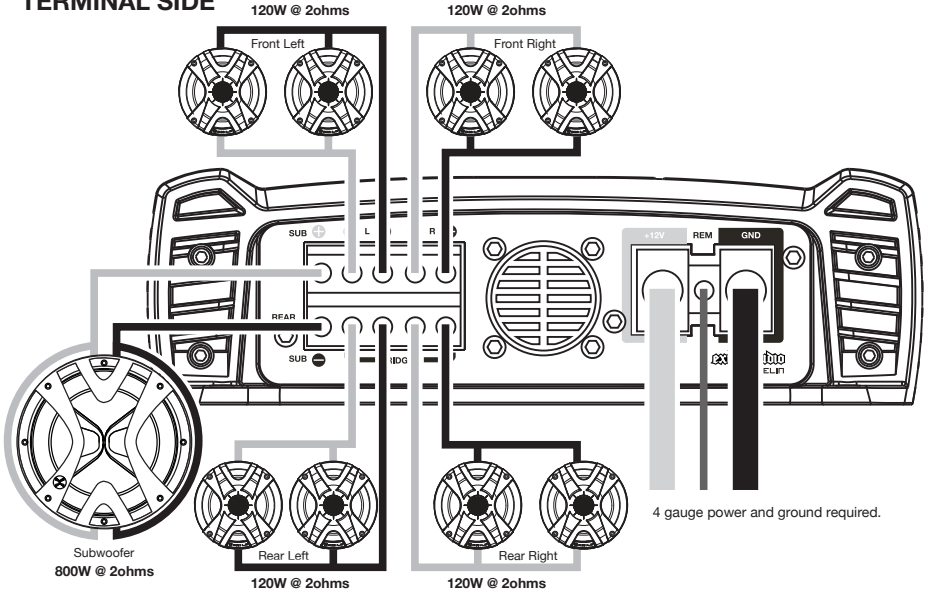
System Includes:

- 1 Javelin
- 4 pr. Tower Speakers
- 1 Subwoofer

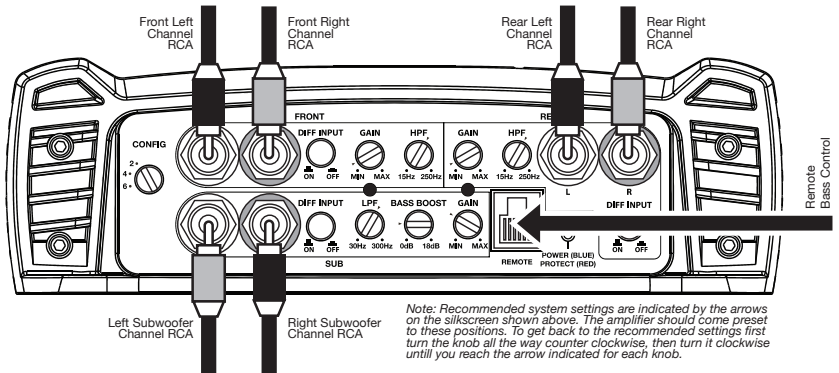
When you have 3 sets of input RCA's coming from your source unit to the Javelin amplifier set the Config switch to "6"



TERMINAL SIDE



SIGNAL SIDE



Note: Recommended system settings are indicated by the arrows on the silkscreen shown above. The amplifier should come preset to these positions. To get back to the recommended settings first turn the knob all the way counter clockwise, then turn it clockwise until you reach the arrow indicated for each knob.





exile audio

LAKE OSWEGO, OR USA
WWW.EXILEAUDIO.COM

DESIGNED AND ENGINEERED IN THE USA

LIMITED WARRANTY

Exile warrants this product to be free from defects in material and workmanship under normal use for a period of one year from date of original purchase when purchased from an Authorized Exile Dealer. If the product is labeled B Stock/Refurbished and purchased from an Authorized Exile Dealer, it is warranted for 90 days from date of purchase, regardless of place of installation. Should service be necessary under this warranty for any reason due to manufacturing defect or malfunction during the warranty period, Exile will replace or repair (at its discretion) the defective merchandise with equivalent merchandise at no charge. Warranty replacements on B-Stock merchandise may have cosmetic scratches and blemishes. Discontinued products may be replaced with more current equivalent products. This warranty is valid only for the original purchaser and is not extended to owners of the product subsequent to the original purchaser. Any applicable implied warranties are limited in duration to a period of the express warranty as provided herein beginning with the date of the original purchase at retail, and no warranties, whether express or implied, shall apply to this product thereafter. Some states do not allow limitations on implied warranties, therefore these exclusions may not apply to you. This warranty gives you specific legal rights; however you may have other rights that vary from state to state. This warranty is only valid within the USA, for warranties outside of the USA consult the appropriate international distributor.