

## SPECIFICATIONS

MODEL	SXT7
Power Handling (RMS)	250W
Power Handling (PEAK)	500W
Tweeter	26mm Titanium Diaphragm
Clamp to Tower Fit	1 7/8 in. - 3 in.

### Have questions? Need help finding an Authorized Exile Audio Dealer?

Give us a call at **1-888-249-0970**,  
email us at **support@exileaudio.com**  
or use the dealer locator on **www.exileaudio.com**

For the latest news, product releases and exclusive discounts  
follow us:



**EXILE**

Designed and Engineered in the USA



**SXT7**

**HIGH DEFINITION  
TOWER SPEAKERS**

## Thank you for choosing Exile Audio.

With proper installation, your new speakers will deliver years of listening pleasure.

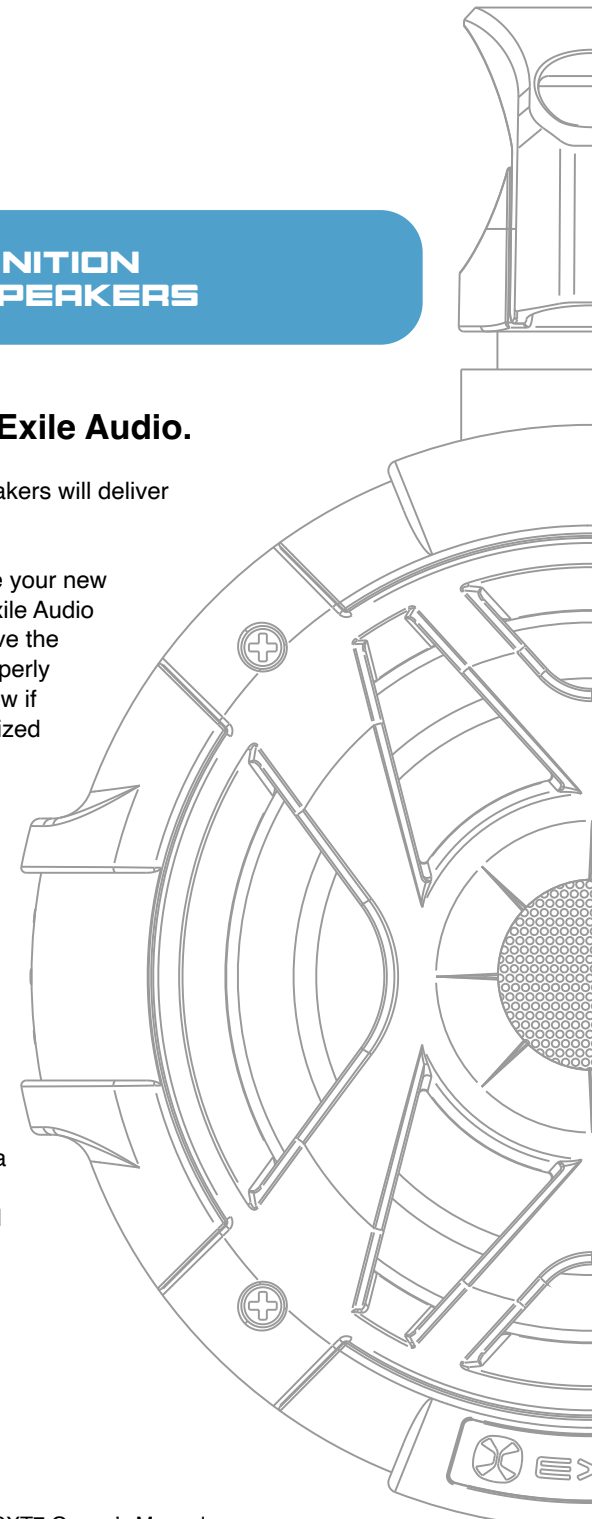
We strongly recommend that you have your new speakers installed by an authorized Exile Audio dealer. They are professionals and have the necessary tools and experience to properly install your new equipment. Let us know if you need assistance finding an authorized dealer, we can help.

If you prefer to install your own audio gear, please read this instruction manual completely before beginning the installation process.

The SXT7 began with one design goal in mind: "Bring Hi-Definition Sound" to the marine environment! The Exile sound quality, form factor, power handling and fit and finish are unmatched by anything available on the market today. The SXT7 includes a unique "fixed mount / rotational" clamping system that can direct sound in nearly 360 degrees and fits virtually any boat tower.

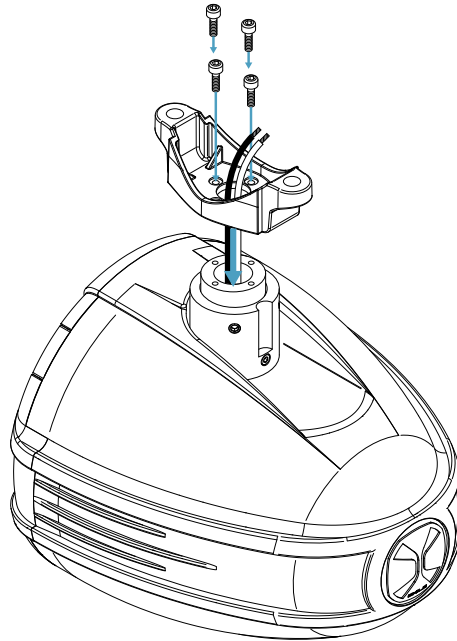
### CONTENTS:

1 pair of SXT7 Tower Speakers



1

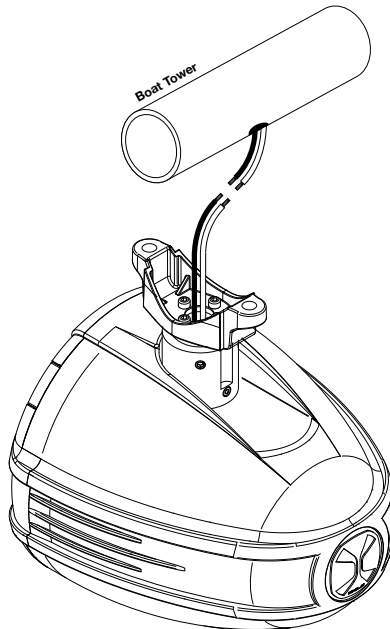
**STEP 1.** You will have to assemble the speaker to the clamp. To do this, thread the wires from the post through the center hole in the bottom half of the clamp. Then, making sure to use thread lock on each bolt, secure each bolt through the clamp into the post.



2

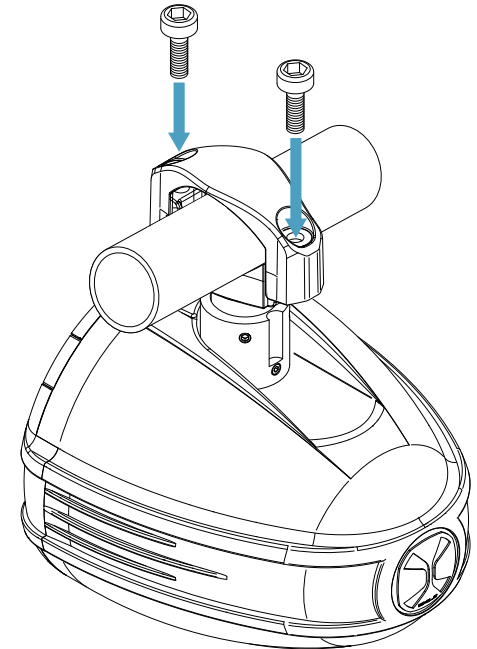
**STEP 2.** Connect by crimping or soldering the wires from the speaker to the corresponding wires from your tower.

We recommend having a second person hold the speaker in place while doing this step.



3

**STEP 4.** Hand tighten the clamp bolts through the top half of the clamp around the tower and into the lower half of the clamp. Begin alternately tightening the bolts, with the supplied allen wrench, until both bolts are equally tight around the tower and the clamp is gripping the tower bar.

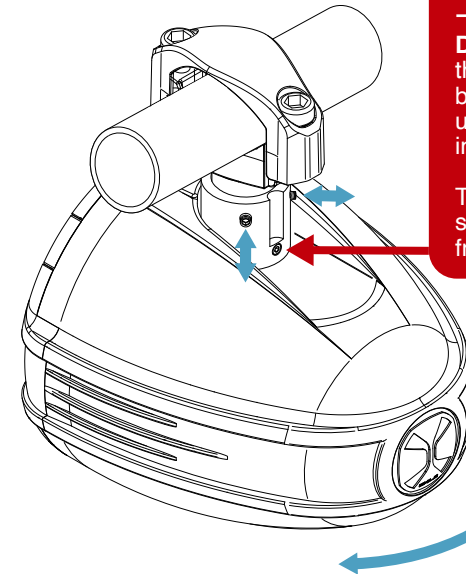


4

**STEP 4.** Once the speaker is secure to the tower loosen the two set screws, at the top of the collar, to allow speaker rotation.

The speaker will allow nearly 360° of rotation so you can aim it exactly where you would like.

Once the position is where you want it, simply tighten the two set screws to lock the speaker from spinning.



**WARNING:**

**DO NOT** remove the lock bolt at the bottom of the collar unless otherwise instructed to.

This bolt keeps the speaker from falling from the clamp.