

Vent A Hood®



2024 CATALOG

LUWA
Luxury Products




Luwa Luxury Products is a family owned company headquartered in the heart of the Pacific Northwest.

We can make your visions come to life with the brands that deliver the best performance for your lifestyle and the highest level of service for your needs.

To learn more about us and be inspired, visit LuwaLuxury.com

Contact Information

 800.205.6450

 orders@luwaluxury.com



“Luwa is excited to partner with the innovative team at Vent-A-Hood. They have crafted themselves a leader in ventilation and design by considering every detail of how their products look, perform and feel as a revolutionary luxury line.

We are fortunate to distribute quality Vent-A-Hood products throughout the Northwestern United States.

Like Luwa, Vent-A-Hood is a unique luxury brand with the attention to detail one expects from a world class brand.”

Let's Connect!





TERMS AND CONDITIONS OF SALE

1. Terms:
 - a. Minimum order of \$15.00 net.
 - b. Net 30 days with approved credit.
2. Prices:
 - a. All prices are subject to change at any time without notice.
 - b. All prices are F.O.B. Vent-A-Hood® Company, Richardson, Texas.
3. Cancellation:
 - a. Hoods which are fabricated to purchase orders are non-cancelable upon acceptance by the factory.
 - b. Any change orders must be confirmed in writing to Vent-A-Hood® at the address below and are subject to our ability to conform.

Vent-A-Hood Company
P.O. Box 830426
Richardson, TX 75083-0426
4. Returns:
 - a. No merchandise may be returned without written consent and shipping instructions.
 - b. Authorized returns are subject to a 25% restocking charge and freight charges.
 - c. Special order items are not subject to return or cancellation.
5. Quick Ship:
 - a. Shaded boxed prices in this document indicate quick ship products. Quick ship products are typically stocked or manufactured within two weeks. Quick ship painted product finishes include black, gunsmoke, and white.
6. Vent-A-Hood® Warranty
 - a. Vent-A-Hood® merchandise is manufactured in accordance with Vent-A-Hood®'s high standards and carries a limited warranty.
 - b. Vent-A-Hood® Magic Lung® Warranty:

Vent-A-Hood® warrants to the original consumer-purchaser its Magic Lung® products to be free of defects in material and workmanship for a period of five years on parts and one year on labor from the date of purchase with the following limitations:

 - A. Freight damage
 - B. Blower wheel damage
 - C. Light bulbs
 - D. Damage or malfunction caused by faulty installation
 - E. Incidental or consequential damage
 - F. Commercial application
 - G. Misapplication or modification of or to any part of the Vent-A-Hood® product
 - c. Vent-A-Hood® V-Line, ARS, M Series, and Remote Blower Warranty:

Vent-A-Hood warrants to the original consumer-purchaser its products to be free of defects in material and workmanship for a period of one year from the date of purchase with the following limitations:

 - A. Freight damage
 - B. Blower wheel damage
 - C. Light bulbs
 - D. Damage or malfunction caused by faulty installation
 - E. Incidental or consequential damage
 - F. Commercial application
 - G. Misapplication or modification of or to any part of the Vent-A-Hood® product
 - d. To make a warranty claim, contact the dealer where the hood was purchased. They will contact the appropriate service agents. It is not necessary to register the product directly with Vent-A-Hood®.

Top Photo on Cover:
Design by Shay Geyer, Owner & Designer, IBB Design
Photography by Dan Piassick

TABLE OF CONTENTS - BY APPLICATION/HOOD TYPE

MAGIC LUNG®	11	OTHER ISLAND STYLES	44
UNDER CABINET	12	LINER INSERTS	45
PRH9	12	WALL MOUNT LINER INSERTS	45
NPH9	12	BHSLD	45
SLH9	12	BHPSLD	45
XRH9	12	BHPSLB	45
CLH9	13	TLH	46
JCWR9	13	ISLAND LINER INSERTS	47
WALL MOUNT	14	THSLE	47
PROFESSIONAL/STANDARD WALL MOUNT	14	THPSLE	47
PRH18	14	CUSTOM LINER INSERTS	48
NPH18	14	BH-LD	48
SLH18	14	BH-LB	48
XRH18	15	TH-LC	49
DAH18	15	TH-LE	49
PWVH18	15	OTHER ITEMS	50
CXH30	17	BLOWER OPTIONS	50
DAH30	17	REMOTE BLOWERS	51
PWVH30	17	SPLASH PANELS	52
SLH30	18	WARMING LAMPS & SHELVES	53
AH12	19	ACCESSORY RAIL	54
CWH	20	BBQ EXTENSION	55
DESIGNER SERIES WALL MOUNT	21	BANDS, FINISHES, & POT RAILS	56
JCH/A1	21	BAND & LIP TREATMENT ATTACHMENTS	57
JCH/B1	22	DESIGNER SERIES HOOD TRIMS	58
JCH/C1	23	POWER LUNG	60
JCH/C2	24	UNDER CABINET	61
JDH/C1	24	PRH6-K	61
JDH/C2	24	SLH6-K	61
JDH/C3	25	WALL MOUNT LINER INSERT	61
JPH/C1	25	KHSLD	61
JPH/C2	25	CONTEMPORARY WALL MOUNT	62
JCWR18	16	CWEH6-K	62
WALL MOUNT CROWNS	27	GTH-K	62
CRN-D6H	27	CONTEMPORARY ISLAND	62
CRN-P6H	27	CIEH6-K	62
CRN-S6H	28	EURO-STYLE WALL MOUNT	63
CRN-S4H	28	PDH7-K	63
CRN-S3H	28	PDH14-K	63
CONTEMPORARY WALL MOUNT	29	ARS DUCT FREE	64
CWEH9	29	UNDER CABINET	65
CWLH9	29	PRAH6-K	65
CWSH3	30	SLAH6-K	65
XLH12	31	WALL MOUNT LINER INSERT	65
ZTH	32	KAHSLD	65
EURO-STYLE WALL MOUNT	33	CONTEMPORARY WALL MOUNT	66
PDH14	33	CWEAH6-K	66
PDL14	33	CONTEMPORARY ISLAND	66
SLDH14	33	CIEAH6-K	66
EPH18	34	EURO-STYLE WALL MOUNT	67
EPH18	34	PDAH7-K	67
NEPH18	34	PDAH14-K	67
NEPTH18	34	EURO-STYLE ISLAND	68
SEPH18	35	PYDAH18-K	68
SEPTH18	35	ISDAH18-K	68
ISLAND	36	M SERIES	69
DESIGNER SERIES ISLAND	36	PROFESSIONAL WALL MOUNT	70
JCIH/A1	36	PRH18-M	70
JCIH/B1	36	PRH18-M 30D	70
JCIH/C1	37	CXH18-M	70
JDIH/C1	38	M SERIES EURO-STYLE WALL MOUNT	71
JDIH/C2	38	EPH18-M	71
JDIH/C3	39	EPH18-M 32D	71
CONTEMPORARY ISLAND	40	WALL MOUNT LINER INSERTS	72
CIEH9	40	MSLD	72
CILH9	40	MPSLD	72
IZTH	41	ACCESSORIES	74
EURO-STYLE ISLAND	42	VENTING ACCESSORIES	74
PYDH18	42		
ISDH18	42		
EPIH18	42		
SEPIH18	42		
EPITH18	43		
SEPITH18	43		

TABLE OF CONTENTS - BY MODEL NUMBER

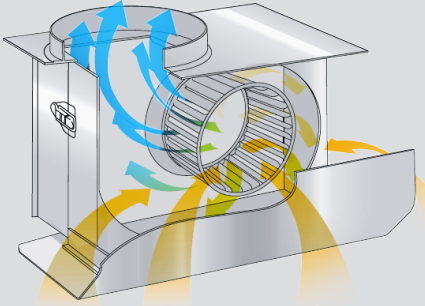
AH12	19	PWVH30	17
BH-LB	48	PYDAH18-K	68
BH-LD	48	PYDH18	42
BHPSLB	45	SEPH18	35
BHPSLD	45	SEPIH18	42
BHSLD	45	SEPITH18	43
CIEAH6-K	66	SEPTH18	35
CIEH6-K	62	SLAH6-K	65
CIEH9	40	SLDH14	33
CILH9	40	SLH6-K	61
CLH9	13	SLH9	12
CWEAH6-K	66	SLH18	14
CWEH6-K	62	SLH30	18
CWEH9	29	TH-LC	49
CWH	20	TH-LE	49
CWLH9	29	THPSLE	47
CWSH3	30	THSLE	47
CXH18-M	70	TLH	46
CXH30	17	XLH12	31
DAH18	15	XRH9	12
DAH30	17	XRH18	15
EPH18	34	ZTH	32
EPH18-M	71		
EPH18-M 32D	71		
EPIH18	42		
EPIH18	43		
EPTH18	34		
GTH-K	62		
ISDAH18-K	68		
ISDH18	42		
IZTH	41		
JCH/A1	21		
JCH/B1	22		
JCH/C1	23		
JCH/C2	24		
JCIH/A1	36		
JCIH/B1	36		
JCIH/C1	37		
JCWR9	13		
JCWR18	16		
JDH/C1	24		
JDH/C2	24		
JDH/C3	25		
JDIH/C1	38		
JDIH/C2	38		
JDIH/C3	39		
JPH/C1	25		
JPH/C2	25		
KAHSLD	65		
KHSLD	61		
MPSLD	72		
MSLD	72		
NEPH18	34		
NEPTH18	34		
NPH9	12		
NPH18	14		
PDAH7-K	67		
PDAH14-K	67		
PDH7-K	63		
PDH14	33		
PDH14-K	63		
PDL14	33		
PRAH6-K	65		
PRH6-K	61		
PRH9	12		
PRH18	14		
PRH18-M	70		
PRH18-M 30D	70		
PWVH18	15		

VentA Hood[®]

MAGIC LUNG[®] WHISPER QUIET TECHNOLOGY



OTHER BRANDS

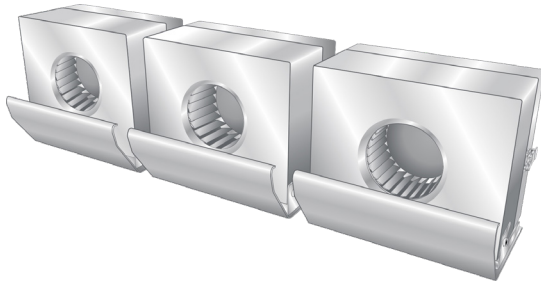
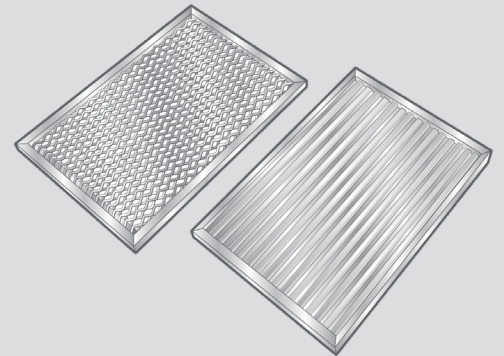


OUR PREMIUM MAGIC LUNG[®] BLOWER
CONSTANT 99% CENTRIFUGAL
GREASE EXTRACTION

GREASE EXTRACTION

The patented Magic Lung[®] centrifugal grease extractor collects 99% of the grease 100% of the time (University of Minnesota)

SCREEN/BAFFLE FILTER
5% TO 60% VARIABLE
GREASE EXTRACTION



THE QUIETEST VENTILATION AVAILABLE

300 CFM=5.4 SONES
600 CFM=6.5 SONES
900 CFM=6.3 SONES
1200 CFM=6.6 SONES

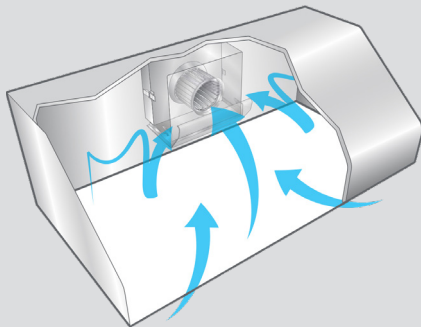
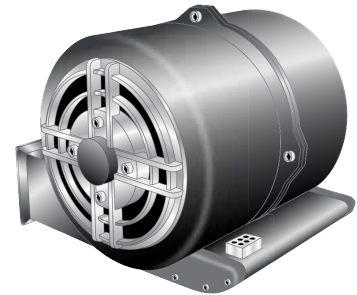
QUIET AND POWERFUL

Each Magic Lung[®] blower supplies 300 CFM of air flow—combining multiple blowers will meet any air flow requirement without increasing the noise level.

Variable speed blowers become louder and louder as CFM increases.

NOISY VARIABLE SPEED BLOWER

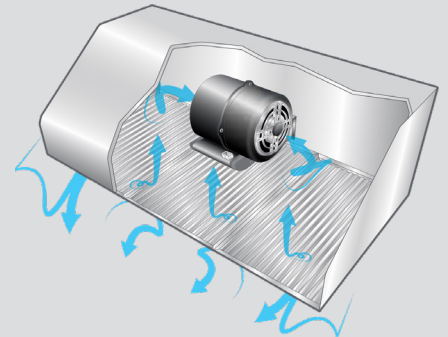
300 CFM=6.0 SONES
600 CFM=9.0 SONES
900 CFM=12.0 SONES
1200 CFM=15.0 SONES



LARGE ACTIVE CANOPY
REMOVES CONTAMINANTS

EFFICIENT

Filters obstruct air flow and spoil the collector properties of the canopy. A range hood equipped with the Magic Lung[®] blower system is a wide open, active collector that invites contaminants in. A proper collector is the most critical element for good cooking ventilation and requires 1/3 less air flow than a filter-style range hood.



CLOSED CANOPY
RESTRICTS AIR FLOW

VentAhood®

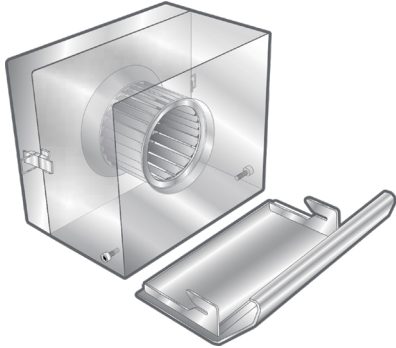
MAGIC LUNG® WHISPER QUIET TECHNOLOGY



OTHER BRANDS

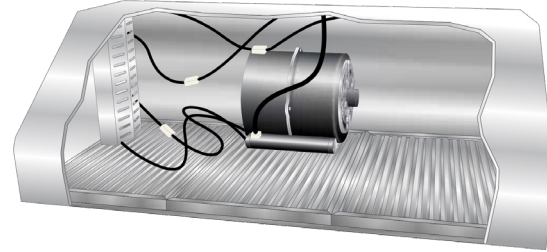
NEW, SIMPLE SLIDE-OFF GREASE TRAY

BLOWER HOUSING SNAPS APART FOR FAST CLEANING



EASY TO CLEAN

Cleaning the grease from behind the filter is nearly impossible. Access is limited by components and sharp protrusions. Even the motor gets greasy. The new in-the-shield grease tray makes routine cleaning easier than ever. If desired, the **Magic Lung®** blower comes apart for easy cleaning in soapy water or a dishwasher.



DIFFICULT TO CLEAN
GREASE ESCAPING THE FILTERS
COATS THE MOTORS AND WIRING

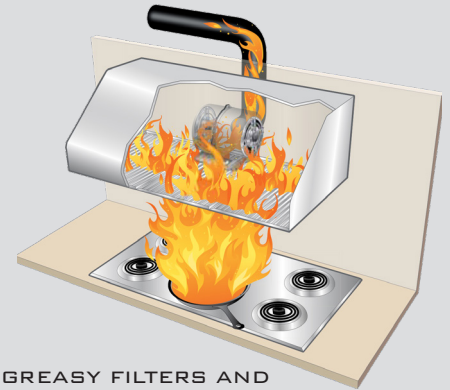


NO GREASY FILTER TO SUSTAIN A SECONDARY FIRE

FLAME HAS NO ACCESS TO SECONDARY SOURCES OF COMBUSTION

FIRE SAFETY

The **Magic Lung®** constant-speed blower is designed to keep grease and flame from entering the duct. In over 75 years, Vent-A-Hood has never received a report of an attic or wall fire when the **Magic Lung®** has been in use.



GREASY FILTERS AND DUCTING ARE FLAMMABLE

FLAME HAS DIRECT ACCESS TO MULTIPLE SOURCES OF COMBUSTION



WARRANTY



We've got you covered with the best warranty in the industry. Vent-A-Hood® has long been the most respected name in ventilation. Our products are guaranteed to work and we stand on over 75 years of manufacturing the highest quality ventilation products. Our family is devoted to your satisfaction.

KEYS TO SUPERIOR VENTILATION

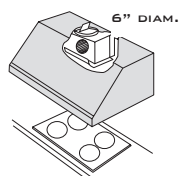
BLOWER(S) • CANOPY • DUCTING

- The first question you should ask a customer is how many BTUs or wattage are produced by the type of cooking equipment that is in their kitchen.
- The hood, blower system and ducting should be designed to handle the heat being produced from the cooking surface.
- Refer to chart below to determine how many CFM (Cubic Feet per Minute) are needed.

Match Number of Blowers to Cooking Equipment

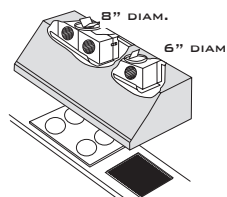
HOOD TYPE	COOKING EQUIPMENT TYPES:		MAGIC LUNG® BLOWER(S) (TRUE CFM)	COMPETITOR EQUIVALENT CFM*
	MULTI-BURNER COOKTOP RATING (BTU/WATTS)	BBQ, WOK OR GRIDDLE (BTU/WATTS)		
WALL-MOUNT OR UNDER CABINET	12,000 WATTS	12,000 WATTS	240 CFM K SERIES BLOWER 300 CFM B100 SINGLE BLOWER	360 CFM 450 CFM
UNDER-CABINET	40,000 - 60,000 BTU 24,000 WATTS	40,000 - 60,000 BTU 24,000 WATTS	600 CFM (B200 DUAL BLOWER)	900 CFM
WALL-MOUNT	40,000 - 60,000 BTU	40,000 - 60,000 BTU 24,000 WATTS	600 CFM (B200 DUAL BLOWER)	900 CFM
WALL-MOUNT	60,000 - 90,000 BTU	60,000 BTU 36,000 WATTS	900 CFM (ONE B100 SINGLE BLOWER PLUS ONE B200 DUAL BLOWER)	1350 CFM
WALL-MOUNT	80,000 - 120,000 BTU	80,000 BTU 48,000 WATTS	1200 CFM (TWO B200 DUAL BLOWERS)	1800 CFM
ISLAND	40,000 - 60,000 BTU	40,000 BTU 24,000 WATTS	550 CFM (T200 ISLAND DUAL BLOWER)	900 CFM
ISLAND	80,000 - 120,000 BTU	80,000 BTU 48,000 WATTS	1100 CFM (T400 ISLAND CLUSTER BLOWER)	1800 CFM

* Because the Magic Lung® uses centrifugal filtration units rather than conventional baffle or mesh filters, the Magic Lung® Blower can handle cooking equipment with higher cubic feet per minute (CFM) requirements and is much more efficient than other filtration systems. When comparing Magic Lung® blowers to that of other competitor units, Magic Lung CFM ratings reflect true CFM ratings. For example, a competitor's 1800 CFM blower unit has a performance equivalent CFM of 1200 CFM.

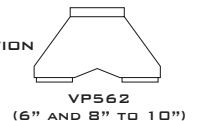


- 300 CFM (450 CFM EQUIVALENT)
- B100 SINGLE BLOWER
- 6" DIAMETER VENT

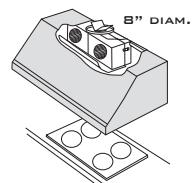
*



- 900 CFM (1,350 CFM EQUIVALENT)
- B200 DUAL & B100 SINGLE BLOWER
- 8" AND 6" DIAMETER VENTS
- VP562 MULTI BLOWER TRANSITION

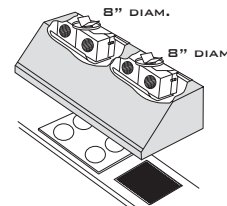


*



- 600 CFM (900 CFM EQUIVALENT)
- B200 DUAL BLOWER
- 8" DIAMETER VENT

*

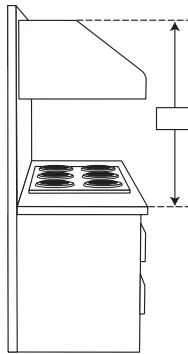


- 1200 CFM (1,800 CFM EQUIVALENT)
- TWO B200 DUAL BLOWERS
- TWO 8" DIAMETER VENTS
- VP563 MULTI BLOWER TRANSITION



KEYS TO SUPERIOR VENTILATION

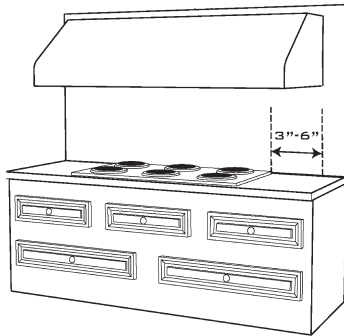
CANOPY SIZE AND PLACEMENT



WHAT HEIGHT HOOD DO YOU NEED?

THE HOOD HEIGHT IS DEPENDENT UPON THE DISTANCE BETWEEN YOUR COOKING SURFACE AND YOUR CABINET, SOFFIT, OR CEILING.

- 6" UNDER CABINET - FOR 27" TO 30"
- 9" UNDER CABINET - FOR 30" TO 33"
- 18" WALL MOUNT - FOR 48"+
- 30" WALL MOUNT - FOR 60"+



WHAT WIDTH HOOD DO YOU NEED?

WHEREVER POSSIBLE, THE WIDTH OF THE HOOD SHOULD OVERLAP THE BURNERS 3"-6" ON EACH SIDE. THIS IS A MUST FOR ISLANDS.

- 30" 36" 42" 48"
- 54" 60" 66" CUSTOM

WHAT DEPTH HOOD DO YOU NEED?

THE HOOD SHOULD BE DEEP ENOUGH TO COVER ALL BURNERS.

- UNDER CABINET 19-1/2" OR 21" (STANDARD)
- WALL MOUNT 24" STANDARD - MOST PRO-STYLE
27" PRO-STYLE COOKING
- ISLAND HOOD 27" STANDARD COOKING
30" PRO-STYLE COOKING

DUCTING - USE CORRECT SIZE AND INSTALL PROPERLY

DUCTING DO'S AND DON'TS

- NEVER RESTRICT DUCT SIZE
- RUN THE DUCT AS SHORT AND STRAIGHT AS POSSIBLE
- ENLARGE THE DUCT FOR LONGER RUNS (OVER 20')
- SEAL ALL JOINTS WITH DUCT TAPE
- MAINTAIN 4 TO 5 FOOT SPACING BETWEEN TURNS
- TURNS SHOULD BE SMOOTH AND GRADUAL

DUCT SIZES

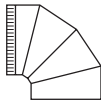
- 12 INCH ROUND DUCT = 113 SQUARE INCHES OF SPACE
- 10 INCH ROUND DUCT = 79 SQUARE INCHES OF SPACE
- 8 INCH ROUND DUCT = 50 SQUARE INCHES OF SPACE
- 7 INCH ROUND DUCT = 38 SQUARE INCHES OF SPACE
- 6 INCH ROUND DUCT = 28 SQUARE INCHES OF SPACE
- 4 INCH ROUND DUCT = 13 SQUARE INCHES OF SPACE



SMOOTH WALLED DUCT



FLEXIBLE DUCT



SMOOTH GRADUAL TURN



SHARP ANGLED TURN



PROPER COMBINING OF TWO DUCTS

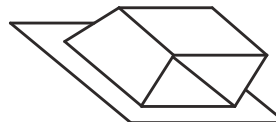


IMPROPER COMBINING OF TWO DUCTS



WALL LOUVER

- 6" ROUND VP526
- 8" ROUND VP528
- 10" ROUND VP554
- 12" ROUND VP555



ROOF JACK

- 6" ROUND VP539-HP
- 8" ROUND VP541-HP
- 10" ROUND VP552-HP
- 12" ROUND VP553-HP

*INCLUDES GRAVITY DAMPER - USING OTHER LIKE PRODUCTS MAY JEOPARDIZE PERFORMANCE

VentAhood®

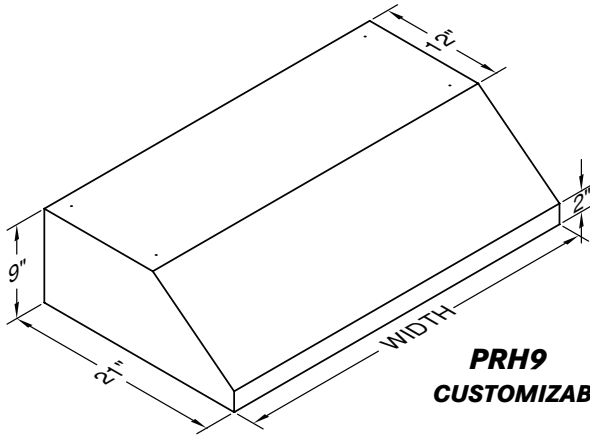
MAGIC LUNG® RANGE HOODS



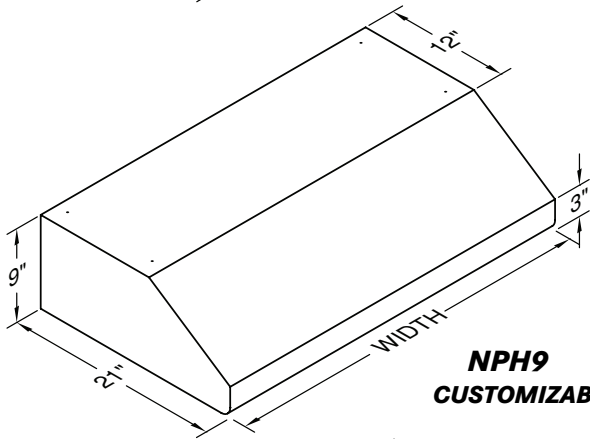
UNDER CABINET

REC. MOUNTING HEIGHT FROM COOKING SURFACE: 24"-27"

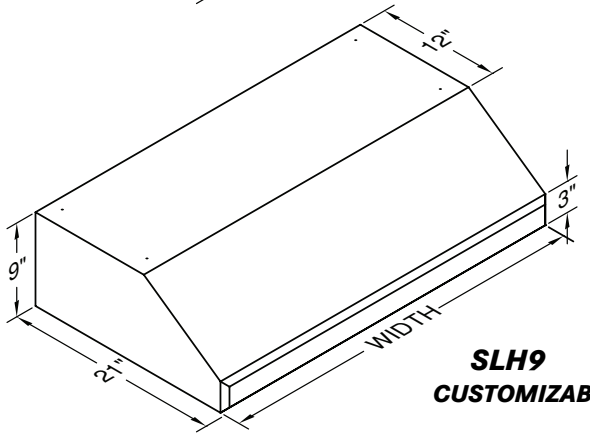
900 CFM OPTIONAL TRANSITION TO 10" ROUND: VP562
1200 CFM OPTIONAL TRANSITION TO 12" ROUND: VP563



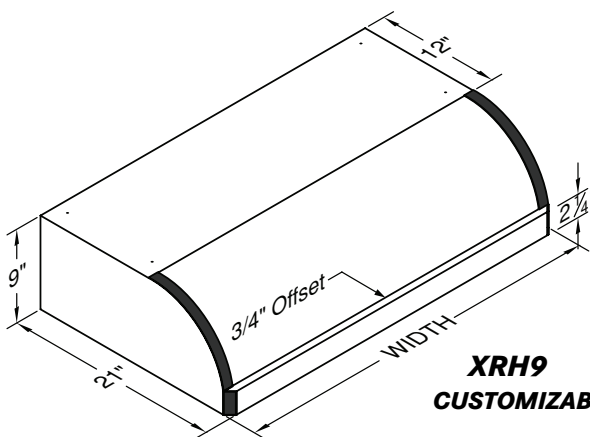
PRH9
CUSTOMIZABLE!



NPH9
CUSTOMIZABLE!



SLH9
CUSTOMIZABLE!



XRH9
CUSTOMIZABLE!

PRH9

Model No.	CFM	Width	Painted	Stainless	Overlay*	#Lts
PRH9-130	300	30"	974	1,238	1,880	2
PRH9-136		36"	974	1,238	1,880	2
PRH9-142		42"	1,159	1,423	2,122	3
PRH9-148		48"	1,219	1,484	2,181	3
PRH9-230	600	30"	1,402	1,702	2,304	2
PRH9-236		36"	1,402	1,702	2,304	2
PRH9-242		42"	1,583	1,888	2,546	3
PRH9-248		48"	1,642	1,947	2,605	3
PRH9-342	900	42"	2,032	2,442	2,995	3
PRH9-348		48"	2,091	2,503	3,054	3
PRH9-448	1200	48"	2,515	2,966	3,478	3

*FOR OVERLAY MODELS, SPECIFY INTERIOR COLOR.

NPH9

Model No.	CFM	Width	Painted	Stainless	Overlay*	#Lts
NPH9-130	300	30"	1,182	1,561	2,309	2
NPH9-136		36"	1,182	1,561	2,309	2
NPH9-142		42"	1,424	1,834	2,638	3
NPH9-148		48"	1,496	1,908	2,726	3
NPH9-230	600	30"	1,605	2,025	2,733	2
NPH9-236		36"	1,605	2,025	2,733	2
NPH9-242		42"	1,848	2,297	3,061	3
NPH9-248		48"	1,920	2,372	3,149	3
NPH9-342	900	42"	2,297	2,854	3,512	3
NPH9-348		48"	2,369	2,927	3,600	3
NPH9-448	1200	48"	2,793	3,391	4,022	3

*FOR OVERLAY MODELS, SPECIFY INTERIOR COLOR.

SLH9

Model No.	CFM	Width	Painted	Stainless	Overlay*	#Lts
SLH9-130	300	30"	1,182	1,561	2,309	2
SLH9-136		36"	1,182	1,561	2,309	2
SLH9-142		42"	1,424	1,834	2,638	3
SLH9-148		48"	1,496	1,908	2,726	3
SLH9-230	600	30"	1,605	2,025	2,733	2
SLH9-236		36"	1,605	2,025	2,733	2
SLH9-242		42"	1,848	2,297	3,061	3
SLH9-248		48"	1,920	2,372	3,149	3
SLH9-342	900	42"	2,297	2,854	3,512	3
SLH9-348		48"	2,369	2,927	3,600	3
SLH9-448	1200	48"	2,793	3,391	4,022	3

*FOR OVERLAY MODELS, SPECIFY INTERIOR COLOR.

XRH9

Model No.	CFM	Width	Painted	Stainless	Overlay*	#Lts
XRH9-130	300	30"	1,238	1,641	2,433	2
XRH9-136		36"	1,238	1,641	2,433	2
XRH9-142		42"	1,456	1,880	2,695	3
XRH9-148		48"	1,533	1,955	2,785	3
XRH9-230	600	30"	1,662	2,107	2,856	2
XRH9-236		36"	1,662	2,107	2,856	2
XRH9-242		42"	1,880	2,342	3,119	3
XRH9-248		48"	1,956	2,419	3,209	3
XRH9-342	900	42"	2,330	2,899	3,569	3
XRH9-348		48"	2,406	2,974	3,659	3
XRH9-448	1200	48"	2,829	3,439	4,082	3

*FOR OVERLAY MODELS, SPECIFY INTERIOR COLOR.

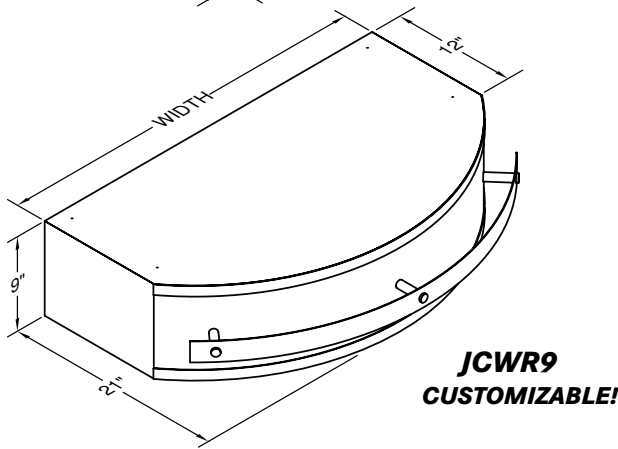
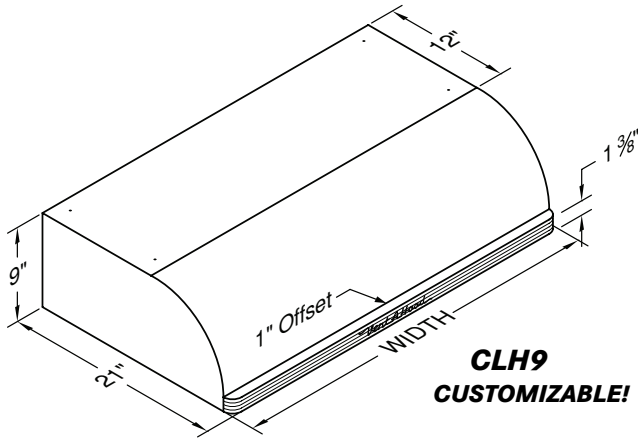
*THERE ARE NO STANDARD BANDS ON OVERLAY MODELS.

1" SS BANDS INCLUDED ON PAINTED AND STAINLESS MODELS.

UNDER CABINET

REC. MOUNTING HEIGHT FROM
COOKING SURFACE: 24"-27"

900 CFM OPTIONAL TRANSITION TO 10" ROUND: VP562
1200 CFM OPTIONAL TRANSITION TO 12" ROUND: VP563



CLH9

Model No.	CFM	Width	Painted	#Lts
CLH9-130	300	30"	1,226	2
CLH9-136		36"	1,226	2
CLH9-142		42"	1,443	3
CLH9-148		48"	1,518	3
CLH9-230	600	30"	1,646	2
CLH9-236		36"	1,646	2
CLH9-242		42"	1,863	3
CLH9-248		48"	1,937	3
CLH9-342	900	42"	2,308	3
CLH9-348		48"	2,384	3
CLH9-448	1200	48"	2,803	3

JCWR9

Model No.	CFM	Width	Stainless	#Lts
JCWR9-130	300	30"	2,125	2
JCWR9-136		36"	2,139	2
JCWR9-142		42"	2,387	3
JCWR9-148		48"	2,477	3
JCWR9-230	600	30"	2,543	2
JCWR9-236		36"	2,560	2
JCWR9-242		42"	2,807	3
JCWR9-248		48"	2,896	3
JCWR9-342	900	42"	3,437	3
JCWR9-348		48"	3,533	3
JCWR9-448	1200	48"	3,762	3

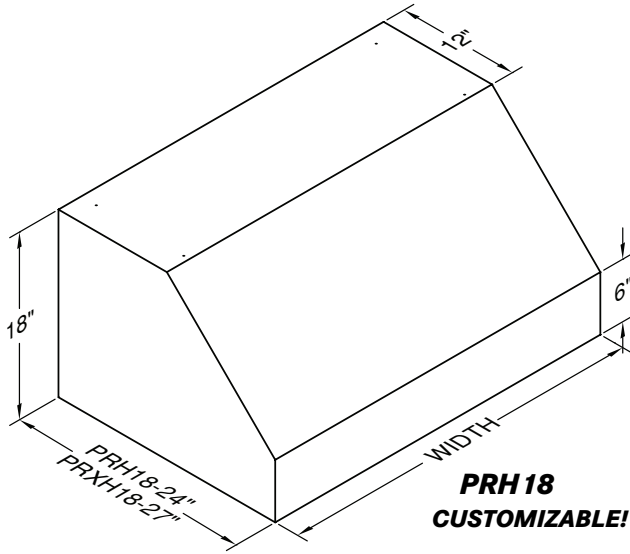
9" TALL UNDER CABINET VARIATIONS

WIDTHS OVER 48"				SPECIAL BLOWER LOCATION	
FOR EACH 6" INCREMENT	PAINTED	STAINLESS	OVERLAY	LEFT TO RIGHT, SPECIFY COLLAR CENTERLINE	
PLUS	214	307	381	ADD	276
SPECIAL WIDTH (LESS THAN 48")				REMOTE BLOWER OPTIONS	
USE NEXT LARGEST SIZE ON PRICE LIST,				SEE PAGES 50-51 FOR REMOTE BLOWER OPTIONS	
PLUS				276	
TRIM OPTIONS					
STAINLESS STEEL INTERIOR ON OVERLAY HOOD				XR HOOD TRIM, NON-STANDARD COLOR	
SUBTRACT PAINTED HOOD PRICE FROM STAINLESS HOOD PRICE				JCWR9/XR HOOD TRIM, REMOVE	
CUSTOM COLOR (SEE CUSTOM COLOR CHART)				SEE PAGES 56-57 FOR FINISH AND TRIM OPTIONS	
ADD				863	
WARMING LAMPS AND SHELVES				SEE PAGES 53 FOR WARMING LAMP AND SHELF OPTIONS	

PROFESSIONAL/STANDARD WALL MOUNT

REC. MOUNTING HEIGHT FROM COOKING SURFACE: 30"

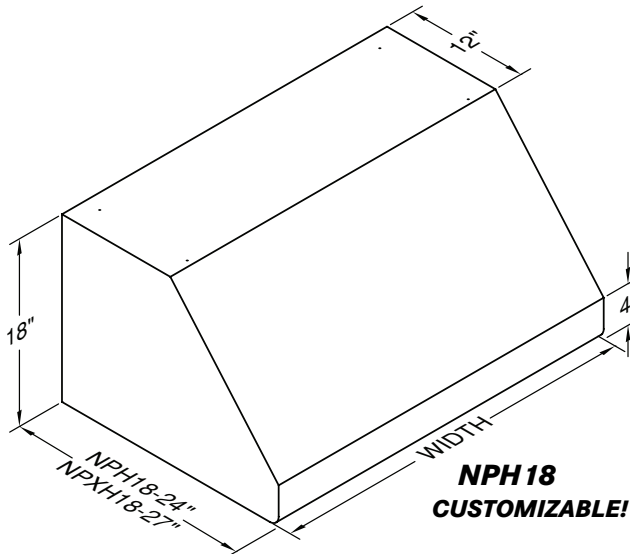
900 CFM OPTIONAL TRANSITION TO 10" ROUND: VP562
1200 CFM OPTIONAL TRANSITION TO 12" ROUND: VP563



PRH 18/PRXH 18

Model No.	CFM	Width	Painted	Stainless	Overlay*	# Lts
PRH18-130	300	30"	1,495	2,049	3,088	2
PRH18-136		36"	1,523	2,078	3,219	2
PRH18-142		42"	1,741	2,265	3,555	3
PRH18-148		48"	1,830	2,398	3,733	3
PRH18-230	600	30"	1,938	2,535	3,531	2
PRH18-236		36"	1,968	2,562	3,662	2
PRH18-242		42"	2,184	2,750	3,999	3
PRH18-248		48"	2,348	2,883	4,176	3
PRH18-254		54"	2,667	3,483	4,880	4
PRH18-342	900	42"	2,654	3,332	4,469	3
PRH18-348		48"	2,742	3,466	4,647	3
PRH18-354		54"	3,138	4,065	5,351	4
PRH18-360		60"	3,388	4,405	5,778	4
PRH18-448	1200	48"	3,186	3,950	5,090	3
PRH18-454		54"	3,580	4,551	5,792	4
PRH18-460		60"	3,832	4,892	6,222	4
PRH18-466		66"	3,993	4,994	6,560	4

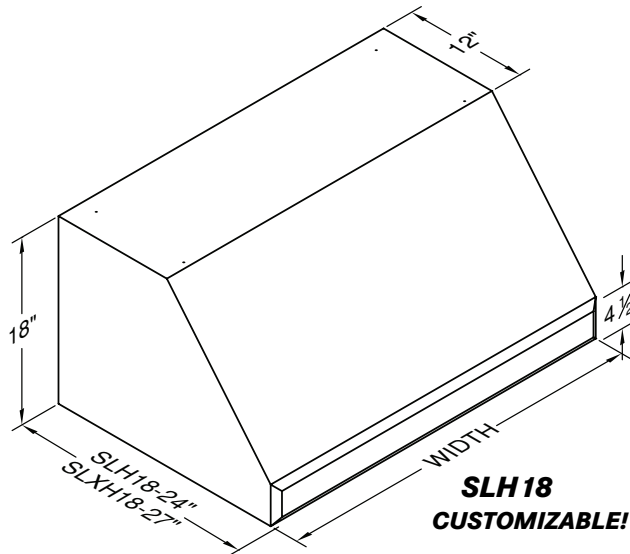
USE PRXH18 MODEL NUMBER PREFIX FOR 27" DEPTH PROJECTION.
• FOR OVERLAY MODELS, SPECIFY INTERIOR COLOR.



NPH 18/NPXH 18

Model No.	CFM	Width	Painted	Stainless	Overlay*	# Lts
NPH18-130	300	30"	1,996	2,608	3,589	2
NPH18-136		36"	2,027	2,638	3,723	2
NPH18-142		42"	2,316	2,839	4,057	3
NPH18-148		48"	2,330	2,958	4,231	3
NPH18-230	600	30"	2,440	3,095	4,032	2
NPH18-236		36"	2,467	3,124	4,165	2
NPH18-242		42"	2,686	3,325	4,499	3
NPH18-248		48"	2,774	3,442	4,677	3
NPH18-254		54"	3,168	3,986	5,380	4
NPH18-342	900	42"	3,156	3,908	4,972	3
NPH18-348		48"	3,245	4,024	5,147	3
NPH18-354		54"	3,639	4,568	5,853	4
NPH18-360		60"	3,890	4,905	6,295	4
NPH18-448	1200	48"	3,689	4,512	5,591	3
NPH18-454		54"	4,082	5,052	6,295	4
NPH18-460		60"	4,333	5,392	6,740	4
NPH18-466		66"	4,511	5,597	7,063	4

USE NPXH18 MODEL NUMBER PREFIX FOR 27" DEPTH PROJECTION.
• FOR OVERLAY MODELS, SPECIFY INTERIOR COLOR.



SLH 18/SLXH 18

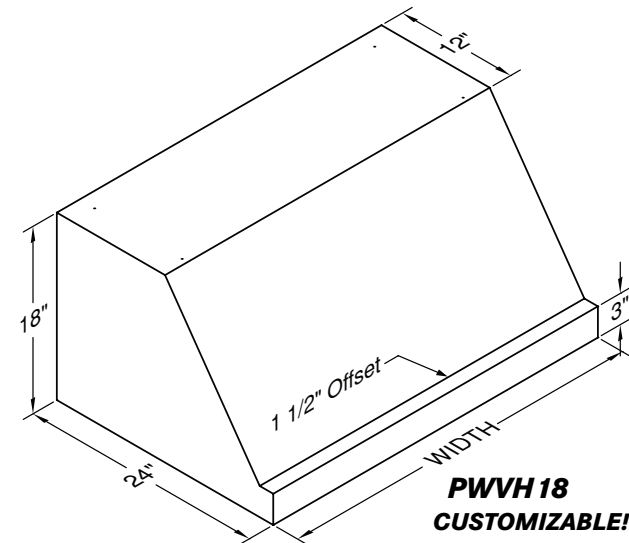
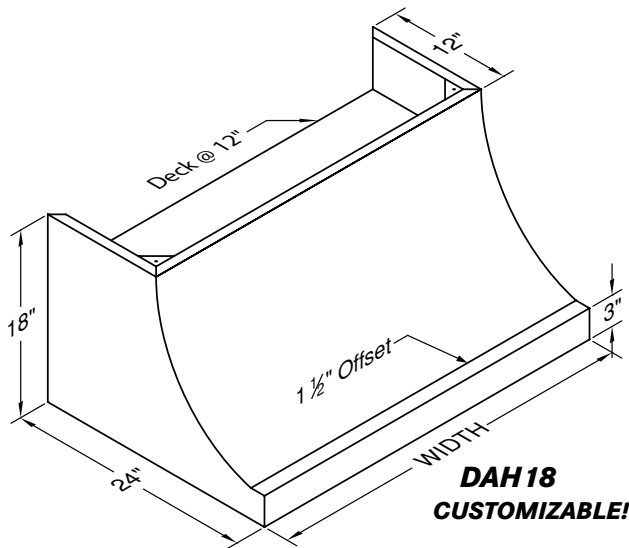
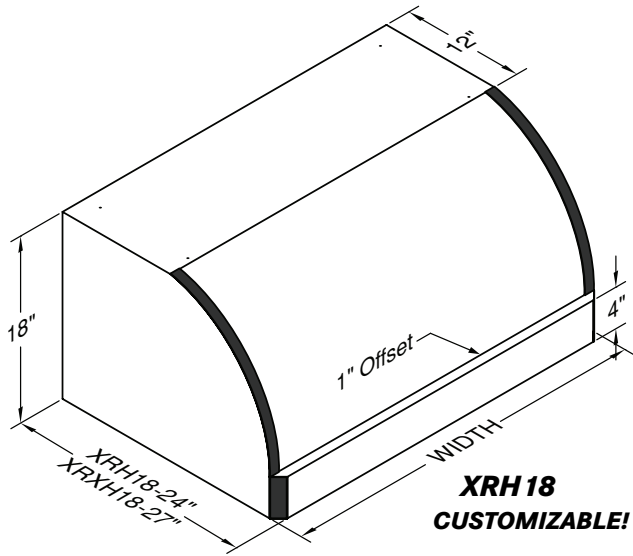
Model No.	CFM	Width	Painted	Stainless	Overlay*	# Lts
SLH18-130	300	30"	1,996	2,608	3,589	2
SLH18-136		36"	2,027	2,638	3,723	2
SLH18-142		42"	2,316	2,839	4,057	3
SLH18-148		48"	2,330	2,958	4,231	3
SLH18-230	600	30"	2,440	3,095	4,032	2
SLH18-236		36"	2,467	3,124	4,165	2
SLH18-242		42"	2,686	3,325	4,499	3
SLH18-248		48"	2,774	3,442	4,677	3
SLH18-254		54"	3,168	3,986	5,380	4
SLH18-342	900	42"	3,156	3,908	4,972	3
SLH18-348		48"	3,245	4,024	5,147	3
SLH18-354		54"	3,639	4,568	5,853	4
SLH18-360		60"	3,890	4,905	6,295	4
SLH18-448	1200	48"	3,689	4,512	5,591	3
SLH18-454		54"	4,082	5,052	6,295	4
SLH18-460		60"	4,333	5,392	6,740	4
SLH18-466		66"	4,511	5,597	7,063	4

USE SLXH18 MODEL NUMBER PREFIX FOR 27" DEPTH PROJECTION.
• FOR OVERLAY MODELS, SPECIFY INTERIOR COLOR.

PROFESSIONAL/STANDARD WALL MOUNT

REC. MOUNTING HEIGHT FROM COOKING SURFACE: 30"

900 CFM OPTIONAL TRANSITION TO 10" ROUND: VP562
1200 CFM OPTIONAL TRANSITION TO 12" ROUND: VP563



XRH 18/XRXH 18

Model No.	CFM	Width	Painted	Stainless	Overlay*	# Lts
XRH18-130	300	30"	1,996	2,608	3,589	2
XRH18-136		36"	2,027	2,638	3,723	2
XRH18-142		42"	2,316	2,839	4,057	3
XRH18-148		48"	2,330	2,958	4,231	3
XRH18-230	600	30"	2,440	3,095	4,032	2
XRH18-236		36"	2,467	3,124	4,165	2
XRH18-242		42"	2,686	3,325	4,499	3
XRH18-248		48"	2,774	3,442	4,677	3
XRH18-254	900	54"	3,168	3,986	5,380	4
XRH18-342		42"	3,156	3,908	4,972	3
XRH18-348		48"	3,245	4,024	5,147	3
XRH18-354		54"	3,639	4,568	5,853	4
XRH18-360	1200	60"	3,890	4,905	6,295	4
XRH18-448		48"	3,689	4,512	5,591	3
XRH18-454		54"	4,082	5,052	6,295	4
XRH18-460		60"	4,333	5,392	6,740	4
XRH18-466		66"	4,511	5,597	7,063	4

USE XRXH18 MODEL NUMBER PREFIX FOR 27" DEPTH PROJECTION.

*FOR OVERLAY MODELS, SPECIFY INTERIOR COLOR.

•THERE ARE NO STANDARD BANDS ON OVERLAY MODELS.

1" SS BANDS INCLUDED ON PAINTED AND STAINLESS MODELS.

DAH 18

Model No.	CFM	Width	Painted	Stainless	Overlay*	# Lts
DAH18-130	300	30"	2,290	2,937	3,969	2
DAH18-136		36"	2,336	2,983	4,107	2
DAH18-142		42"	2,558	3,176	4,454	3
DAH18-148		48"	2,667	3,316	4,638	3
DAH18-230	600	30"	2,732	3,421	4,412	2
DAH18-236		36"	2,778	3,468	4,551	2
DAH18-242		42"	3,002	3,661	4,898	3
DAH18-248		48"	3,110	3,801	5,082	3
DAH18-254	900	54"	3,503	4,365	5,814	4
DAH18-342		42"	3,472	4,244	5,368	3
DAH18-348		48"	3,580	4,383	5,553	3
DAH18-354		54"	3,973	4,947	6,285	4
DAH18-360	1200	60"	4,235	5,303	6,731	4
DAH18-448		48"	4,024	4,869	5,996	3
DAH18-454		54"	4,417	5,434	6,729	4
DAH18-460		60"	4,678	5,788	7,174	4
DAH18-466		66"	4,847	6,007	7,529	4

*FOR OVERLAY MODELS, SPECIFY INTERIOR COLOR.

PWVH 18

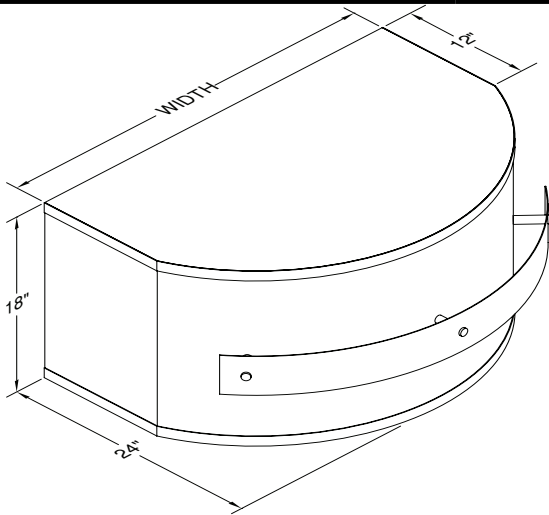
Model No.	CFM	Width	Painted	Stainless	Overlay*	# Lts
PWVH18-130	300	30"	2,290	2,937	3,969	2
PWVH18-136		36"	2,336	2,983	4,107	2
PWVH18-142		42"	2,558	3,176	4,454	3
PWVH18-148		48"	2,667	3,316	4,638	3
PWVH18-230	600	30"	2,732	3,421	4,412	2
PWVH18-236		36"	2,778	3,468	4,551	2
PWVH18-242		42"	3,002	3,661	4,898	3
PWVH18-248		48"	3,110	3,801	5,082	3
PWVH18-254	900	54"	3,503	4,365	5,814	4
PWVH18-342		42"	3,472	4,244	5,368	3
PWVH18-348		48"	3,580	4,383	5,553	3
PWVH18-354		54"	3,973	4,947	6,285	4
PWVH18-360	1200	60"	4,235	5,303	6,731	4
PWVH18-448		48"	4,024	4,869	5,996	3
PWVH18-454		54"	4,417	5,434	6,729	4
PWVH18-460		60"	4,678	5,788	7,174	4
PWVH18-466		66"	4,847	6,007	7,529	4

*FOR OVERLAY MODELS, SPECIFY INTERIOR COLOR.

PROFESSIONAL/STANDARD WALL MOUNT

REC. MOUNTING HEIGHT FROM COOKING SURFACE: 30"

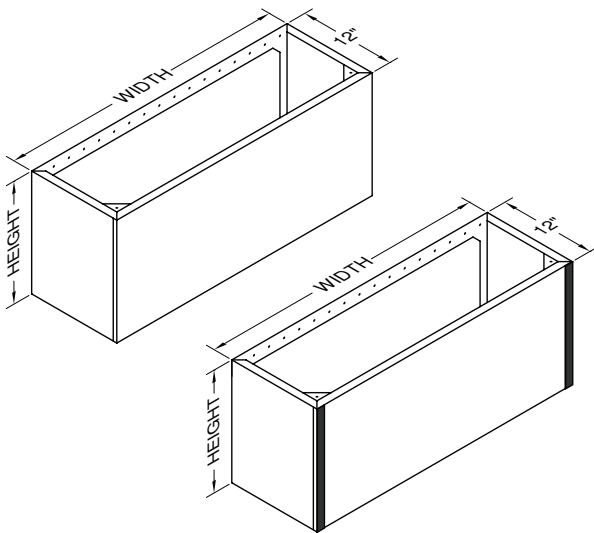
900 CFM OPTIONAL TRANSITION TO 10" ROUND: VP562
1200 CFM OPTIONAL TRANSITION TO 12" ROUND: VP563



JCWR18

JCWR18

Model No.	CFM	Width	Stainless	# Lts
JCWR18-130	300	30"	3,214	2
JCWR18-136		36"	3,292	2
JCWR18-142		42"	3,546	3
JCWR18-148		48"	3,669	3
JCWR18-230	600	30"	3,643	2
JCWR18-236		36"	3,721	2
JCWR18-242		42"	3,976	3
JCWR18-248		48"	4,099	3
JCWR18-254	900	54"	4,867	4
JCWR18-342		42"	4,432	3
JCWR18-348		48"	4,556	3
JCWR18-354		54"	5,322	4
JCWR18-360	1200	60"	5,786	4
JCWR18-448		48"	4,985	3
JCWR18-454		54"	5,752	4
JCWR18-460		60"	6,217	4
JCWR18-466		66"	6,248	4



WDCRND/XDCRND

Model No.	Width	Height	Painted	Stainless	Overlay	Ceiling
WDCRND-30	30"	12"	624	737	908	8'
WDCRND-30/24		24"	822	1,035	1,388	9'
WDCRND-30/36		36"	1,004	1,346	1,855	10'
WDCRND-36	36"	12"	666	792	1,004	8'
WDCRND-36/24		24"	892	1,162	1,572	9'
WDCRND-36/36		36"	1,133	1,529	2,138	10'
WDCRND-42	42"	12"	709	864	1,090	8'
WDCRND-42/24		24"	978	1,289	1,756	9'
WDCRND-42/36		36"	1,247	1,713	2,422	10'
WDCRND-48	48"	12"	737	921	1,189	8'
WDCRND-48/24		24"	1,048	1,402	1,955	9'
WDCRND-48/36		36"	1,360	1,884	2,703	10'
WDCRND-54	54"	12"	779	978	1,289	8'
WDCRND-60	60"	12"	822	1,035	1,388	8'
WDCRND-66	66"	12"	864	1,105	1,473	8'
CUSTOM	WIDTH X HEIGHT X		0.57	0.92	1.44	
	PLUS					473
FINISHED TOP	WIDTH X DEPTH X		0.57	0.92	1.44	
	PLUS					276
SLOPED TOP •	ADD					473

USE XDCRND MODEL NUMBER PREFIX FOR XRH18/XRXH18 HOODS.
1" SS BANDS INCLUDED ON PAINTED AND STAINLESS XDCRND MODELS.
CEILING BASED ON REC. MAXIMUM MOUNTING HEIGHT FOR 18" T WALL MOUNT HOOD.
• SPECIFY FRONT TO BACK OR LEFT TO RIGHT DIMENSIONS.

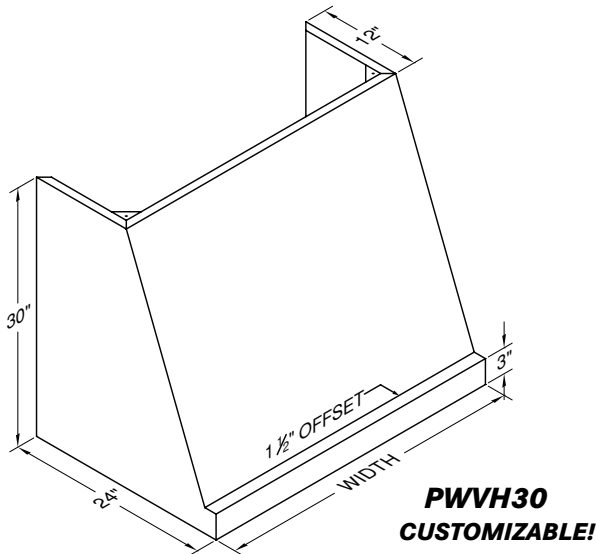
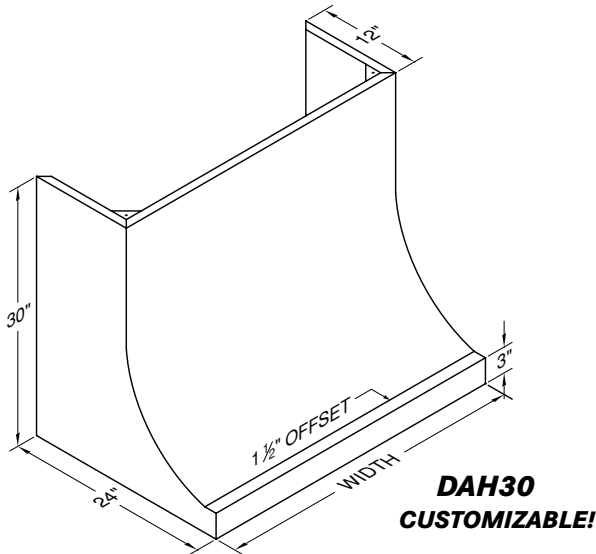
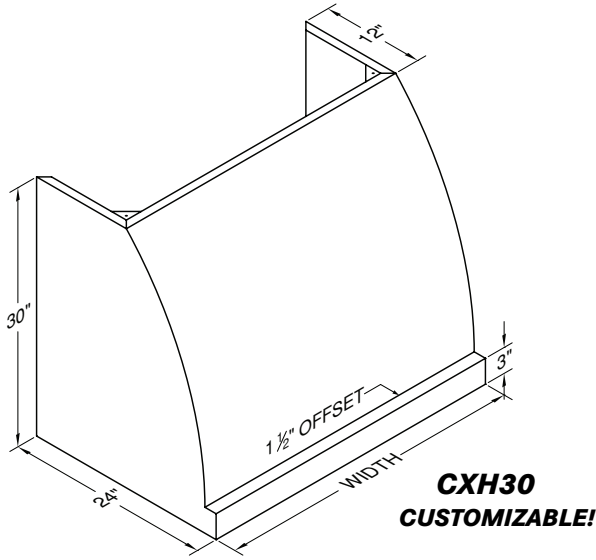
18" TALL WALL MOUNT HOOD VARIATIONS

WIDTHS OVER 66"				CLIPPED CORNER (NON-NP/SL/XR MODELS)
FOR EACH 6" INCREMENT	PAINTED 214	STAINLESS 307	OVERLAY 381	PER CORNER, ADD 473
SPECIAL WIDTH (LESS THAN 66")				SPECIAL BLOWER LOCATION
USE NEXT LARGEST SIZE ON PRICE LIST, PLUS		276		LEFT TO RIGHT, SPECIFY COLLAR CENTERLINE ADD 276
SPECIAL HEIGHT (LESS THAN STANDARD HOOD HEIGHT)				SPECIAL DECK (9" MINIMUM)
USE STANDARD HOOD PRICE, PLUS		473		ADD 276
DEPTH OVER 24" (EXCLUDING 27" WHERE APPLICABLE)				STAINLESS STEEL INTERIOR ON OVERLAY HOOD
WIDTH X EXTRA DEPTH X	PAINTED 1.37	STAINLESS 2.01	OVERLAY 2.73	SUBTRACT PAINTED HOOD PRICE FROM STAINLESS HOOD PRICE
PLUS		473		ADDITIONAL BLOWERS & LIGHTS
SPECIAL DEPTH (LESS THAN 24")				SEE PAGE 50 FOR BLOWER OPTIONS
USE STANDARD HOOD PRICE, PLUS		473		REMOTE BLOWER OPTIONS
SLOPE, LIP, OFFSET, OR TOP VARIATION				SEE PAGES 50-51 FOR REMOTE BLOWER OPTIONS
PER VARIATION, ADD		473		CUSTOM COLOR (SEE CUSTOM COLOR CHART)
CONCAVE, CONVEX, SLOPED END (NON-OVERLAY SL MODELS)				ADD 863
TOP WIDTH REDUCED BY 6" EACH. PER END, ADD			473	TRIM OPTIONS
				XR HOOD TRIM, NON-STANDARD COLOR 138
				JCWR18/XR HOOD TRIM, REMOVE 138
				SEE PAGES 56-57 FOR FINISH AND TRIM OPTIONS
				WARMING LAMPS AND SHELVES
				SEE PAGES 53 FOR WARMING LAMP AND SHELF OPTIONS

PROFESSIONAL/STANDARD WALL MOUNT

REC. MOUNTING HEIGHT FROM COOKING SURFACE: 30"

900 CFM OPTIONAL TRANSITION TO 10" ROUND: VP562
1200 CFM OPTIONAL TRANSITION TO 12" ROUND: VP563



CXH30

Model No.	CFM	Width	Painted	Stainless	Overlay*	# Lts
CXH30-130	300	30"	3,001	4,053	5,695	2
CXH30-136		36"	3,160	4,275	6,108	2
CXH30-142		42"	3,501	4,678	6,747	3
CXH30-148		48"	3,724	4,965	7,224	3
CXH30-230	600	30"	3,445	4,538	6,139	2
CXH30-236		36"	3,604	4,761	6,552	2
CXH30-242		42"	3,944	5,164	7,191	3
CXH30-248		48"	4,167	5,452	7,668	3
CXH30-254	900	54"	4,777	6,319	8,829	4
CXH30-342		42"	4,415	5,745	7,663	3
CXH30-348		48"	4,637	6,034	8,139	3
CXH30-354		54"	5,250	6,899	9,299	4
CXH30-360	1200	60"	5,664	7,456	10,063	4
CXH30-448		48"	5,082	6,519	8,583	3
CXH30-454		54"	5,693	7,387	9,744	4
CXH30-460		60"	6,107	7,942	10,504	4
CXH30-466		66"	6,409	8,357	11,154	4

*FOR OVERLAY MODELS, SPECIFY INTERIOR COLOR.

DAH30

Model No.	CFM	Width	Painted	Stainless	Overlay*	# Lts
DAH30-130	300	30"	3,001	4,053	5,695	2
DAH30-136		36"	3,160	4,275	6,108	2
DAH30-142		42"	3,501	4,678	6,747	3
DAH30-148		48"	3,724	4,965	7,224	3
DAH30-230	600	30"	3,445	4,538	6,139	2
DAH30-236		36"	3,604	4,761	6,552	2
DAH30-242		42"	3,944	5,164	7,191	3
DAH30-248		48"	4,167	5,452	7,668	3
DAH30-254	900	54"	4,777	6,319	8,829	4
DAH30-342		42"	4,415	5,745	7,663	3
DAH30-348		48"	4,637	6,034	8,139	3
DAH30-354		54"	5,250	6,899	9,299	4
DAH30-360	1200	60"	5,664	7,456	10,063	4
DAH30-448		48"	5,082	6,519	8,583	3
DAH30-454		54"	5,693	7,387	9,744	4
DAH30-460		60"	6,107	7,942	10,504	4
DAH30-466		66"	6,409	8,357	11,154	4

*FOR OVERLAY MODELS, SPECIFY INTERIOR COLOR.

PWVH30

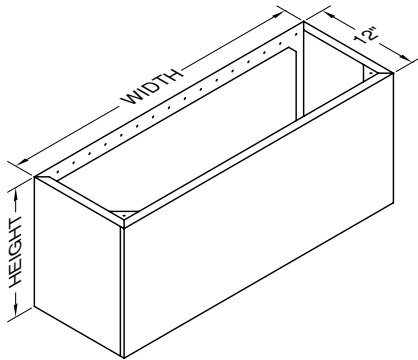
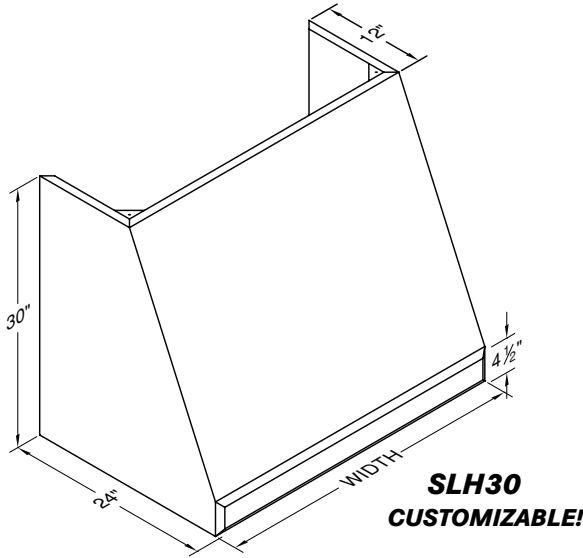
Model No.	CFM	Width	Painted	Stainless	Overlay*	# Lts
PWVH30-130	300	30"	3,001	4,053	5,695	2
PWVH30-136		36"	3,160	4,275	6,108	2
PWVH30-142		42"	3,501	4,678	6,747	3
PWVH30-148		48"	3,724	4,965	7,224	3
PWVH30-230	600	30"	3,445	4,538	6,139	2
PWVH30-236		36"	3,604	4,761	6,552	2
PWVH30-242		42"	3,944	5,164	7,191	3
PWVH30-248		48"	4,167	5,452	7,668	3
PWVH30-254	900	54"	4,777	6,319	8,829	4
PWVH30-342		42"	4,415	5,745	7,663	3
PWVH30-348		48"	4,637	6,034	8,139	3
PWVH30-354		54"	5,250	6,899	9,299	4
PWVH30-360	1200	60"	5,664	7,456	10,063	4
PWVH30-448		48"	5,082	6,519	8,583	3
PWVH30-454		54"	5,693	7,387	9,744	4
PWVH30-460		60"	6,107	7,942	10,504	4
PWVH30-466		66"	6,409	8,357	11,154	4

*FOR OVERLAY MODELS, SPECIFY INTERIOR COLOR.

PROFESSIONAL/STANDARD WALL MOUNT

REC. MOUNTING HEIGHT FROM
COOKING SURFACE: 30"

900 CFM OPTIONAL TRANSITION TO 10" ROUND: VP562
1200 CFM OPTIONAL TRANSITION TO 12" ROUND: VP563



SLH30

Model No.	CFM	Width	Painted	Stainless	Overlay*	# Lts
SLH30-130	300	30"	3,001	4,053	5,695	2
SLH30-136		36"	3,160	4,275	6,108	2
SLH30-142		42"	3,501	4,678	6,747	3
SLH30-148		48"	3,724	4,965	7,224	3
SLH30-230	600	30"	3,445	4,538	6,139	2
SLH30-236		36"	3,604	4,761	6,552	2
SLH30-242		42"	3,944	5,164	7,191	3
SLH30-248		48"	4,167	5,452	7,668	3
SLH30-254	900	54"	4,777	6,319	8,829	4
SLH30-342		42"	4,415	5,745	7,663	3
SLH30-348		48"	4,637	6,034	8,139	3
SLH30-354		54"	5,250	6,899	9,299	4
SLH30-360	1200	60"	5,664	7,456	10,063	4
SLH30-448		48"	5,082	6,519	8,583	3
SLH30-454		54"	5,693	7,387	9,744	4
SLH30-460		60"	6,107	7,942	10,504	4
SLH30-466		66"	6,409	8,357	11,154	4

*FOR OVERLAY MODELS, SPECIFY INTERIOR COLOR.

WDCRND

Model No.	Width	Height	Painted	Stainless	Overlay	Ceiling
WDCRND-30	30"	12"	624	737	908	9'
WDCRND-30/24		24"	822	1,035	1,388	10'
WDCRND-30/36		36"	1,004	1,346	1,855	11'
WDCRND-36	36"	12"	666	792	1,004	9'
WDCRND-36/24		24"	892	1,162	1,572	10'
WDCRND-36/36		36"	1,133	1,529	2,138	11'
WDCRND-42	42"	12"	709	864	1,090	9'
WDCRND-42/24		24"	978	1,289	1,756	10'
WDCRND-42/36		36"	1,247	1,713	2,422	11'
WDCRND-48	48"	12"	737	921	1,189	9'
WDCRND-48/24		24"	1,048	1,402	1,955	10'
WDCRND-48/36		36"	1,360	1,884	2,703	11'
WDCRND-54	54"	12"	779	978	1,289	9'
WDCRND-60	60"	12"	822	1,035	1,388	9'
WDCRND-66	66"	12"	864	1,105	1,473	9'
CUSTOM	WIDTH X HEIGHT X		0.57	0.92	1.44	
	PLUS			473		
FINISHED TOP	WIDTH X DEPTH X		0.57	0.92	1.44	
	PLUS			276		
SLOPED TOP*	ADD			473		

CEILING BASED ON REC. MAXIMUM MOUNTING HEIGHT FOR 30" T WALL MOUNT HOOD.

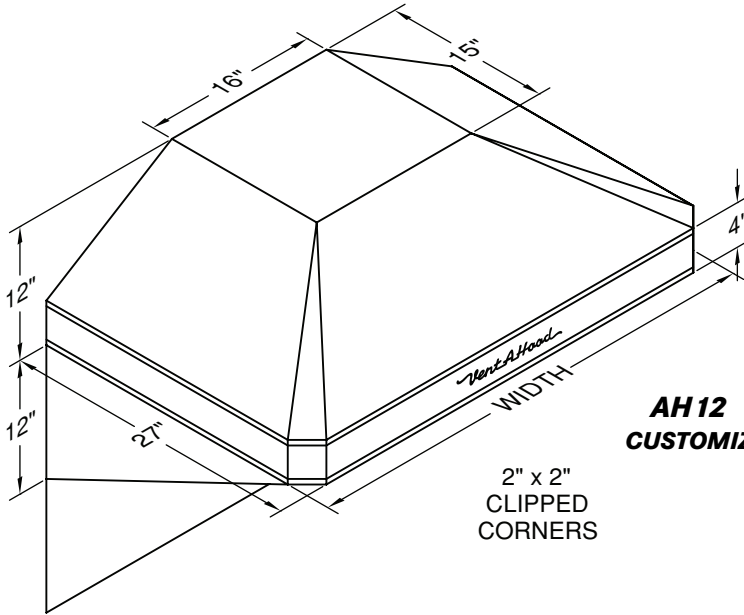
* SPECIFY FRONT TO BACK OR LEFT TO RIGHT DIMENSIONS.

30" TALL WALL MOUNT HOOD VARIATIONS

WIDTHS OVER 66"				CONCAVE, CONVEX, SLOPED END (NON-OVERLAY SL MODELS)	
FOR EACH 6" INCREMENT	PAINTED	STAINLESS	OVERLAY	TOP WIDTH REDUCED BY 6" EACH. PER END, ADD	473
PLUS	214	307	381	CLIPPED CORNER (NON-NP/SL/XR MODELS)	
		276		PER CORNER, ADD	473
SPECIAL WIDTH (LESS THAN 66")				SPECIAL BLOWER LOCATION	
USE NEXT LARGEST SIZE ON PRICE LIST,				LEFT TO RIGHT, SPECIFY COLLAR CENTERLINE	
PLUS		276		ADD	276
HEIGHT OVER 30"				SPECIAL DECK (9" MINIMUM, 12" STANDARD)	
WIDTH X EXTRA HEIGHT X	PAINTED	STAINLESS	OVERLAY	ADD	276
PLUS	1.37	2.01	2.73	STAINLESS STEEL INTERIOR ON OVERLAY HOOD	
		473		SUBTRACT PAINTED HOOD PRICE FROM STAINLESS HOOD PRICE	
SPECIAL HEIGHT (LESS THAN STANDARD HOOD HEIGHT)				ADDITIONAL BLOWERS & LIGHTS	
USE STANDARD HOOD PRICE,				SEE PAGE 50 FOR BLOWER OPTIONS	
PLUS		473		REMOTE BLOWER OPTIONS	
DEPTH OVER 24" (EXCLUDING 27" WHERE APPLICABLE)				SEE PAGES 50-51 FOR REMOTE BLOWER OPTIONS	
WIDTH X EXTRA DEPTH X	PAINTED	STAINLESS	OVERLAY	CUSTOM COLOR (SEE CUSTOM COLOR CHART)	
PLUS	1.37	2.01	2.73	ADD	863
		473		TRIM OPTIONS	
SPECIAL DEPTH (LESS THAN 24")				SEE PAGES 56-57 FOR FINISH AND TRIM OPTIONS	
USE STANDARD HOOD PRICE,				WARMING LAMPS AND SHELVES	
PLUS		473		SEE PAGES 53 FOR WARMING LAMP AND SHELF OPTIONS	
SLOPE, LIP, OFFSET, OR TOP VARIATION					
PER VARIATION, ADD		473			

PROFESSIONAL/STANDARD WALL MOUNT

REC. MOUNTING HEIGHT FROM COOKING SURFACE: 33"



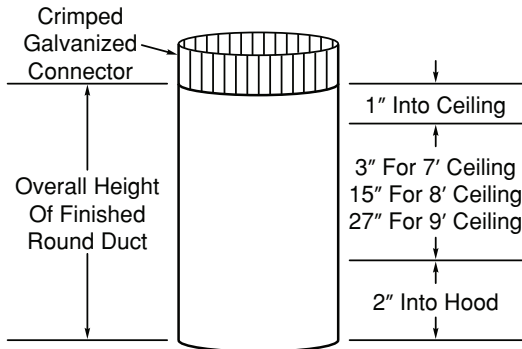
**AH12
CUSTOMIZABLE!**

2" x 2"
CLIPPED
CORNERS

AH12

Model No.	CFM	Width	Painted	# Lts
AH12-130	300	30"	2,108	2
AH12-136		36"	2,139	2
AH12-142		42"	2,369	3
AH12-148		48"	2,463	3
AH12-236	600	36"	2,583	2
AH12-242		42"	2,813	3
AH12-248		48"	2,907	3

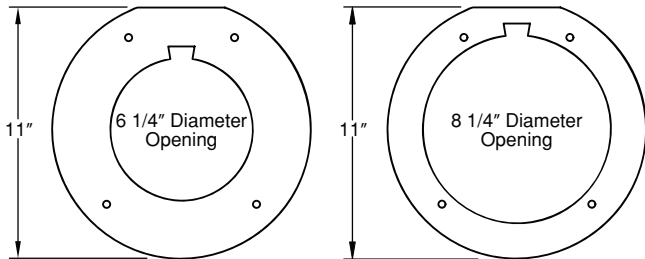
HOOD INCLUDES TWO SIDE WING PANELS AND SPLASH PANEL 30" TALL X WIDTH OF HOOD.



FINISHED DUCTS FOR AH12

Model No.	Width	Height	Painted	Ceiling
ARDC-6/6	6"	6"	88	7'
ARDC-6/18		18"	117	8'
ARDC-6/30		30"	144	9'
ARDC-8/6	8"	6"	88	7'
ARDC-8/18		18"	144	8'
ARDC-8/30		30"	175	9'
CUSTOM	WIDTH X HEIGHT X PLUS		0.57	473

NOTE: FINISHED ROUND DUCT EXTENDS 2" INTO TOP OF HOOD AND 1" INTO CEILING. CEILING BASED ON REC. MAXIMUM HOOD MOUNTING HEIGHT.



FINISHED DUCT ACCESSORIES

MODEL NO.	WIDTH	PAINTED
ARC6	6"	27
ARC8	8"	27

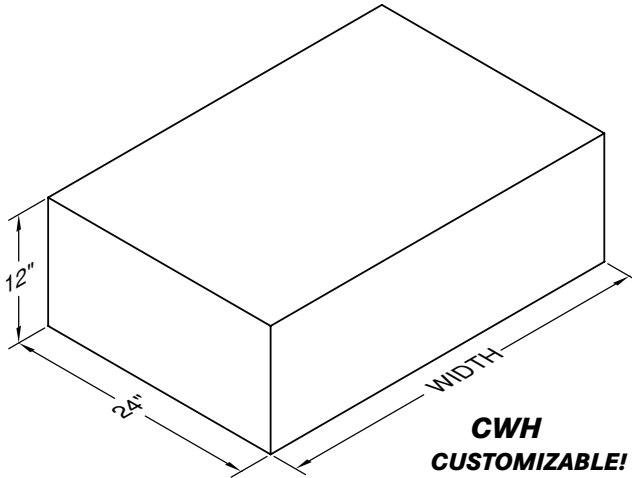
AH12 RETRO-STYLE WALL MOUNT HOOD VARIATIONS

SPECIAL WIDTH (LESS THAN 48") USE NEXT LARGEST SIZE ON PRICE LIST, PLUS	473	CUSTOM COLOR (SEE CUSTOM COLOR CHART) ADD	863
--	-----	---	-----

PROFESSIONAL/STANDARD WALL MOUNT

REC. MOUNTING HEIGHT FROM COOKING SURFACE: 30"

900 CFM OPTIONAL TRANSITION TO 10" ROUND: VP562
1200 CFM OPTIONAL TRANSITION TO 12" ROUND: VP563



Model No.	CFM	Width	CWH			# Lts
			Painted	Stainless	Overlay*	
CWH-130	300	30"	1,974	2,729	3,727	2
CWH-136		36"	2,004	2,775	3,876	2
CWH-142		42"	2,253	3,008	4,262	3
CWH-148		48"	2,357	3,129	4,471	3
CWH-230	600	30"	2,417	3,216	4,170	2
CWH-236		36"	2,447	3,261	4,320	2
CWH-242		42"	2,696	3,494	4,706	3
CWH-248		48"	2,801	3,613	4,914	3
CWH-254		54"	3,335	4,343	5,689	4
CWH-342	900	42"	3,167	4,076	5,176	3
CWH-348		48"	3,271	4,195	5,386	3
CWH-354		54"	3,806	4,925	6,160	4
CWH-360		60"	4,061	5,270	6,624	4
CWH-448	1200	48"	3,715	4,681	5,829	3
CWH-454		54"	4,250	5,410	6,604	4
CWH-460		60"	4,504	5,756	7,068	4
CWH-466		66"	4,714	6,010	7,428	4

*FOR OVERLAY MODELS, SPECIFY INTERIOR COLOR.

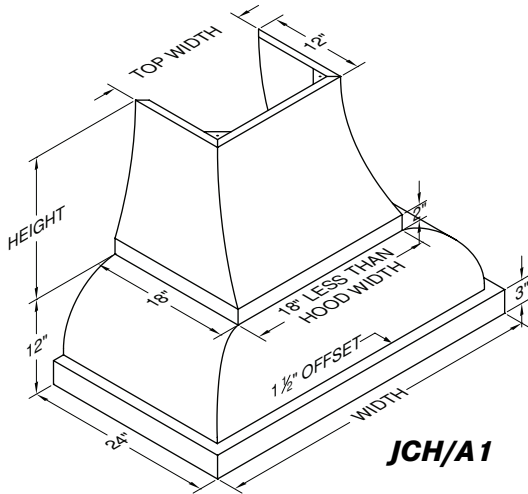
CWH WALL MOUNT HOOD VARIATIONS

WIDTHS OVER 66"				ROUNDED CORNER
FOR EACH 6" INCREMENT	PAINTED 214	STAINLESS 307	OVERLAY 381	NO OFFSETS OR LIP, MINIMUM 4 INCH RADIUS PER CORNER, ADD 534
PLUS		276		SPECIAL BLOWER LOCATION
SPECIAL WIDTH (LESS THAN 66")				LEFT TO RIGHT, SPECIFY COLLAR CENTERLINE
USE NEXT LARGEST SIZE ON PRICE LIST,				ADD 276
PLUS		276		SPECIAL DECK (9" MINIMUM)
SPECIAL HEIGHT (BETWEEN 9" & 12")				ADD 276
USE STANDARD PRICE,				STAINLESS STEEL INTERIOR ON OVERLAY HOOD
PLUS		473		SUBTRACT PAINTED HOOD PRICE FROM STAINLESS HOOD PRICE
HEIGHT OVER 12"				ADDITIONAL BLOWERS & LIGHTS
WIDTH X EXTRA HEIGHT X	PAINTED 1.37	STAINLESS 2.01	OVERLAY 2.73	SEE PAGE 50 FOR BLOWER OPTIONS
PLUS		473		REMOTE BLOWER OPTIONS
DEPTH LESS THAN 24"				SEE PAGES 50-51 FOR REMOTE BLOWER OPTIONS
ADD		473		CUSTOM COLOR (SEE CUSTOM COLOR CHART)
DEPTH OVER 24"				ADD 863
WIDTH X EXTRA DEPTH X	PAINTED 1.37	STAINLESS 2.01	OVERLAY 2.73	TRIM OPTIONS
PLUS		473		SEE PAGES 56-57 FOR FINISH AND TRIM OPTIONS
LIP AND OFFSET				WARMING LAMPS AND SHELVES
1, 2 OR 3 SIDES, ADD		473		SEE PAGES 53 FOR WARMING LAMP AND SHELF OPTIONS

DESIGNER SERIES WALL MOUNT

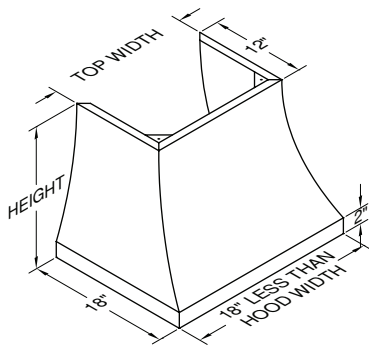
REC. MOUNTING HEIGHT FROM COOKING SURFACE: 30"

900 CFM & 1200 CFM MODELS:
TRANSITION INCLUDED IN HOOD



JCH/A1

SHOWN WITH MATCHING DUCT COVER (SOLD SEPARATELY)



JCH/A1

Model No.	CFM	Width	Top W.	Painted	Stainless	Overlay*	# Lts
JCH136/A1	300	36"	18"	2,680	3,298	4,330	2
JCH142/A1		42"	24"	2,893	3,480	4,667	3
JCH148/A1		48"	30"	2,999	3,617	4,837	3
JCH236/A1	600	36"	18"	3,108	3,767	4,759	2
JCH242/A1		42"	24"	3,321	3,949	5,097	3
JCH248/A1		48"	30"	3,428	4,087	5,267	3
JCH348/A1	900*	48"	30"	3,885	4,650	5,723	3
JCH354/A1		54"	36"	4,602	5,544	6,764	4
JCH360/A1		60"	42"	4,772	5,775	7,118	4
JCH454/A1		54"	36"	5,030	6,013	7,193	4
JCH460/A1	1200+	60"	42"	5,200	6,247	7,548	4
JCH466/A1		66"	48"	5,405	6,518	7,921	4

*FOR OVERLAY HOODS, SPECIFY INTERIOR COLOR.
*VP562 TRANSITION TO 10" ROUND INCLUDED.
+VP563 TRANSITION TO 12" ROUND INCLUDED.

DUCT COVERS FOR JCH/A1

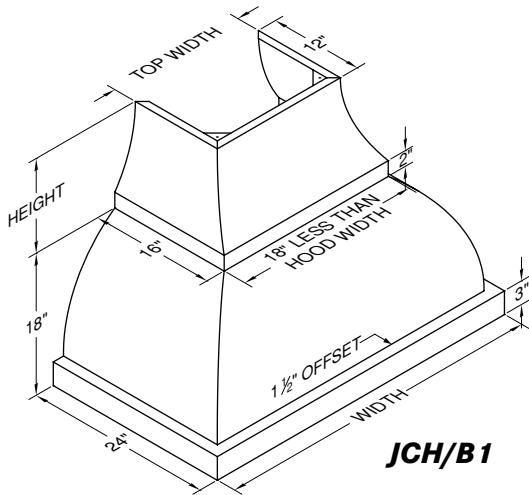
Model No.	Width	Top W.	Height	Painted	Stainless	Overlay*	Ceiling
CDC-18/12/18	18"	12"	18"	1,024	1,127	1,271	8'
CDC-18/12/30		12"	30"	1,487	1,661	1,921	9'
CDC-18/12/42		12"	42"	1,603	1,847	2,223	10'
CDC-24/12/18	24"	18"	18"	1,084	1,212	1,415	8'
CDC-24/12/30		12"	30"	1,588	1,820	2,167	9'
CDC-24/12/42		12"	42"	1,747	2,064	2,570	10'
CDC-30/12/18	30"	24"	18"	1,141	1,299	1,559	8'
CDC-30/12/30		12"	30"	1,690	1,977	2,410	9'
CDC-30/12/42		12"	42"	1,890	2,294	2,916	10'
CDC-36/12/18	36"	30"	18"	1,199	1,400	1,705	8'
CDC-36/12/30		18"	30"	1,791	2,136	2,657	9'
CDC-36/12/42		18"	42"	2,036	2,510	3,262	10'
CDC-42/12/18	42"	36"	18"	1,256	1,487	1,834	8'
CDC-42/12/30		24"	30"	1,890	2,294	2,916	9'
CDC-42/12/42		18"	42"	2,179	2,742	3,593	10'
CDC-48/12/18	48"	42"	18"	1,314	1,574	1,977	8'
CDC-48/12/30		30"	30"	1,992	2,454	3,160	9'
CDC-48/12/42		24"	42"	2,323	2,959	3,939	10'

*TRIM REQUIRED ON MODELS EXCEEDING 35" WIDTH AND 30" HEIGHT.
CEILING BASED ON REC. MAXIMUM HOOD MOUNTING HEIGHT.

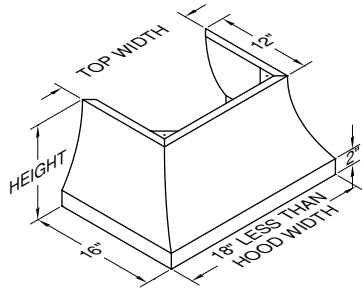
DESIGNER SERIES WALL MOUNT

REC. MOUNTING HEIGHT FROM COOKING SURFACE: 30"

900 CFM & 1200 CFM MODELS:
TRANSITION INCLUDED IN HOOD



SHOWN WITH MATCHING DUCT COVER (SOLD SEPARATELY)



JCH/B1

Model No.	CFM	Width	Top W.	Painted	Stainless	Overlay*	# Lts
JCH136/B1	300	36"	18"	2,680	3,298	4,330	2
JCH142/B1		42"	24"	2,893	3,480	4,667	3
JCH148/B1		48"	30"	2,999	3,617	4,837	3
JCH236/B1	600	36"	18"	3,108	3,767	4,759	2
JCH242/B1		42"	24"	3,321	3,949	5,097	3
JCH248/B1		48"	30"	3,428	4,087	5,267	3
JCH348/B1	900*	48"	30"	3,885	4,650	5,723	3
JCH354/B1		54"	36"	4,602	5,544	6,764	4
JCH360/B1		60"	42"	4,772	5,775	7,118	4
JCH454/B1	1200+	54"	36"	5,030	6,013	7,193	4
JCH460/B1		60"	42"	5,200	6,247	7,548	4
JCH466/B1		66"	48"	5,405	6,518	7,921	4

*FOR OVERLAY HOODS, SPECIFY INTERIOR COLOR.
*VP562 TRANSITION TO 10" ROUND INCLUDED.
*VP563 TRANSITION TO 12" ROUND INCLUDED.

DUCT COVERS FOR JCH/B1

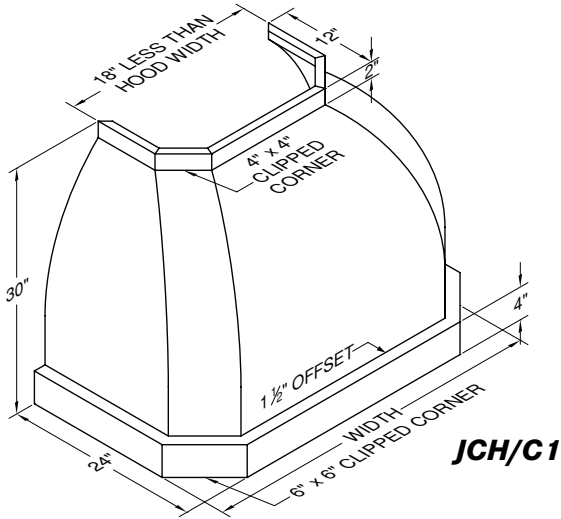
Model No.	Width	Top W.	Height	Painted	Stainless	Overlay*	Ceiling
CDC-18/12/12	18"	12"	12"	1,024	1,127	1,271	8'
CDC-18/12/24		12"	24"	1,487	1,661	1,921	9'
CDC-18/12/36		12"	36"	1,603	1,847	2,223	10'
CDC-24/12/12	24"	18"	12"	1,084	1,212	1,415	8'
CDC-24/12/24		12"	24"	1,588	1,820	2,167	9'
CDC-24/12/36		12"	36"	1,747	2,064	2,570	10'
CDC-30/12/12	30"	24"	12"	1,141	1,299	1,559	8'
CDC-30/12/24		12"	24"	1,690	1,977	2,410	9'
CDC-30/12/36		12"	36"	1,890	2,294	2,916	10'
CDC-36/12/12	36"	30"	12"	1,199	1,400	1,705	8'
CDC-36/12/24		18"	24"	1,791	2,136	2,657	9'
CDC-36/12/36		18"	36"	2,036	2,510	3,262	10'
CDC-42/12/12	42"	36"	12"	1,256	1,487	1,834	8'
CDC-42/12/24		24"	24"	1,890	2,294	2,916	9'
CDC-42/12/36		18"	36"	2,179	2,742	3,593	10'
CDC-48/12/12	48"	42"	12"	1,314	1,574	1,977	8'
CDC-48/12/24		30"	24"	1,992	2,454	3,160	9'
CDC-48/12/36		24"	36"	2,323	2,959	3,939	10'

*TRIM REQUIRED ON MODELS EXCEEDING 35" WIDTH AND 30" HEIGHT.
CEILING BASED ON REC. MAXIMUM HOOD MOUNTING HEIGHT.

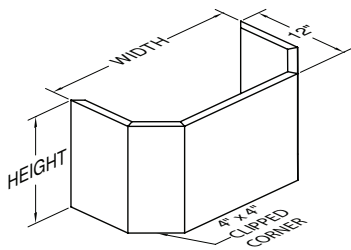
DESIGNER SERIES WALL MOUNT

REC. MOUNTING HEIGHT FROM COOKING SURFACE: 30"

900 CFM OPTIONAL TRANSITION TO 10" ROUND: VP562
1200 CFM OPTIONAL TRANSITION TO 12" ROUND: VP563



JCH/C1



JCH/C1

Model No.	CFM	Width	Painted	Stainless	Overlay*	# Lts
JCH136/C1	300	36"	3,804	4,828	6,486	2
JCH142/C1		42"	4,120	5,189	7,078	3
JCH148/C1		48"	4,323	5,454	7,512	3
JCH236/C1	600	36"	4,232	5,297	6,916	2
JCH242/C1		42"	4,551	5,658	7,507	3
JCH248/C1		48"	4,750	5,923	7,940	3
JCH348/C1	900	48"	5,206	6,488	8,396	3
JCH354/C1		54"	5,831	7,332	9,515	4
JCH360/C1		60"	6,113	7,750	10,115	4
JCH454/C1	1200	54"	6,262	7,801	9,943	4
JCH460/C1		60"	6,541	8,221	10,545	4
JCH466/C1		66"	6,806	8,591	11,132	4

*FOR OVERLAY HOODS, SPECIFY INTERIOR COLOR.

DUCT COVERS FOR JCH/C1

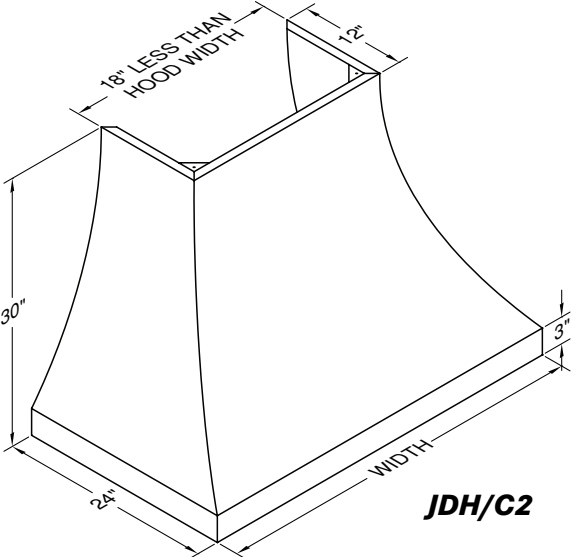
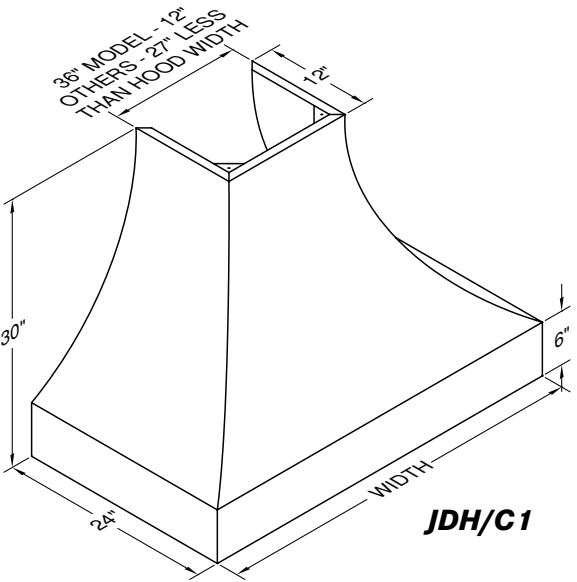
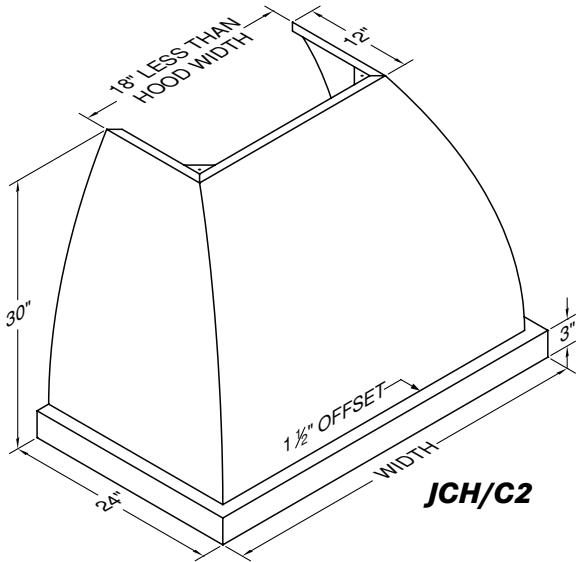
Model No.	Width	Height	Painted	Stainless	Overlay	Ceiling
WDCC4-18/12	18"	12"	981	1,055	1,155	9'
WDCC4-18/24		24"	1,097	1,242	1,443	10'
WDCC4-24/12	24"	12"	1,024	1,111	1,256	9'
WDCC4-24/24		24"	1,184	1,358	1,646	10'
WDCC4-30/12	30"	12"	1,055	1,171	1,358	9'
WDCC4-30/24		24"	1,256	1,487	1,847	10'
WDCC4-36/12	36"	12"	1,097	1,242	1,443	9'
WDCC4-36/24		24"	1,342	1,617	2,036	10'
WDCC4-42/12	42"	12"	1,141	1,299	1,544	9'
WDCC4-42/24		24"	1,430	1,747	2,238	10'
WDCC4-48/12	48"	12"	1,184	1,358	1,646	9'
WDCC4-48/24		24"	1,502	1,877	2,440	10'

CEILING BASED ON REC. MAXIMUM HOOD MOUNTING HEIGHT.

DESIGNER SERIES WALL MOUNT

REC. MOUNTING HEIGHT FROM COOKING SURFACE: 30"

900 CFM JCH/C2 OPTIONAL TRANSITION TO 10" ROUND: VP562
 1200 CFM JCH/C2 OPTIONAL TRANSITION TO 12" ROUND: VP563
 900/1200 CFM JDH/C1 & JDH/C2 MODELS: TRANSITION INCLUDED



JCH/C2

Model No.	CFM	Width	Painted	Stainless	Overlay*	# Lts
JCH136/C2	300	36"	3,653	4,699	6,365	2
JCH142/C2		42"	3,957	5,053	6,936	3
JCH148/C2		48"	4,158	5,300	7,370	3
JCH236/C2	600	36"	4,082	5,168	6,795	2
JCH242/C2		42"	4,388	5,522	7,367	3
JCH248/C2		48"	4,586	5,771	7,799	3
JCH348/C2	900	48"	5,044	6,334	8,255	3
JCH354/C2		54"	5,805	7,196	9,511	4
JCH360/C2		60"	6,084	7,753	10,130	4
JCH454/C2	1200	54"	6,235	7,666	9,941	4
JCH460/C2		60"	6,514	8,223	10,559	4
JCH466/C2		66"	6,840	8,663	11,195	4

*FOR OVERLAY HOODS, SPECIFY INTERIOR COLOR.

JDH/C1

Model No.	CFM	Width	Painted	Stainless	Overlay*	# Lts
JDH136/C1	300	36"	3,653	4,699	6,365	2
JDH142/C1		42"	3,957	5,053	6,936	3
JDH148/C1		48"	4,158	5,300	7,370	3
JDH236/C1	600	36"	4,082	5,168	6,795	2
JDH242/C1		42"	4,388	5,522	7,367	3
JDH248/C1		48"	4,586	5,771	7,799	3
JDH348/C1	900*	48"	5,044	6,334	8,255	3
JDH354/C1		54"	5,805	7,196	9,511	4
JDH360/C1		60"	6,084	7,753	10,130	4
JDH454/C1	1200+	54"	6,235	7,666	9,941	4
JDH460/C1		60"	6,514	8,223	10,559	4
JDH466/C1		66"	6,840	8,663	11,195	4

*FOR OVERLAY HOODS, SPECIFY INTERIOR COLOR.

*VP562 TRANSITION TO 10" ROUND INCLUDED.

+VP563 TRANSITION TO 12" ROUND INCLUDED.

JDH/C2

Model No.	CFM	Width	Painted	Stainless	Overlay*	# Lts
JDH136/C2	300	36"	3,653	4,699	6,365	2
JDH142/C2		42"	3,957	5,053	6,936	3
JDH148/C2		48"	4,158	5,300	7,370	3
JDH236/C2	600	36"	4,082	5,168	6,795	2
JDH242/C2		42"	4,388	5,522	7,367	3
JDH248/C2		48"	4,586	5,771	7,799	3
JDH348/C2	900*	48"	5,044	6,334	8,255	3
JDH354/C2		54"	5,805	7,196	9,511	4
JDH360/C2		60"	6,084	7,753	10,130	4
JDH454/C2	1200+	54"	6,235	7,666	9,941	4
JDH460/C2		60"	6,514	8,223	10,559	4
JDH466/C2		66"	6,840	8,663	11,195	4

*FOR OVERLAY HOODS, SPECIFY INTERIOR COLOR.

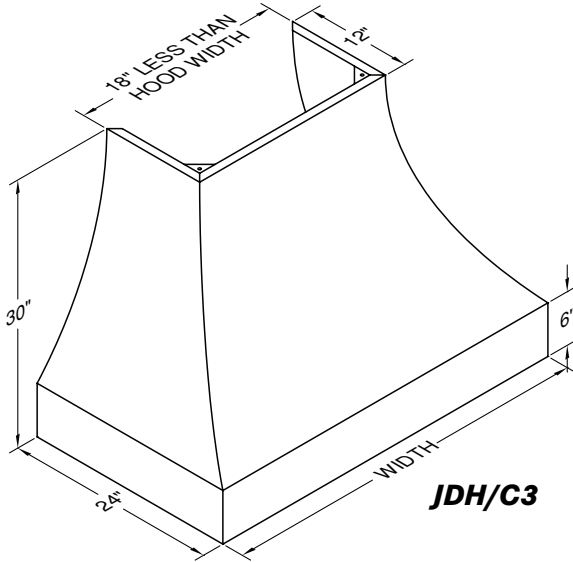
*VP562 TRANSITION TO 10" ROUND INCLUDED.

+VP563 TRANSITION TO 12" ROUND INCLUDED.

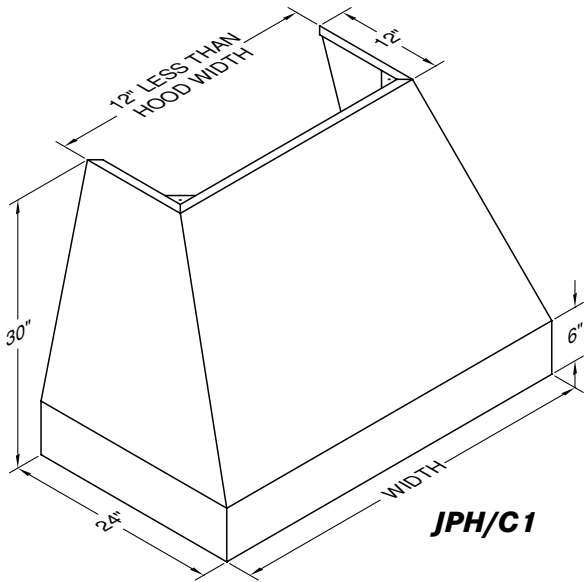
DESIGNER SERIES WALL MOUNT

REC. MOUNTING HEIGHT FROM COOKING SURFACE: 30"

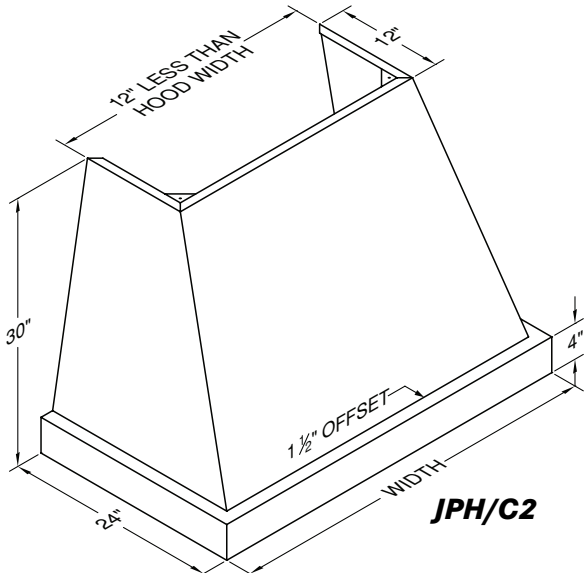
900/1200 CFM JDH/C3: TRANSITION INCLUDED
 900 CFM JPH/C1 & JPH/C2 OPTIONAL TRANSITION TO 10" ROUND: VP562
 1200 CFM JPH/C1 & JPH/C2 OPTIONAL TRANSITION TO 12" ROUND: VP563



JDH/C3



JPH/C1



JPH/C2

JDH/C3

Model No.	CFM	Width	Painted	Stainless	Overlay*	# Lts
JDH136/C3	300	36"	3,653	4,699	6,365	2
JDH142/C3		42"	3,957	5,053	6,936	3
JDH148/C3		48"	4,158	5,300	7,370	3
JDH236/C3	600	36"	4,082	5,168	6,795	2
JDH242/C3		42"	4,388	5,522	7,367	3
JDH248/C3		48"	4,586	5,771	7,799	3
JDH348/C3	900*	48"	5,044	6,334	8,255	3
JDH354/C3		54"	5,805	7,196	9,511	4
JDH360/C3		60"	6,084	7,753	10,130	4
JDH454/C3	1200+	54"	6,235	7,666	9,941	4
JDH460/C3		60"	6,514	8,223	10,559	4
JDH466/C3		66"	6,840	8,663	11,195	4

*FOR OVERLAY HOODS, SPECIFY INTERIOR COLOR.

*VP562 TRANSITION TO 10" ROUND INCLUDED.

+VP563 TRANSITION TO 12" ROUND INCLUDED.

JPH/C1

Model No.	CFM	Width	Painted	Stainless	Overlay*	# Lts
JPH136/C1	300	36"	3,653	4,699	6,365	2
JPH142/C1		42"	3,957	5,053	6,936	3
JPH148/C1		48"	4,158	5,300	7,370	3
JPH236/C1	600	36"	4,082	5,168	6,795	2
JPH242/C1		42"	4,388	5,522	7,367	3
JPH248/C1		48"	4,586	5,771	7,799	3
JPH348/C1	900	48"	5,044	6,334	8,255	3
JPH354/C1		54"	5,805	7,196	9,511	4
JPH360/C1		60"	6,084	7,753	10,130	4
JPH454/C1	1200	54"	6,235	7,666	9,941	4
JPH460/C1		60"	6,514	8,223	10,559	4
JPH466/C1		66"	6,840	8,663	11,195	4

*FOR OVERLAY HOODS, SPECIFY INTERIOR COLOR.

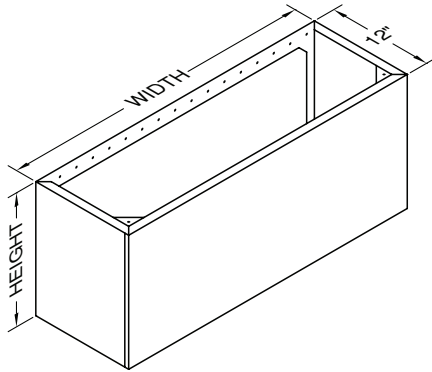
JPH/C2

Model No.	CFM	Width	Painted	Stainless	Overlay*	# Lts
JPH136/C2	300	36"	3,653	4,699	6,365	2
JPH142/C2		42"	3,957	5,053	6,936	3
JPH148/C2		48"	4,158	5,300	7,370	3
JPH236/C2	600	36"	4,082	5,168	6,795	2
JPH242/C2		42"	4,388	5,522	7,367	3
JPH248/C2		48"	4,586	5,771	7,799	3
JPH348/C2	900	48"	5,044	6,334	8,255	3
JPH354/C2		54"	5,805	7,196	9,511	4
JPH360/C2		60"	6,084	7,753	10,130	4
JPH454/C2	1200	54"	6,235	7,666	9,941	4
JPH460/C2		60"	6,514	8,223	10,559	4
JPH466/C2		66"	6,840	8,663	11,195	4

*FOR OVERLAY HOODS, SPECIFY INTERIOR COLOR.

DESIGNER SERIES WALL MOUNT

REC. MOUNTING HEIGHT FROM
COOKING SURFACE: 30"



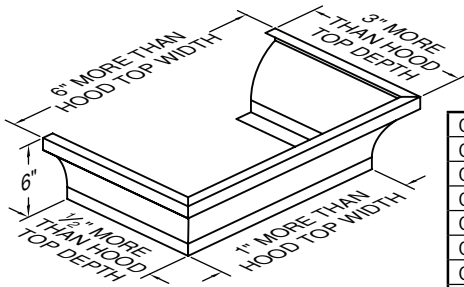
WDCRND FOR DESIGNER SERIES HOODS

Model No.	Width	Height	Painted	Stainless	Overlay	Ceiling
WDCRND-12/12	12"	12"	511	553	624	9'
WDCRND-12/24		24"	583	680	809	10'
WDCRND-15/12	15"	12"	539	596	680	9'
WDCRND-15/24		24"	638	750	935	10'
WDCRND-18/12	18"	12"	566	638	737	9'
WDCRND-18/24		24"	680	822	1,021	10'
WDCRND-21/12	21"	12"	583	666	779	9'
WDCRND-21/24		24"	724	878	1,120	10'
WDCRND-24/12	24"	12"	609	696	836	9'
WDCRND-24/24		24"	766	950	1,217	10'
WDCRND-27/12	27"	12"	624	724	878	9'
WDCRND-27/24		24"	809	1,004	1,317	10'
WDCRND-30/12	30"	12"	624	737	908	9'
WDCRND-30/24		24"	822	1,035	1,388	10'
WDCRND-33/12	33"	12"	666	792	978	9'
WDCRND-33/24		24"	878	1,133	1,515	10'
WDCRND-36/12	36"	12"	666	792	1,004	9'
WDCRND-36/24		24"	892	1,162	1,572	10'
WDCRND-39/12	39"	12"	709	850	1,076	9'
WDCRND-39/24		24"	962	1,247	1,700	10'
WDCRND-42/12	42"	12"	709	864	1,090	9'
WDCRND-42/24		24"	978	1,289	1,756	10'
WDCRND-48/12	48"	12"	737	921	1,189	9'
WDCRND-48/24		24"	1,048	1,402	1,955	10'
WDCRND-54/12	54"	12"	779	978	1,289	9'
WDCRND-54/24		24"	1,162	1,559	2,181	10'
CUSTOM	WIDTH X HEIGHT X		0.57	0.92	1.44	
	PLUS					473
FINISHED TOP	WIDTH X DEPTH X		0.57	0.92	1.44	
	PLUS					276
SLOPED TOP •	ADD					473

CEILING BASED ON REC. MAXIMUM MOUNTING HEIGHT FOR 30" T DESIGNER WALL MOUNT HOOD.
• SPECIFY FRONT TO BACK OR LEFT TO RIGHT DIMENSIONS.

WALL MOUNT CROWNS

CAN BE PLACED ON TOP OF A WALL MOUNT HOOD OR DUCT COVER

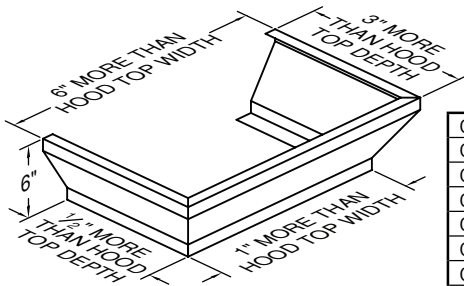


CRN-D6H

CRN-D6H

Model No. •	Application	Width	Depth	Lip+	Painted	Stainless	Overlay
CRN-D6H-10/10	10" x 10" Top	16"	13"	1"	2,419	2,453	2,503
CRN-D6H-12/12	12" x 12" Top	18"	15"	1"	2,426	2,464	2,520
CRN-D6H-15/12	15" x 12" Top	21"	15"	1"	2,436	2,480	2,546
CRN-D6H-18/12	18" X 12" Top	24"	15"	1"	2,447	2,497	2,572
CRN-D6H-21/12	21" x 12" Top	27"	15"	1"	2,457	2,514	2,598
CRN-D6H-24/12	24" x 12" Top	30"	15"	1"	2,467	2,530	2,624
CRN-D6H-26/12	26" x 12" Top	32"	15"	1"	2,474	2,541	2,641
CRN-D6H-26/14	26" x 14" Top	32"	17"	1"	2,474	2,541	2,641
CRN-D6H-27/12	27" x 12" Top	33"	15"	1"	2,477	2,547	2,650
CRN-D6H-30/12	30" x 12" Top	36"	15"	1"	2,488	2,563	2,676
CRN-D6H-33/12	33" x 12" Top	39"	15"	1"	2,498	2,580	2,701
CRN-D6H-34/12	34" x 12" Top	40"	15"	1"	2,501	2,585	2,710
CRN-D6H-36/12	36" x 12" Top	42"	15"	1"	2,508	2,596	2,727
CRN-D6H-39/12	39" x 12" Top	45"	15"	1"	2,518	2,613	2,753
CRN-D6H-42/12	42" x 12" Top	48"	15"	1"	2,529	2,629	2,779
CRN-D6H-45/12	45" x 12" Top	51"	15"	1"	2,539	2,646	2,805
CRN-D6H-48/12	48" x 12" Top	54"	15"	1"	2,549	2,663	2,831
CRN-D6H-54/12	54" x 12" Top	60"	15"	1"	2,570	2,696	2,883
CRN-D6H-60/12	60" x 12" Top	66"	15"	1"	2,590	2,729	2,935
CRN-D6H-66/12	66" x 12" Top	72"	15"	1"	2,611	2,762	2,987

• HOOD VERSION MODEL LISTED. USE CRN-D6D MODEL NUMBER PREFIX FOR USE ON A DUCT COVER.
+LIP HEIGHT APPLIES TO TOP LIP AND BOTTOM LIP.



CRN-P6H

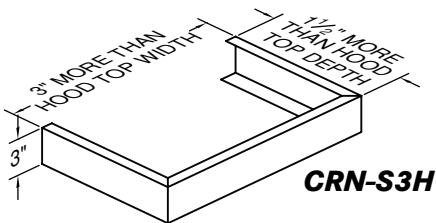
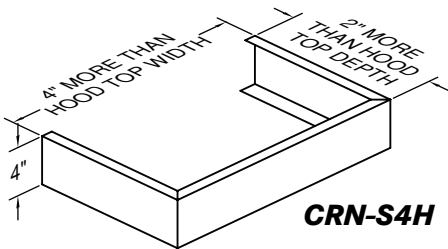
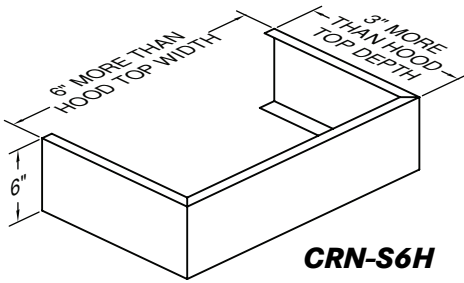
CRN-P6H

Model No. •	Application	Width	Depth	Lip+	Painted	Stainless	Overlay
CRN-P6H-10/10	10" x 10" Top	16"	13"	1"	2,419	2,453	2,503
CRN-P6H-12/12	12" x 12" Top	18"	15"	1"	2,426	2,464	2,520
CRN-P6H-15/12	15" x 12" Top	21"	15"	1"	2,436	2,480	2,546
CRN-P6H-18/12	18" X 12" Top	24"	15"	1"	2,447	2,497	2,572
CRN-P6H-21/12	21" x 12" Top	27"	15"	1"	2,457	2,514	2,598
CRN-P6H-24/12	24" x 12" Top	30"	15"	1"	2,467	2,530	2,624
CRN-P6H-26/12	26" x 12" Top	32"	15"	1"	2,474	2,541	2,641
CRN-P6H-26/14	26" x 14" Top	32"	17"	1"	2,474	2,541	2,641
CRN-P6H-27/12	27" x 12" Top	33"	15"	1"	2,477	2,547	2,650
CRN-P6H-30/12	30" x 12" Top	36"	15"	1"	2,488	2,563	2,676
CRN-P6H-33/12	33" x 12" Top	39"	15"	1"	2,498	2,580	2,701
CRN-P6H-34/12	34" x 12" Top	40"	15"	1"	2,501	2,585	2,710
CRN-P6H-36/12	36" x 12" Top	42"	15"	1"	2,508	2,596	2,727
CRN-P6H-39/12	39" x 12" Top	45"	15"	1"	2,518	2,613	2,753
CRN-P6H-42/12	42" x 12" Top	48"	15"	1"	2,529	2,629	2,779
CRN-P6H-45/12	45" x 12" Top	51"	15"	1"	2,539	2,646	2,805
CRN-P6H-48/12	48" x 12" Top	54"	15"	1"	2,549	2,663	2,831
CRN-P6H-54/12	54" x 12" Top	60"	15"	1"	2,570	2,696	2,883
CRN-P6H-60/12	60" x 12" Top	66"	15"	1"	2,590	2,729	2,935
CRN-P6H-66/12	66" x 12" Top	72"	15"	1"	2,611	2,762	2,987

• HOOD VERSION MODEL LISTED. USE CRN-P6D MODEL NUMBER PREFIX FOR USE ON A DUCT COVER.
+LIP HEIGHT APPLIES TO TOP LIP AND BOTTOM LIP.

WALL MOUNT CROWNS

CAN BE PLACED ON TOP OF A WALL MOUNT HOOD OR DUCT COVER



CRN-S6H

Model No. •	Application	Width	Depth	Painted	Stainless	Overlay
CRN-S6H-10/10	10" x 10" Top	16"	13"	1,000	1,034	1,084
CRN-S6H-12/12	12" x 12" Top	18"	15"	1,007	1,045	1,101
CRN-S6H-15/12	15" x 12" Top	21"	15"	1,017	1,061	1,127
CRN-S6H-18/12	18" X 12" Top	24"	15"	1,028	1,078	1,153
CRN-S6H-21/12	21" x 12" Top	27"	15"	1,038	1,095	1,179
CRN-S6H-24/12	24" x 12" Top	30"	15"	1,048	1,111	1,205
CRN-S6H-26/12	26" x 12" Top	32"	15"	1,055	1,122	1,222
CRN-S6H-26/14	26" x 14" Top	32"	17"	1,055	1,122	1,222
CRN-S6H-27/12	27" x 12" Top	33"	15"	1,058	1,128	1,231
CRN-S6H-30/12	30" x 12" Top	36"	15"	1,069	1,144	1,257
CRN-S6H-33/12	33" x 12" Top	39"	15"	1,079	1,161	1,282
CRN-S6H-34/12	34" x 12" Top	40"	15"	1,082	1,166	1,291
CRN-S6H-36/12	36" x 12" Top	42"	15"	1,089	1,177	1,308
CRN-S6H-39/12	39" x 12" Top	45"	15"	1,099	1,194	1,334
CRN-S6H-42/12	42" x 12" Top	48"	15"	1,110	1,210	1,360
CRN-S6H-45/12	45" x 12" Top	51"	15"	1,120	1,227	1,386
CRN-S6H-48/12	48" x 12" Top	54"	15"	1,130	1,244	1,412
CRN-S6H-54/12	54" x 12" Top	60"	15"	1,151	1,277	1,464
CRN-S6H-60/12	60" x 12" Top	66"	15"	1,171	1,310	1,516
CRN-S6H-66/12	66" x 12" Top	72"	15"	1,192	1,343	1,568

• HOOD VERSION MODEL LISTED. USE CRN-S6D MODEL NUMBER PREFIX FOR USE ON A DUCT COVER.

CRN-S4H

Model No. •	Application	Width	Depth	Painted	Stainless	Overlay
CRN-S4H-10/10	10" x 10" Top	14"	12"	977	997	1,026
CRN-S4H-12/12	12" x 12" Top	16"	14"	982	1,004	1,038
CRN-S4H-15/12	15" x 12" Top	19"	14"	989	1,015	1,055
CRN-S4H-18/12	18" X 12" Top	22"	14"	996	1,026	1,072
CRN-S4H-21/12	21" x 12" Top	25"	14"	1,003	1,038	1,090
CRN-S4H-24/12	24" x 12" Top	28"	14"	1,009	1,049	1,107
CRN-S4H-26/12	26" x 12" Top	30"	14"	1,014	1,056	1,118
CRN-S4H-26/14	26" x 14" Top	30"	16"	1,014	1,056	1,118
CRN-S4H-27/12	27" x 12" Top	31"	14"	1,016	1,060	1,124
CRN-S4H-30/12	30" x 12" Top	34"	14"	1,023	1,071	1,141
CRN-S4H-33/12	33" x 12" Top	37"	14"	1,030	1,082	1,159
CRN-S4H-34/12	34" x 12" Top	38"	14"	1,032	1,085	1,164
CRN-S4H-36/12	36" x 12" Top	40"	14"	1,037	1,093	1,176
CRN-S4H-39/12	39" x 12" Top	43"	14"	1,044	1,104	1,193
CRN-S4H-42/12	42" x 12" Top	46"	14"	1,050	1,115	1,210
CRN-S4H-45/12	45" x 12" Top	49"	14"	1,057	1,126	1,228
CRN-S4H-48/12	48" x 12" Top	52"	14"	1,064	1,137	1,245
CRN-S4H-54/12	54" x 12" Top	58"	14"	1,078	1,159	1,280
CRN-S4H-60/12	60" x 12" Top	64"	14"	1,091	1,181	1,314
CRN-S4H-66/12	66" x 12" Top	70"	14"	1,105	1,203	1,349

• HOOD VERSION MODEL LISTED. USE CRN-S4D MODEL NUMBER PREFIX FOR USE ON A DUCT COVER.

CRN-S3H

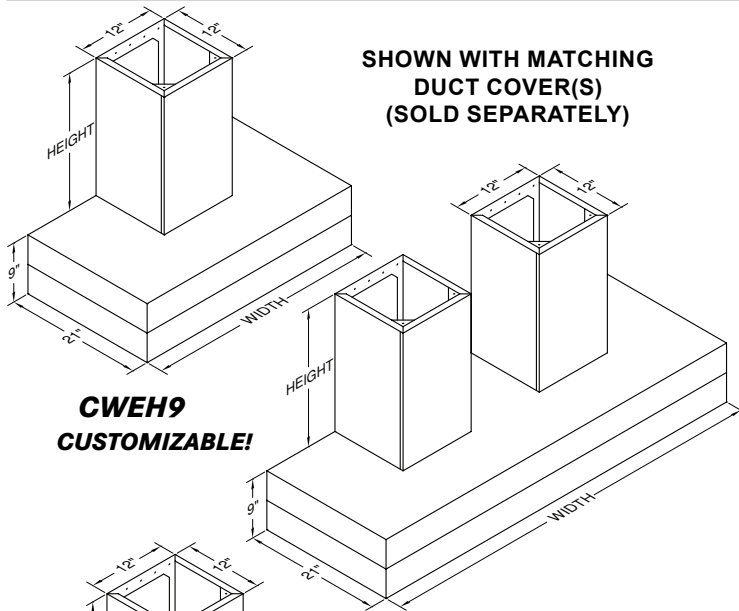
Model No. •	Application	Width	Depth	Painted	Stainless	Overlay
CRN-S3H-10/10	10" x 10" Top	13"	11 1/2"	968	981	1,002
CRN-S3H-12/12	12" x 12" Top	15"	13 1/2"	971	987	1,010
CRN-S3H-15/12	15" x 12" Top	18"	13 1/2"	976	995	1,023
CRN-S3H-18/12	18" X 12" Top	21"	13 1/2"	981	1,003	1,036
CRN-S3H-21/12	21" x 12" Top	24"	13 1/2"	987	1,012	1,049
CRN-S3H-24/12	24" x 12" Top	27"	13 1/2"	992	1,020	1,062
CRN-S3H-26/12	26" x 12" Top	29"	13 1/2"	995	1,026	1,071
CRN-S3H-26/14	26" x 14" Top	29"	15 1/2"	995	1,026	1,071
CRN-S3H-27/12	27" x 12" Top	30"	13 1/2"	997	1,028	1,075
CRN-S3H-30/12	30" x 12" Top	33"	13 1/2"	1,002	1,037	1,088
CRN-S3H-33/12	33" x 12" Top	36"	13 1/2"	1,007	1,045	1,101
CRN-S3H-34/12	34" x 12" Top	37"	13 1/2"	1,009	1,048	1,105
CRN-S3H-36/12	36" x 12" Top	39"	13 1/2"	1,012	1,053	1,114
CRN-S3H-39/12	39" x 12" Top	42"	13 1/2"	1,017	1,061	1,127
CRN-S3H-42/12	42" x 12" Top	45"	13 1/2"	1,022	1,070	1,140
CRN-S3H-45/12	45" x 12" Top	48"	13 1/2"	1,028	1,078	1,153
CRN-S3H-48/12	48" x 12" Top	51"	13 1/2"	1,033	1,086	1,166
CRN-S3H-54/12	54" x 12" Top	57"	13 1/2"	1,043	1,103	1,192
CRN-S3H-60/12	60" x 12" Top	63"	13 1/2"	1,053	1,119	1,218
CRN-S3H-66/12	66" x 12" Top	69"	13 1/2"	1,063	1,136	1,244

• HOOD VERSION MODEL LISTED. USE CRN-S3D MODEL NUMBER PREFIX FOR USE ON A DUCT COVER.

CONTEMPORARY WALL MOUNT

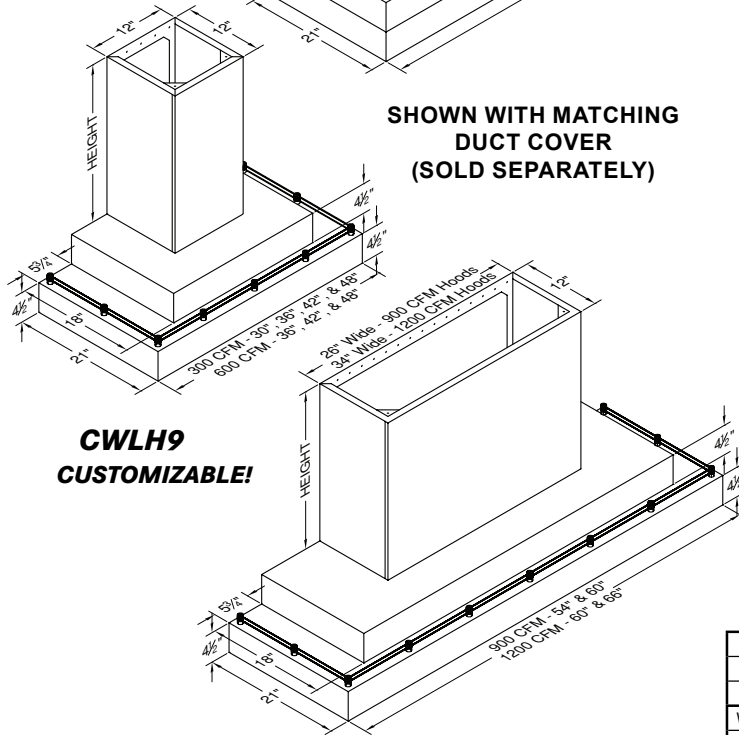
REC. MOUNTING HEIGHT FROM COOKING SURFACE: 27"

900 CFM CWLH9 OPTIONAL TRANSITION TO 10" ROUND: VP562
1200 CFM CWLH9 OPTIONAL TRANSITION TO 12" ROUND: VP563



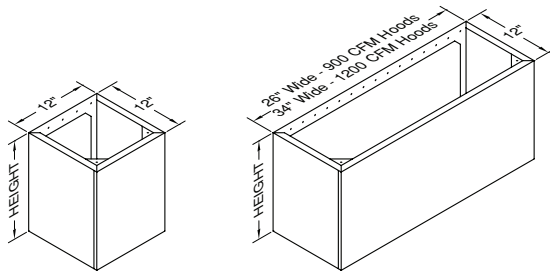
SHOWN WITH MATCHING DUCT COVER(S) (SOLD SEPARATELY)

CWEH9
CUSTOMIZABLE!



SHOWN WITH MATCHING DUCT COVER (SOLD SEPARATELY)

CWLH9
CUSTOMIZABLE!



CWEH9					
Model No.	CFM	Width	Painted	Stainless	# Lts
CWEH9-130	300	30"	1,940	2,699	2
CWEH9-136		36"	1,969	2,741	2
CWEH9-142		42"	2,214	2,973	3
CWEH9-148		48"	2,331	3,091	3
CWEH9-230	600	30"	2,367	3,166	2
CWEH9-236		36"	2,397	3,208	2
CWEH9-242		42"	2,642	3,440	3
CWEH9-248		48"	2,747	3,559	3
CWEH9-254	900	54"	3,271	4,283	4
CWEH9-342		42"	3,221	4,129	3
CWEH9-348		48"	3,602	4,234	3
CWEH9-354		54"	3,866	5,004	4
CWEH9-360	1200	60"	4,034	5,263	4
CWEH9-448		48"	4,030	4,704	3
CWEH9-454		54"	4,293	5,472	4
CWEH9-460		60"	4,460	5,733	4
CWEH9-466		66"	4,673	5,991	4

CWLH9						
Model No.	CFM	Width	Painted	Stainless	# Lts	
CWLH9-130	300	30"	1,969	2,733	2	
CWLH9-136		36"	1,984	2,748	2	
CWLH9-142		42"	2,284	3,062	3	
CWLH9-148		48"	2,391	3,186	3	
CWLH9-236	600	36"	2,428	3,235	2	
CWLH9-242		42"	2,728	3,548	3	
CWLH9-248		48"	2,834	3,671	3	
CWLH9-354		900	54"	4,004	5,179	4
CWLH9-360	60"		4,190	5,444	4	
CWLH9-460	1200		60"	4,633	5,929	4
CWLH9-466			66"	4,756	6,100	4

WDCRND FOR CWEH9/CWLH9

Model No.	Width	Height	Painted	Stainless	Ceiling
WDCRND-12/12	12"	12"	511	553	7'
WDCRND-12/24		24"	583	680	8'
WDCRND-12/36		36"	666	792	9'
WSDCRND-26/12	26"	12"	657	749	7'
WSDCRND-26/24		24"	825	1,037	8'
WSDCRND-26/36		36"	1,008	1,312	9'
WDCRND-34/12	34"	12"	653	779	7'
WDCRND-34/24		24"	878	1,120	8'
WDCRND-34/36		36"	1,090	1,473	9'
CUSTOM	WIDTH X HEIGHT X PLUS		0.57	0.92	
FINISHED TOP	WIDTH X DEPTH X PLUS		0.57	0.92	
SLOPED TOP*	ADD			473	

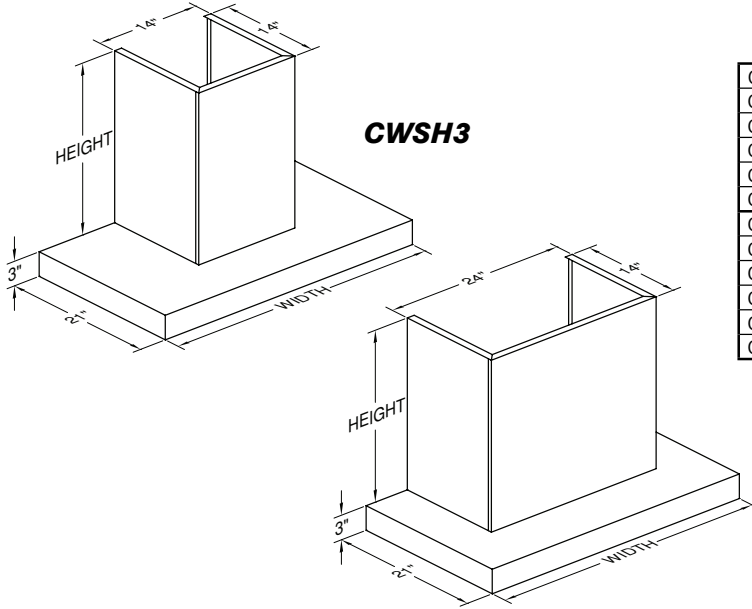
26" AND 34" DUCT COVERS FOR USE ON MATCHING CWLH9 MODELS. CEILING BASED ON REC. MAXIMUM HOOD MOUNTING HEIGHT. *SPECIFY FRONT TO BACK OR LEFT TO RIGHT DIMENSIONS.

CWEH9/CWLH9 VARIATIONS

WIDTHS OVER 66"	PAINTED	STAINLESS	SPECIAL WIDTH (LESS THAN 66")
FOR EACH 6" INCREMENT PLUS	214	307	USE NEXT LARGEST SIZE ON PRICE LIST, PLUS
		276	REMOVE GALLEY RAIL (CWLH9 ONLY) TO REMOVE RAIL, NO CHARGE

CONTEMPORARY WALL MOUNT

REC. MOUNTING HEIGHT FROM
COOKING SURFACE: 24"

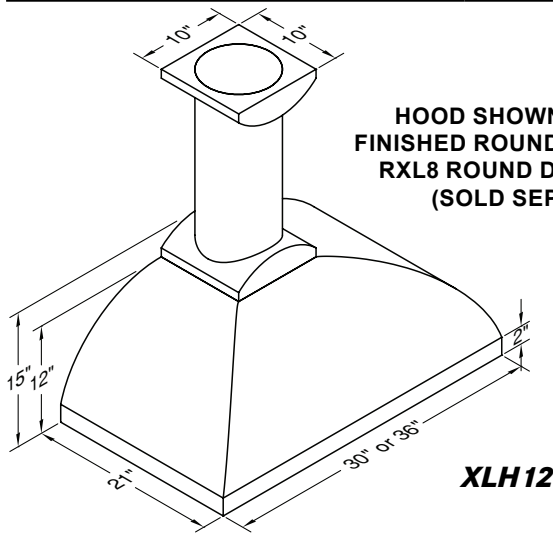


CWSH3

Model No.	CFM	Width	Stainless	# Lts	Ceiling
CWSH3-1/030-21	300	30"	3,383	2	7'
CWSH3-1/030-33		30"	3,522	2	8'
CWSH3-1/036-21		36"	3,383	2	7'
CWSH3-1/036-33		36"	3,522	2	8'
CWSH3-1/042-21		42"	3,648	3	7'
CWSH3-1/042-33		42"	3,786	3	8'
CWSH3-2/030-21	600	30"	4,536	2	7'
CWSH3-2/030-33		30"	4,784	2	8'
CWSH3-2/036-21		36"	4,536	2	7'
CWSH3-2/036-33		36"	4,784	2	8'
CWSH3-2/042-21		42"	4,797	3	7'
CWSH3-2/042-33		42"	5,048	3	8'

CONTEMPORARY WALL MOUNT

REC. MOUNTING HEIGHT FROM COOKING SURFACE: 24"



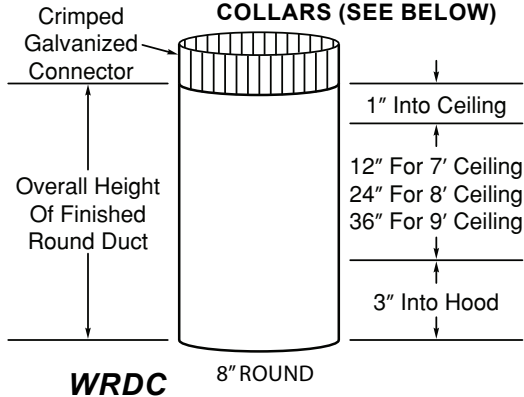
HOOD SHOWN WITH WRDC FINISHED ROUND DUCT AND TWO RXL8 ROUND DUCT COLLARS (SOLD SEPARATELY)

XLH12

XLH12

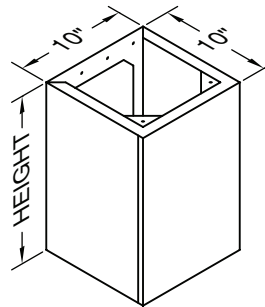
Model No.	CFM	Width	Stainless	# Lts
BRASS LIP				
XLH12-230B	600	30"	2,737	2
XLH12-236B		36"	2,770	2
COPPER LIP				
XLH12-230C	600	30"	2,737	2
XLH12-236C		36"	2,770	2
MIRROR STAINLESS STEEL LIP				
XLH12-230M	600	30"	2,737	2
XLH12-236M		36"	2,770	2
STAINLESS STEEL LIP				
XLH12-230S	600	30"	2,737	2
XLH12-236S		36"	2,770	2

FINISHED ROUND DUCT REQUIRES TWO DUCT COLLARS (SEE BELOW)



WRDC

8" ROUND

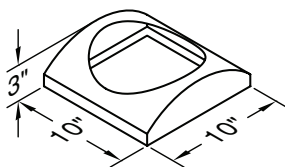


WDCRND

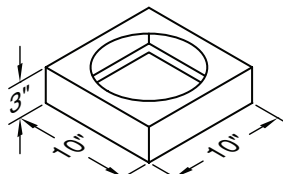
DUCT COVERS FOR XLH12

Model No.	Width	Height	Stainless	Ceiling
WDCRND-10/12	10"	12"	499	7'
WDCRND-10/24		24"	594	8'
WDCRND-10/36		36"	724	9'
WRDC-8/16	8"	16"	382	7'
WRDC-8/28		28"	473	8'
WRDC-8/40		40"	550	9'
CUSTOM	WIDTH X HEIGHT X PLUS		0.92	
	PLUS		473	
FINISHED TOP	WIDTH X DEPTH X PLUS		0.92	
	PLUS		276	
SLOPED TOP*	ADD		473	

WRDC EXTENDS 3" INTO TOP OF HOOD AND 1" INTO CEILING. CEILING BASED ON REC. MAXIMUM HOOD MOUNTING HEIGHT. *SPECIFY FRONT TO BACK OR LEFT TO RIGHT DIMENSIONS.



RXL8



SXL8

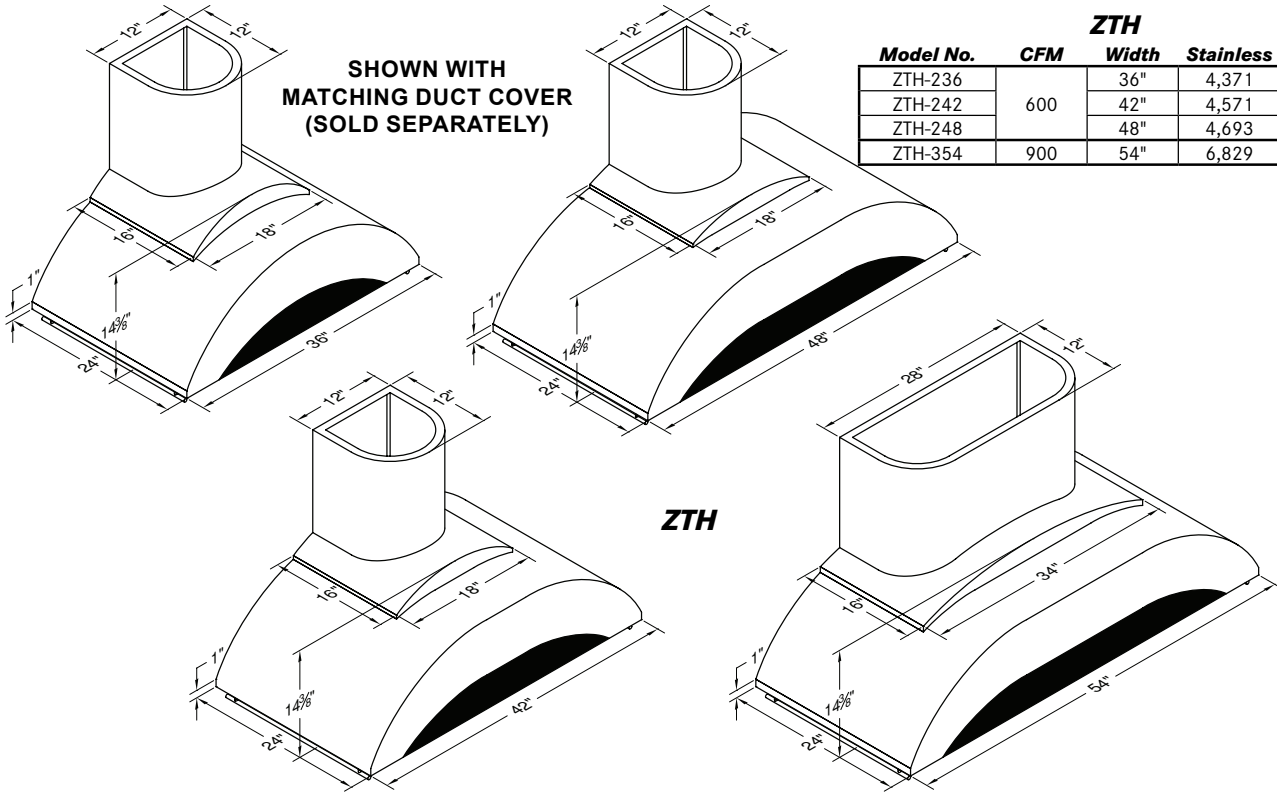
WRDC COLLARS

Model No.	Width	Height	Stainless
RXL8	10"	3"	274
SXL8	10"	3"	169

CONTEMPORARY WALL MOUNT

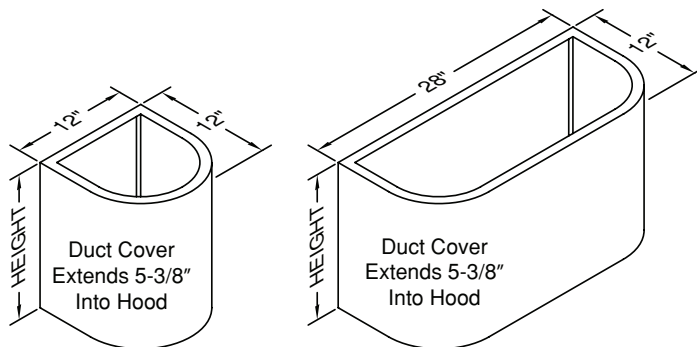
REC. MOUNTING HEIGHT FROM COOKING SURFACE: 30"

900 CFM OPTIONAL TRANSITION TO 10" ROUND: VP562



ZTH				
Model No.	CFM	Width	Stainless	# Lts
ZTH-236	600	36"	4,371	4
ZTH-242		42"	4,571	4
ZTH-248		48"	4,693	4
ZTH-354	900	54"	6,829	4

ZTH VARIATIONS	
REMOVE FIXED LENGTH SS RAIL	
ADD	276

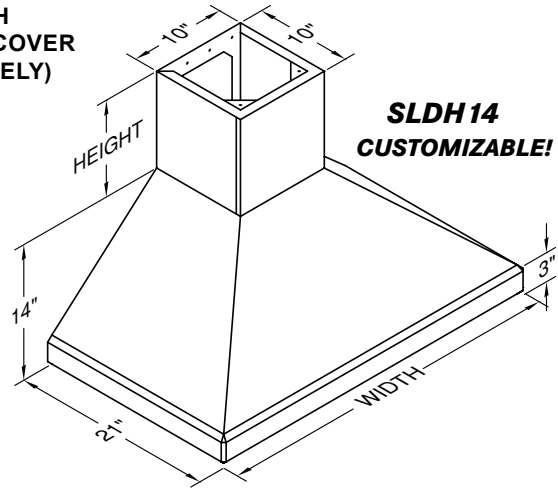
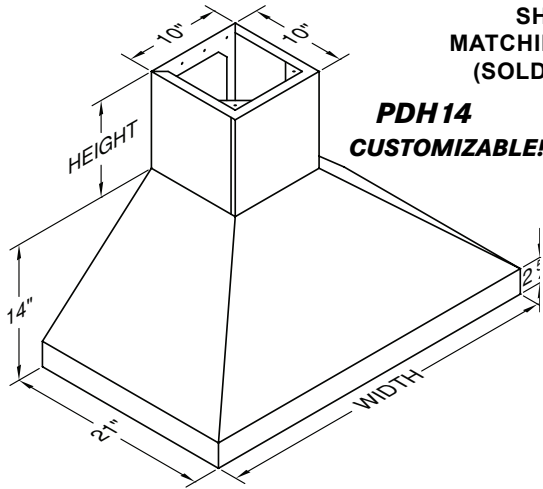


DUCT COVERS FOR ZTH				
Model No.	Width	Height	Stainless	Ceiling
WZDC-12/9	12"	9"	550	7'
WZDC-12/21		21"	672	8'
WZDC-12/33		33"	809	9'
WZDC-28/9	28"	9"	672	7'
WZDC-28/21		21"	978	8'
WZDC-28/33		33"	1,267	9'
CUSTOM	WIDTH X HEIGHT X		0.92	
	PLUS		473	

CEILING BASED ON REC. MAXIMUM HOOD MOUNTING HEIGHT.

EURO-STYLE WALL MOUNT

REC. MOUNTING HEIGHT FROM COOKING SURFACE: 24"



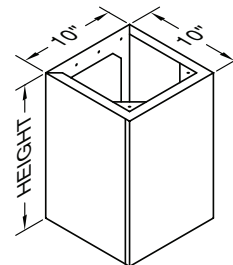
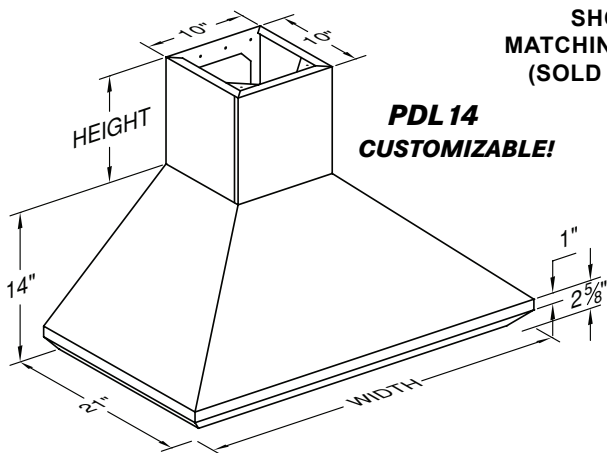
PDH 14

Model No.	CFM	Width	Painted	Stainless	Overlay*	# Lts
PDH14-130	300	30"	1,830	2,533	3,748	2
PDH14-136		36"	1,871	2,576	3,908	2
PDH14-142		42"	2,081	2,786	4,290	3
PDH14-148		48"	2,167	2,886	4,506	3
PDH14-236	600	36"	2,297	3,042	4,333	2
PDH14-242		42"	2,507	3,251	4,715	3
PDH14-248		48"	2,592	3,353	4,932	3

SLDH 14

Model No.	CFM	Width	Painted	Stainless	# Lts
SLDH14-130	300	30"	2,304	3,026	2
SLDH14-136		36"	2,349	3,070	2
SLDH14-142		42"	2,635	3,387	3
SLDH14-148		48"	2,739	3,507	3
SLDH14-236	600	36"	2,775	3,537	2
SLDH14-242		42"	3,061	3,856	3
SLDH14-248		48"	3,163	3,973	3

* FOR OVERLAY MODELS, SPECIFY INTERIOR COLOR.



PDL 14

Model No.	CFM	Width	Painted	Stainless	Overlay*	# Lts
PDL14-130	300	30"	1,830	2,533	3,748	2
PDL14-136		36"	1,871	2,576	3,908	2
PDL14-142		42"	2,081	2,786	4,290	3
PDL14-148		48"	2,167	2,886	4,506	3
PDL14-236	600	36"	2,297	3,042	4,333	2
PDL14-242		42"	2,507	3,251	4,715	3
PDL14-248		48"	2,592	3,353	4,932	3

* FOR OVERLAY MODELS, SPECIFY INTERIOR COLOR.

14" TALL EURO-STYLE WALL MOUNT DUCT COVERS

Model No.	Width	Height	Painted	Stainless	Overlay	Ceiling
WDCRND-10/10	10"	10"	459	499	539	7'
WDCRND-10/22		22"	526	594	689	8'
WDCRND-10/34		34"	594	689	836	9'
CUSTOM	WIDTH X HEIGHT X		0.57	0.92	1.44	
	PLUS			473		
FINISHED TOP	WIDTH X DEPTH X		0.57	0.92	1.44	
	PLUS			276		
SLOPED TOP*		ADD		473		

CEILING BASED ON REC. MAXIMUM HOOD MOUNTING HEIGHT.
* SPECIFY FRONT TO BACK OR LEFT TO RIGHT DIMENSIONS.

14" TALL WALL EURO-STYLE MOUNT HOOD VARIATIONS

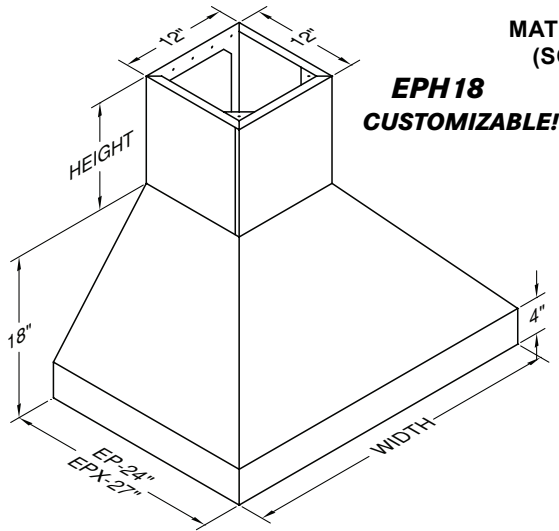
SPECIAL WIDTH (LESS THAN 48") USE NEXT LARGEST SIZE ON PRICE LIST, PLUS				276
DEPTH OVER 21"				
WIDTH X EXTRA DEPTH X PLUS	PAINTED	STAINLESS	OVERLAY	
	1.37	2.01	2.73	473
	STAINLESS STEEL INTERIOR ON OVERLAY HOOD SUBTRACT PAINTED HOOD PRICE FROM STAINLESS HOOD PRICE			
	CUSTOM COLOR (SEE CUSTOM COLOR CHART) ADD			
	863			
	TRIM OPTIONS SEE PAGES 56-57 FOR FINISH AND TRIM OPTIONS			

EURO-STYLE WALL MOUNT

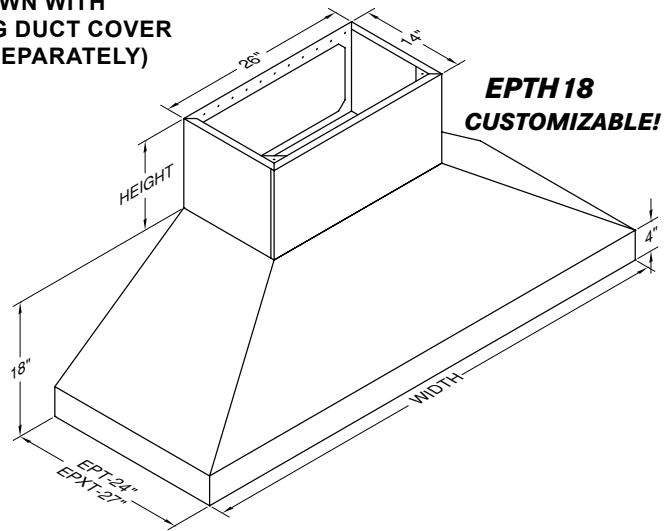
REC. MOUNTING HEIGHT FROM COOKING SURFACE: 30"

900 CFM EPTH18 & NEPTH18 MODELS: VP562 TRANSITION INCLUDED
1200 CFM EPTH18 & NEPTH18 MODELS: VP563 TRANSITION INCLUDED

SHOWN WITH MATCHING DUCT COVER (SOLD SEPARATELY)



EPH18
CUSTOMIZABLE!



EPTH18
CUSTOMIZABLE!

EPH18/EPXH18

EPTH18/EPTX18

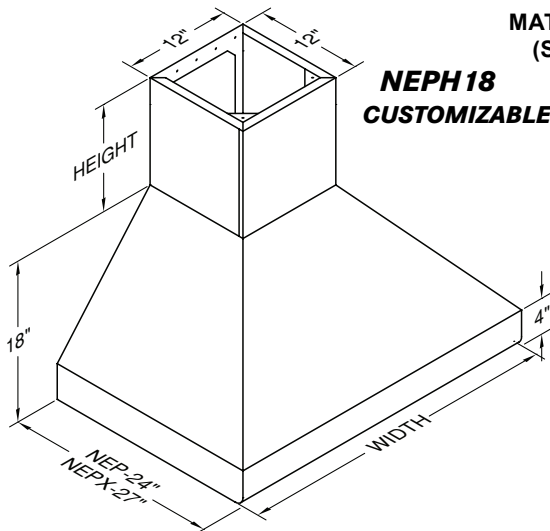
Model No.	CFM	Width	Painted	Stainless	Overlay*	# Lts
EPH18-236	600	36"	2,819	3,565	4,959	2
EPH18-242		42"	3,014	3,770	5,297	3
EPH18-248		48"	3,208	3,990	5,718	3

Model No.	CFM	Width	Painted	Stainless	Overlay*	# Lts	Incl.
EPTH18-342	900	42"	4,339	5,184	6,745	3	VP562
EPTH18-348		48"	4,445	5,290	6,971	3	VP562
EPTH18-354		54"	4,873	6,067	7,672	4	VP562
EPTH18-360		60"	5,067	6,340	8,035	4	VP562
EPTH18-366	1200	66"	5,246	6,625	8,398	4	VP562
EPTH18-454		54"	5,297	6,532	8,098	4	VP563
EPTH18-460		60"	5,493	6,805	8,461	4	VP563
EPTH18-466		66"	5,673	7,092	8,823	4	VP563

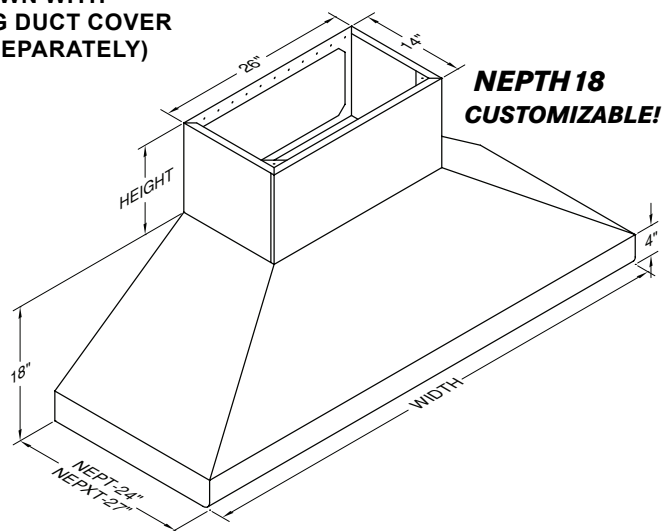
USE EPXH18 MODEL NUMBER PREFIX FOR 27" DEPTH PROJECTION.
• FOR OVERLAY MODELS, SPECIFY INTERIOR COLOR.

USE EPTX18 MODEL NUMBER PREFIX FOR 27" DEPTH PROJECTION.
• FOR OVERLAY MODELS, SPECIFY INTERIOR COLOR.

SHOWN WITH MATCHING DUCT COVER (SOLD SEPARATELY)



NEPH18
CUSTOMIZABLE!



NEPTH18
CUSTOMIZABLE!

NEPH18/NEPXH18

NEPTH18/NEPTX18

Model No.	CFM	Width	Painted	Stainless	Overlay*	# Lts
NEPH18-236	600	36"	3,360	4,073	5,005	2
NEPH18-242		42"	3,482	4,315	6,122	3
NEPH18-248		48"	3,692	4,488	6,201	3

Model No.	CFM	Width	Painted	Stainless	Overlay*	# Lts	Incl.
NEPTH18-342	900	42"	4,819	5,827	7,330	3	VP562
NEPTH18-348		48"	4,930	5,938	7,564	3	VP562
NEPTH18-354		54"	5,375	6,621	8,296	4	VP562
NEPTH18-360		60"	5,564	6,904	8,674	4	VP562
NEPTH18-366	1200	66"	5,768	7,190	9,053	4	VP562
NEPTH18-454		54"	5,819	7,107	8,739	4	VP563
NEPTH18-460		60"	6,007	7,391	9,117	4	VP563
NEPTH18-466		66"	6,210	7,675	9,495	4	VP563

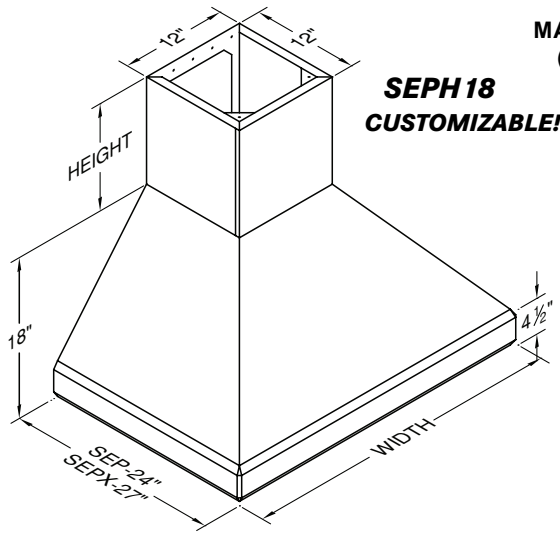
USE NEPXH18 MODEL NUMBER PREFIX FOR 27" DEPTH PROJECTION.
• FOR OVERLAY MODELS, SPECIFY INTERIOR COLOR.

USE NEPTX18 MODEL NUMBER PREFIX FOR 27" DEPTH PROJECTION.
• FOR OVERLAY MODELS, SPECIFY INTERIOR COLOR.

EURO-STYLE WALL MOUNT

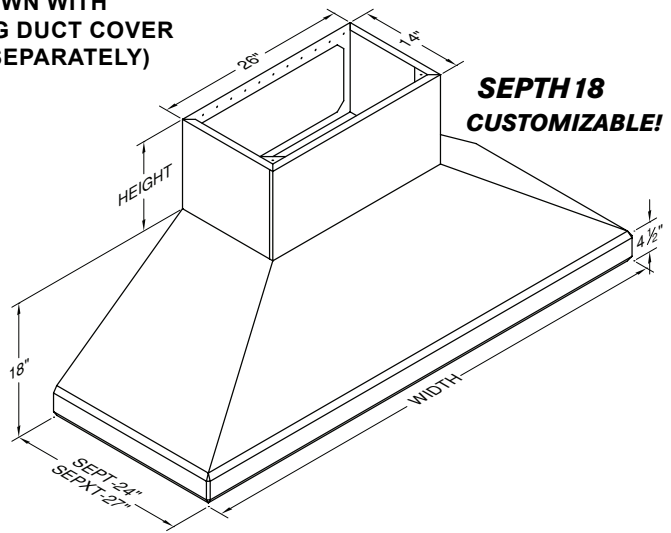
REC. MOUNTING HEIGHT FROM COOKING SURFACE: 30"

900 CFM SEPTH18 MODELS: VP562 TRANSITION INCLUDED
1200 CFM SEPTH18 MODELS: VP563 TRANSITION INCLUDED



SEPH18
CUSTOMIZABLE!

SHOWN WITH MATCHING DUCT COVER (SOLD SEPARATELY)



SEPTH18
CUSTOMIZABLE!

SEPH18/SEPHX18

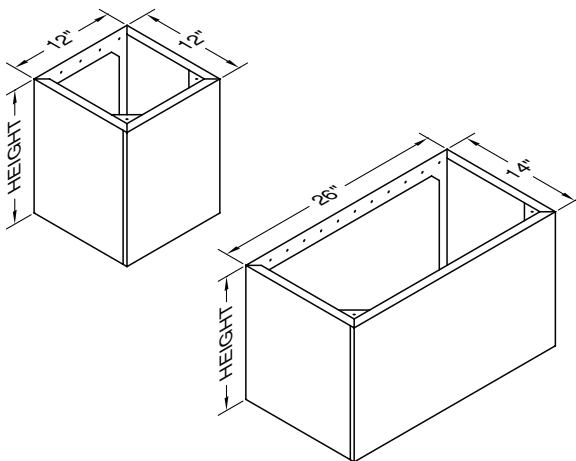
Model No.	CFM	Width	Painted	Stainless	# Lts
SEPH18-236	600	36"	3,354	3,989	2
SEPH18-242		42"	3,565	4,200	3
SEPH18-248		48"	3,669	4,301	3

USE SEPHX18 MODEL NUMBER PREFIX FOR 27" DEPTH PROJECTION.

SEPTH18/SEPTX18

Model No.	CFM	Width	Painted	Stainless	# Lts	Incl.
SEPTH18-342	900	42"	4,878	6,110	3	VP562
SEPTH18-348		48"	5,291	6,232	3	VP562
SEPTH18-354		54"	5,693	6,879	4	VP562
SEPTH18-360		60"	5,891	7,153	4	VP562
SEPTH18-366		66"	6,075	7,445	4	VP562
SEPTH18-454		1200	54"	6,119	7,346	4
SEPTH18-460	60"		6,316	7,620	4	VP563
SEPTH18-466	66"		6,500	7,911	4	VP563

USE SEPTX18 MODEL NUMBER PREFIX FOR 27" DEPTH PROJECTION.



18\"/>

Model No.	Width	Height	Painted	Stainless	Overlay	Ceiling
WDCRND-12/12	12"	12"	511	553	624	8'
WDCRND-12/24		24"	583	680	809	9'
WDCRND-12/36		36"	666	792	1,004	10'
WDCRND-26/12	26"	12"	596	696	850	8'
WDCRND-26/24		24"	766	962	1,259	9'
WDCRND-26/36		36"	935	1,217	1,672	10'
CUSTOM	WIDTH X HEIGHT X PLUS		0.57	0.92	1.44	
FINISHED TOP	WIDTH X DEPTH X PLUS		0.57	0.92	1.44	
SLOPED TOP*	ADD				473	

CEILING BASED ON REC. MAXIMUM HOOD MOUNTING HEIGHT.
* SPECIFY FRONT TO BACK OR LEFT TO RIGHT DIMENSIONS.

18" TALL WALL EURO-STYLE MOUNT HOOD VARIATIONS

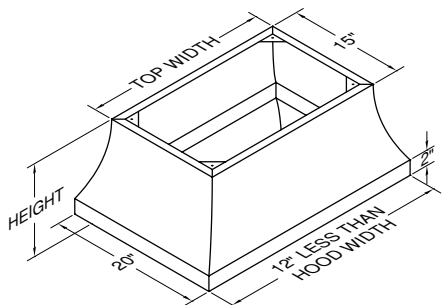
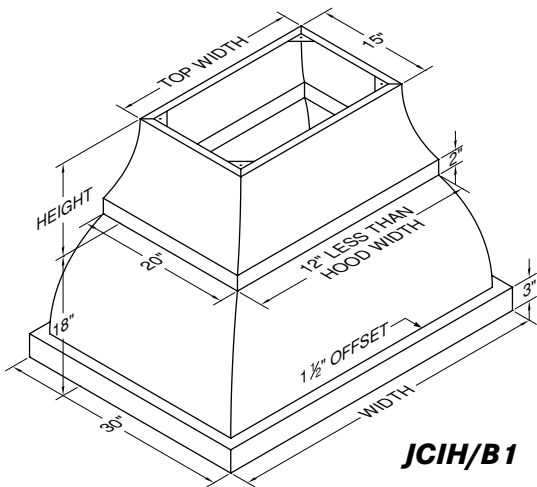
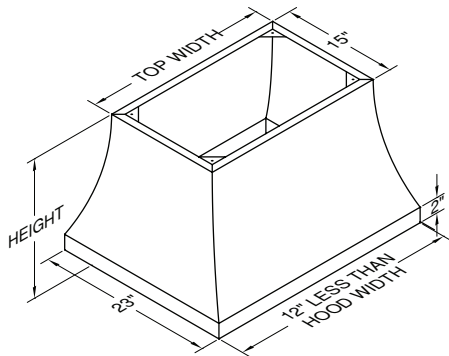
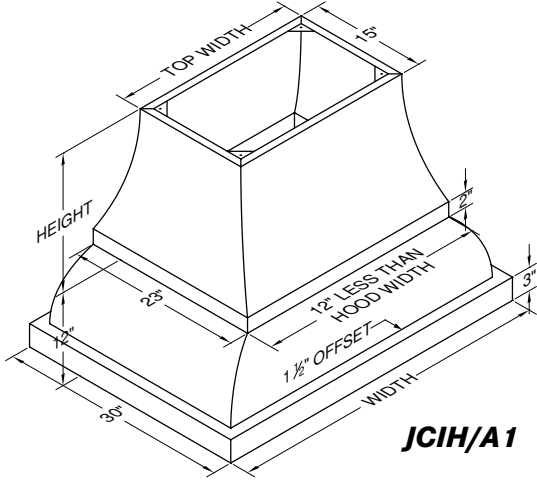
WIDTHS OVER 48"/66"	PAINTED	STAINLESS	OVERLAY	SPECIAL WIDTH (LESS THAN 48"/66") USE NEXT LARGEST SIZE ON PRICE LIST, PLUS 276
FOR EACH 6" INCREMENT PLUS	214	307	381	
DEPTH OVER 24" (EXCLUDING 27")	PAINTED	STAINLESS	OVERLAY	STAINLESS STEEL INTERIOR ON OVERLAY HOOD SUBTRACT PAINTED HOOD PRICE FROM STAINLESS HOOD PRICE
WIDTH X EXTRA DEPTH X PLUS	1.37	2.01	2.73	CUSTOM COLOR (SEE CUSTOM COLOR CHART) ADD 863
				TRIM OPTIONS SEE PAGES 56-57 FOR FINISH AND TRIM OPTIONS

DESIGNER SERIES ISLAND

REC. MOUNTING HEIGHT FROM COOKING SURFACE: 30"

MODELS SHOWN WITH MATCHING DUCT COVER (SOLD SEPARATELY)

550 CFM MODELS: VP565 TRANSITION INCLUDED
1100 CFM MODELS: VP564 TRANSITION INCLUDED



JCIH/A1

Model No.	CFM	Width	Top W.	Painted	Stainless	Overlay*	# Lts
JCIH236/A1	550*	36"	24"	4,358	5,664	8,056	4
JCIH242/A1		42"	30"	4,505	5,938	8,362	4
JCIH248/A1		48"	36"	4,633	6,041	8,588	4
JCIH254/A1		54"	42"	5,025	6,546	9,328	4
JCIH448/A1	1100+	48"	36"	5,577	7,247	9,530	4
JCIH454/A1		54"	42"	5,967	7,754	10,270	4
JCIH460/A1		60"	48"	6,584	8,587	12,489	4
JCIH466/A1		66"	54"	6,797	8,864	12,908	4

*FOR OVERLAY HOODS, SPECIFY INTERIOR COLOR.
*VP565 TRANSITION TO 8" ROUND INCLUDED.
+VP564 TRANSITION TO 12" ROUND INCLUDED.

DUCT COVERS FOR JCIH/A1

Model No.	Width	Top W.	Height	Painted	Stainless	Overlay*	Ceiling
ICDC-24/15/18	24"	18"	18"	1,921	2,021	2,294	8'
ICDC-24/15/30		15"	30"	2,124	2,294	2,756	9'
ICDC-24/15/42		15"	42"	2,323	2,570	3,219	10'
ICDC-30/15/18	30"	24"	18"	1,992	2,136	2,468	8'
ICDC-30/15/30		18"	30"	2,252	2,468	3,047	9'
ICDC-30/15/42		18"	42"	2,510	2,814	3,622	10'
ICDC-36/15/18	36"	30"	18"	2,079	2,238	2,640	8'
ICDC-36/15/30		24"	30"	2,381	2,640	3,334	9'
ICDC-36/15/42		18"	42"	2,684	3,059	4,011	10'
ICDC-42/15/18	42"	36"	18"	2,151	2,338	2,814	8'
ICDC-42/15/30		30"	30"	2,510	2,814	3,622	9'
ICDC-42/15/42		24"	42"	2,856	3,290	4,417	10'
ICDC-48/15/18	48"	42"	18"	2,223	2,440	2,988	8'
ICDC-48/15/30		36"	30"	2,627	2,988	3,896	9'
ICDC-48/15/42		30"	42"	3,047	3,537	4,819	10'
ICDC-54/15/18	54"	48"	18"	2,294	2,540	3,160	8'
ICDC-54/15/30		42"	30"	2,756	3,160	4,186	9'
ICDC-54/15/42		36"	42"	3,219	3,780	5,210	10'

*TRIM REQUIRED ON MODELS EXCEEDING 35" WIDTH AND 30" HEIGHT.
CEILING BASED ON REC. MAXIMUM HOOD MOUNTING HEIGHT.

JCIH/B1

Model No.	CFM	Width	Top W.	Painted	Stainless	Overlay*	# Lts
JCIH236/B1	550*	36"	24"	4,358	5,664	8,056	4
JCIH242/B1		42"	30"	4,505	5,938	8,362	4
JCIH248/B1		48"	36"	4,633	6,041	8,588	4
JCIH254/B1		54"	42"	5,025	6,546	9,328	4
JCIH448/B1	1100+	48"	36"	5,577	7,247	9,530	4
JCIH454/B1		54"	42"	5,967	7,754	10,270	4
JCIH460/B1		60"	48"	6,584	8,587	12,489	4
JCIH466/B1		66"	54"	6,797	8,864	12,908	4

*FOR OVERLAY HOODS, SPECIFY INTERIOR COLOR.
*VP565 TRANSITION TO 8" ROUND INCLUDED.
+VP564 TRANSITION TO 12" ROUND INCLUDED.

DUCT COVERS FOR JCIH/B1

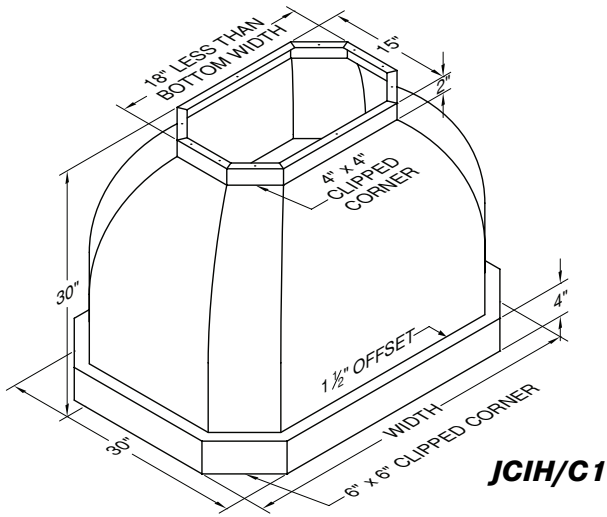
Model No.	Width	Top W.	Height	Painted	Stainless	Overlay*	Ceiling
ICDC-24/15/12	24"	18"	12"	1,921	2,021	2,294	8'
ICDC-24/15/24		18"	24"	2,124	2,294	2,756	9'
ICDC-24/15/36		15"	36"	2,323	2,570	3,219	10'
ICDC-30/15/12	30"	24"	12"	1,992	2,136	2,468	8'
ICDC-30/15/24		18"	24"	2,252	2,468	3,047	9'
ICDC-30/15/36		18"	36"	2,510	2,814	3,622	10'
ICDC-36/15/12	36"	30"	12"	2,079	2,238	2,640	8'
ICDC-36/15/24		24"	24"	2,381	2,640	3,334	9'
ICDC-36/15/36		18"	36"	2,684	3,059	4,011	10'
ICDC-42/15/12	42"	36"	12"	2,151	2,338	2,814	8'
ICDC-42/15/24		30"	24"	2,510	2,814	3,622	9'
ICDC-42/15/36		24"	36"	2,856	3,290	4,417	10'
ICDC-48/15/12	48"	42"	12"	2,223	2,440	2,988	8'
ICDC-48/15/24		36"	24"	2,627	2,988	3,896	9'
ICDC-48/15/36		30"	36"	3,047	3,537	4,819	10'
ICDC-54/15/12	54"	48"	12"	2,294	2,540	3,160	8'
ICDC-54/15/24		42"	24"	2,756	3,160	4,186	9'
ICDC-54/15/36		36"	36"	3,219	3,780	5,210	10'

*TRIM REQUIRED ON MODELS EXCEEDING 35" WIDTH AND 30" HEIGHT.
CEILING BASED ON REC. MAXIMUM HOOD MOUNTING HEIGHT.

DESIGNER SERIES ISLAND

REC. MOUNTING HEIGHT FROM COOKING SURFACE: 30"

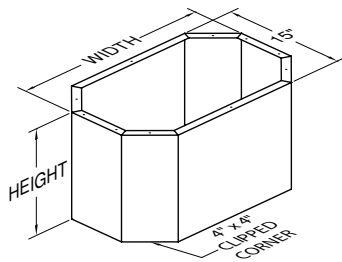
550 CFM MODELS: VP565 TRANSITION INCLUDED
1100 CFM MODELS: VP564 TRANSITION INCLUDED



JCIH/C1

Model No.	CFM	Width	Painted	Stainless	Overlay*	# Lts
JCIH236/C1	550*	36"	6,005	7,600	9,975	4
JCIH242/C1		42"	6,264	7,977	10,474	4
JCIH248/C1		48"	6,475	8,284	10,555	4
JCIH254/C1		54"	6,929	8,920	11,781	4
JCIH448/C1	1100+	48"	7,416	9,491	11,499	4
JCIH454/C1		54"	7,871	10,128	12,723	4
JCIH460/C1		60"	8,455	10,960	14,851	4
JCIH466/C1		66"	8,764	11,384	15,447	4

*FOR OVERLAY HOODS, SPECIFY INTERIOR COLOR.
*VP565 TRANSITION TO 8" ROUND INCLUDED.
+VP564 TRANSITION TO 12" ROUND INCLUDED.



DUCT COVERS FOR JCIH/C1

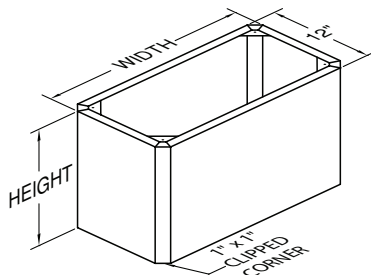
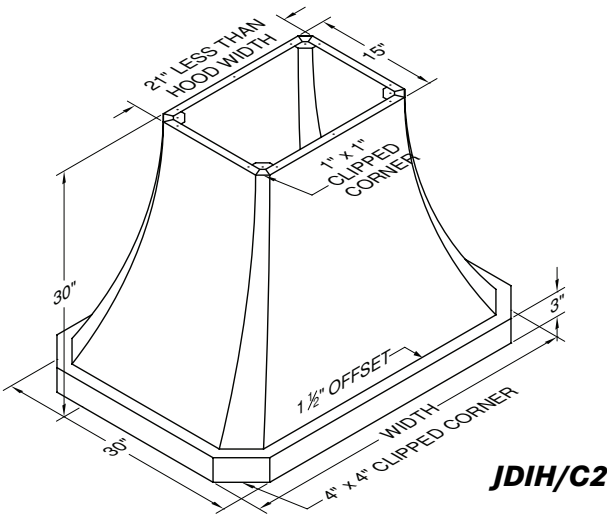
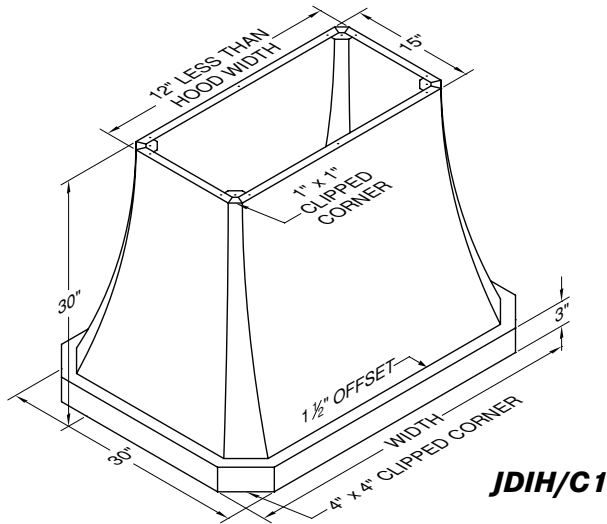
Model No.	Width	Height	Painted	Stainless	Overlay	Ceiling
IDCC4-18/12	18"	12"	1,443	1,502	1,630	9'
IDCC4-18/24		24"	1,603	1,705	1,977	10'
IDCC4-24/12	24"	12"	1,502	1,559	1,747	9'
IDCC4-24/24		24"	1,705	1,834	2,208	10'
IDCC4-30/12	30"	12"	1,544	1,630	1,862	9'
IDCC4-30/24		24"	1,804	1,977	2,440	10'
IDCC4-36/12	36"	12"	1,603	1,705	1,977	9'
IDCC4-36/24		24"	1,906	2,107	2,657	10'
IDCC4-42/12	42"	12"	1,646	1,776	2,092	9'
IDCC4-42/24		24"	2,007	2,252	2,887	10'
IDCC4-48/12	48"	12"	1,705	1,834	2,208	9'
IDCC4-48/24		24"	2,107	2,381	3,118	10'

CEILING BASED ON REC. MAXIMUM HOOD MOUNTING HEIGHT.

DESIGNER SERIES ISLAND

REC. MOUNTING HEIGHT FROM COOKING SURFACE: 30"

550 CFM MODELS: VP565 TRANSITION INCLUDED
1100 CFM MODELS: VP564 TRANSITION INCLUDED



JDIH/C1

Model No.	CFM	Width	Painted	Stainless	Overlay*	# Lts
JDIH236/C1	550*	36"	6,005	7,600	9,975	4
JDIH242/C1		42"	6,264	7,977	10,474	4
JDIH248/C1		48"	6,475	8,284	10,555	4
JDIH254/C1	1100+	54"	6,929	8,920	11,781	4
JDIH448/C1		48"	7,416	9,491	11,499	4
JDIH454/C1		54"	7,871	10,128	12,723	4
JDIH460/C1		60"	8,455	10,960	14,851	4
JDIH466/C1		66"	8,764	11,384	15,447	4

*FOR OVERLAY HOODS, SPECIFY INTERIOR COLOR.
*VP565 TRANSITION TO 8" ROUND INCLUDED.
+VP564 TRANSITION TO 12" ROUND INCLUDED.

JDIH/C2

Model No.	CFM	Width	Painted	Stainless	Overlay*	# Lts
JDIH236/C2	550*	36"	6,005	7,600	9,975	4
JDIH242/C2		42"	6,264	7,977	10,474	4
JDIH248/C2		48"	6,475	8,284	10,555	4
JDIH254/C2	1100+	54"	6,929	8,920	11,781	4
JDIH448/C2		48"	7,416	9,491	11,499	4
JDIH454/C2		54"	7,871	10,128	12,723	4
JDIH460/C2		60"	8,455	10,960	14,851	4
JDIH466/C2		66"	8,764	11,384	15,447	4

*FOR OVERLAY HOODS, SPECIFY INTERIOR COLOR.
*VP565 TRANSITION TO 8" ROUND INCLUDED.
+VP564 TRANSITION TO 12" ROUND INCLUDED.

DUCT COVERS FOR JDIH/C1 & JDIH/C2

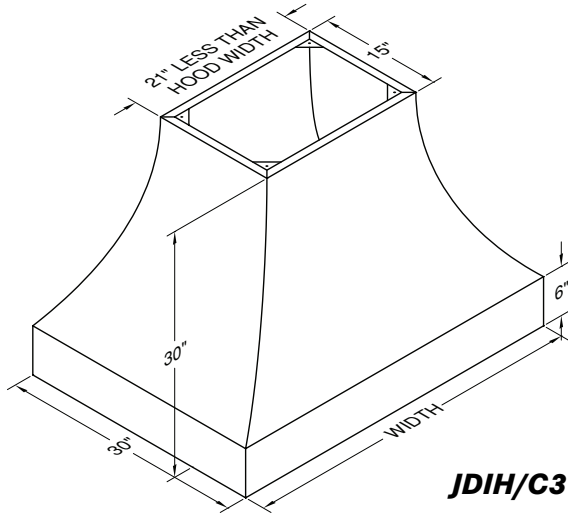
Model No.	Width	Height	Painted	Stainless	Overlay	Ceiling
IDCC1-15/12	15"	12"	1,415	1,458	1,574	9'
IDCC1-15/24		24"	1,544	1,630	1,862	10'
IDCC1-21/12	21"	12"	1,474	1,530	1,690	9'
IDCC1-21/24		24"	1,646	1,776	2,092	10'
IDCC1-24/12	24"	12"	1,502	1,559	1,747	9'
IDCC1-24/24		24"	1,705	1,834	2,208	10'
IDCC1-27/12	27"	12"	1,516	1,603	1,804	9'
IDCC1-27/24		24"	1,747	1,906	2,323	10'
IDCC1-30/12	30"	12"	1,544	1,630	1,862	9'
IDCC1-30/24		24"	1,804	1,977	2,440	10'
IDCC1-33/12	33"	12"	1,574	1,661	1,921	9'
IDCC1-33/24		24"	1,847	2,050	2,540	10'
IDCC1-36/12	36"	12"	1,603	1,705	1,977	9'
IDCC1-36/24		24"	1,906	2,107	2,657	10'
IDCC1-39/12	39"	12"	1,617	1,733	2,036	9'
IDCC1-39/24		24"	1,949	2,179	2,771	10'
IDCC1-42/12	42"	12"	1,646	1,776	2,092	9'
IDCC1-42/24		24"	2,007	2,252	2,887	10'
IDCC1-45/12	45"	12"	1,673	1,804	2,151	9'
IDCC1-45/24		24"	2,050	2,323	3,003	10'
IDCC1-48/12	48"	12"	1,705	1,834	2,208	9'
IDCC1-48/24		24"	2,107	2,381	3,118	10'
IDCC1-54/12	54"	12"	1,747	1,906	2,323	9'
IDCC1-54/24		24"	2,208	2,526	3,349	10'

*TRIM REQUIRED ON MODELS EXCEEDING 35" WIDTH AND 30" HEIGHT.
CEILING BASED ON REC. MAXIMUM HOOD MOUNTING HEIGHT.

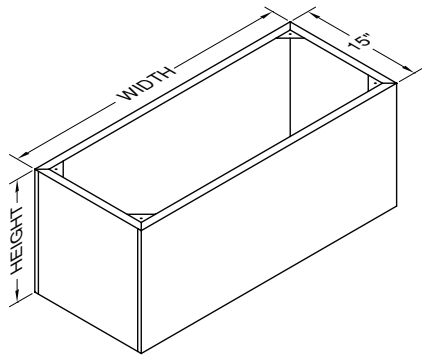
DESIGNER SERIES ISLAND

REC. MOUNTING HEIGHT FROM COOKING SURFACE: 30"

550 CFM MODELS: VP565 TRANSITION INCLUDED
1100 CFM MODELS: VP564 TRANSITION INCLUDED



JDIH/C3



JDIH/C3

Model No.	CFM	Width	Painted	Stainless	Overlay*	# Lts
JDIH236/C3	550*	36"	6,005	7,600	9,975	4
JDIH242/C3		42"	6,264	7,977	10,474	4
JDIH248/C3		48"	6,475	8,284	10,555	4
JDIH254/C3		54"	6,929	8,920	11,781	4
JDIH448/C3	1100+	48"	7,416	9,491	11,499	4
JDIH454/C3		54"	7,871	10,128	12,723	4
JDIH460/C3		60"	8,455	10,960	14,851	4
JDIH466/C3		66"	8,764	11,384	15,447	4

*FOR OVERLAY HOODS, SPECIFY INTERIOR COLOR.
*VP565 TRANSITION TO 8" ROUND INCLUDED.
+VP564 TRANSITION TO 12" ROUND INCLUDED.

IDCRND FOR JDIH/C3

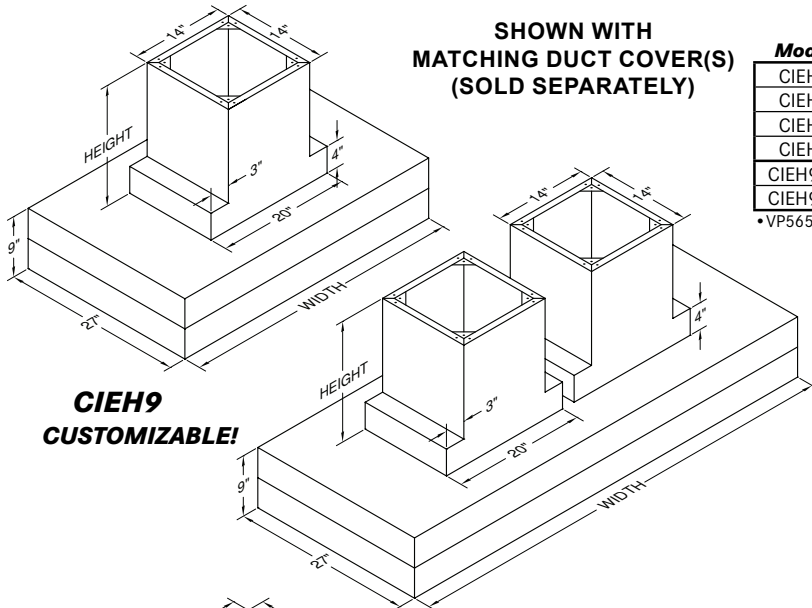
Model No.	Width	Height	Painted	Stainless	Overlay	Ceiling
IDCRND-15/12	15"	12"	563	607	723	8'
IDCRND-15/24		24"	693	781	1,011	9'
IDCRND-21/12	21"	12"	626	689	847	9'
IDCRND-21/24		24"	805	930	1,248	10
IDCRND-27/12	27"	12"	676	758	963	9'
IDCRND-27/24		24"	907	1,068	1,477	10
IDCRND-33/12	33"	12"	727	828	1,078	9'
IDCRND-33/24		24"	1,008	1,207	1,706	10
IDCRND-39/12	39"	12"	780	895	1,189	9'
IDCRND-39/24		24"	1,110	1,344	1,932	10
IDCRND-45/12	45"	12"	830	965	1,305	9'
IDCRND-45/24		24"	1,212	1,482	2,160	10
CUSTOM	WIDTH X HEIGHT X		0.76	1.02	1.69	
	PLUS					473
SLOPED TOP*	ADD					473

CEILING BASED ON REC. MAXIMUM HOOD MOUNTING HEIGHT.
*SPECIFY FRONT TO BACK OR LEFT TO RIGHT DIMENSIONS.

CONTEMPORARY ISLAND

REC. MOUNTING HEIGHT FROM COOKING SURFACE: 30"

550 CFM MODELS: VP565 TRANSITION INCLUDED
1100 CFM MODELS: TWO VP565 TRANSITIONS INCLUDED



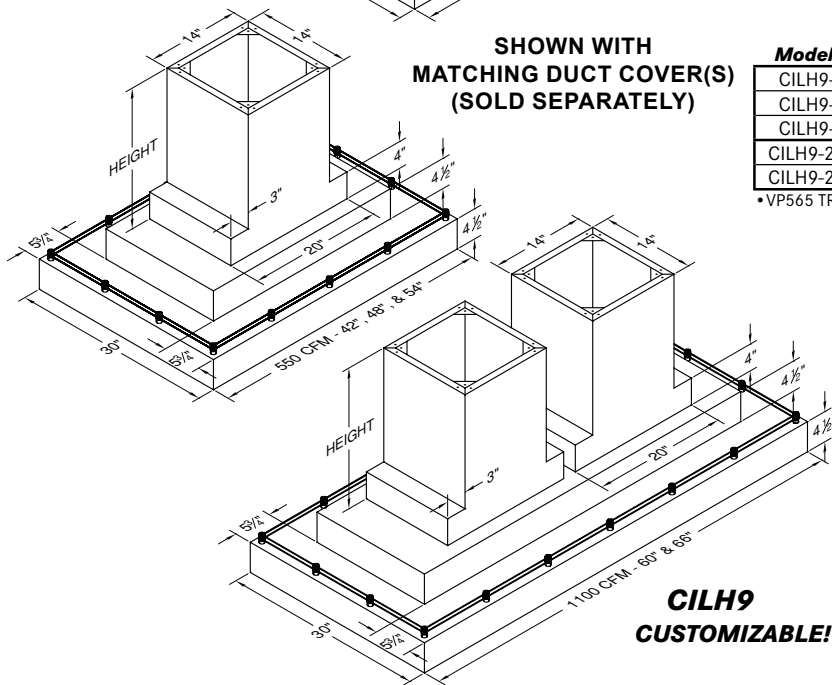
SHOWN WITH MATCHING DUCT COVER(S) (SOLD SEPARATELY)

CIEH9
CUSTOMIZABLE!

CIEH9

Model No.	CFM*	Width	Painted	Stainless	# Lts
CIEH9-236	550	36"	3,994	5,064	4
CIEH9-242		42"	4,024	5,249	4
CIEH9-248		48"	4,241	5,543	4
CIEH9-254	1100	54"	4,593	5,994	4
CIEH9-2+260		60"	6,150	7,996	6
CIEH9-2+266		66"	6,338	8,263	6

*VP565 TRANSITION TO 8" ROUND INCLUDED WITH EACH DUAL BLOWER.



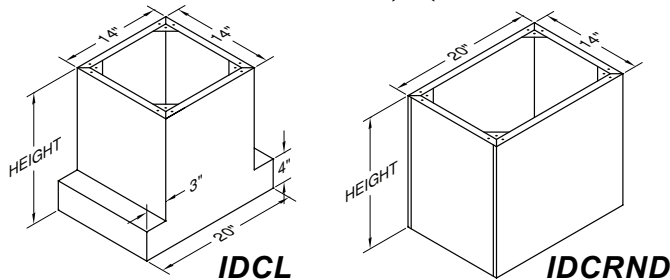
SHOWN WITH MATCHING DUCT COVER(S) (SOLD SEPARATELY)

CILH9
CUSTOMIZABLE!

CILH9

Model No.	CFM*	Width	Painted	Stainless	# Lts
CILH9-242	550	42"	4,024	5,249	4
CILH9-248		48"	4,241	5,543	4
CILH9-254		54"	4,593	6,007	4
CILH9-2+260	1100	60"	6,291	7,996	6
CILH9-2+266		66"	6,338	8,263	6

*VP565 TRANSITION TO 8" ROUND INCLUDED WITH EACH DUAL BLOWER.



IDCL

IDCRND

IDCL/IDCRND FOR CIEH9/CILH9

Model No.	Width	Height	Painted	Stainless	Ceiling
IDCL-14/20/9	20"	9"	563	607	7'
IDCL-14/20/21		21"	738	837	8'
IDCL-14/20/33		33"	910	1,055	9'
IDCRND-14/20/9	20"	9"	563	607	7'
IDCRND-14/20/21		21"	738	837	8'
IDCRND-14/20/33		33"	910	1,055	9'
IDCRND-14/20/45		45"	1,068	1,168	10'
CUSTOM	WIDTH X HEIGHT X		0.76	1.02	
	PLUS		473		
SLOPED TOP*	ADD		473		

CEILING BASED ON REC. MAXIMUM HOOD MOUNTING HEIGHT.
*SPECIFY FRONT TO BACK OR LEFT TO RIGHT DIMENSIONS.

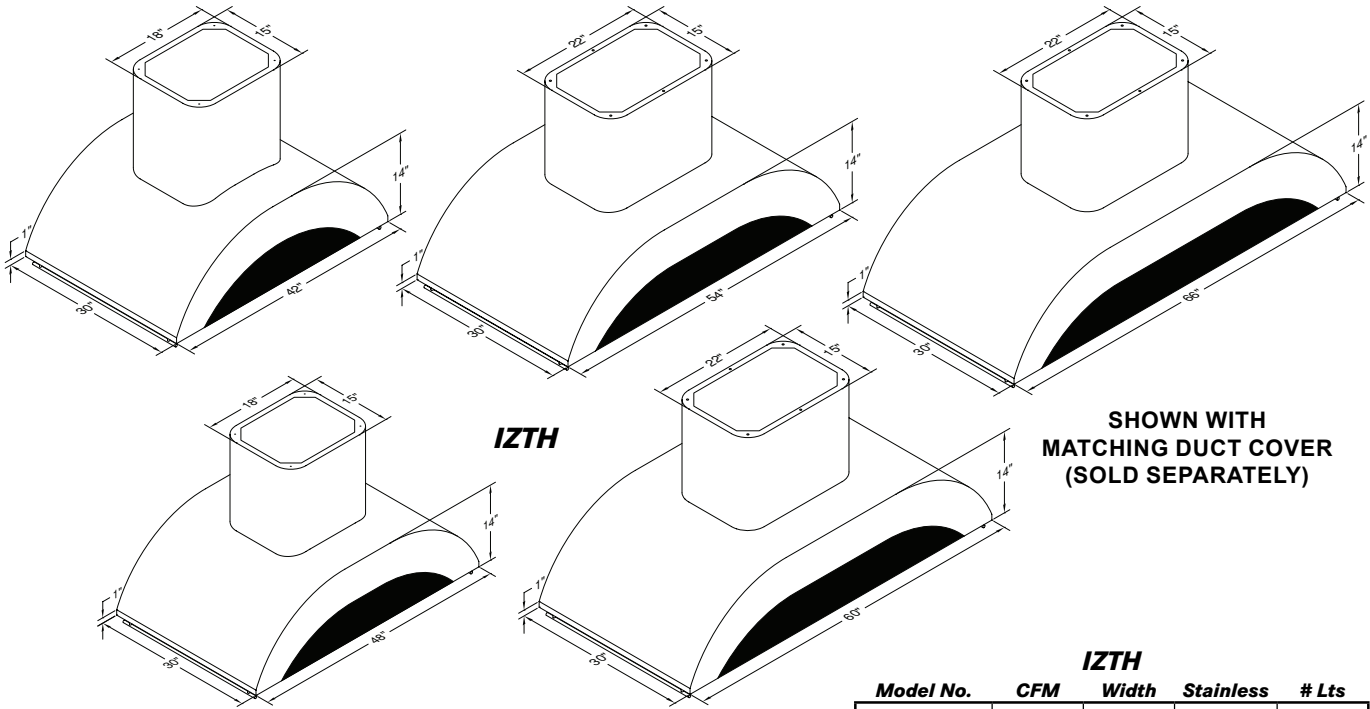
CIEH9/CILH9 VARIATIONS

WIDTHS OVER 66"	PAINTED	STAINLESS	SPECIAL WIDTH (LESS THAN 66")
FOR EACH 6" INCREMENT PLUS	244	320	USE NEXT LARGEST SIZE ON PRICE LIST, PLUS
	276		276
			REMOVE GALLEY RAIL (CILH9 ONLY) TO REMOVE RAIL, NO CHARGE

CONTEMPORARY ISLAND

REC. MOUNTING HEIGHT FROM COOKING SURFACE: 30"

550 CFM MODELS: VP565 TRANSITION INCLUDED
1100 CFM MODELS: VP564 TRANSITION INCLUDED



SHOWN WITH MATCHING DUCT COVER (SOLD SEPARATELY)

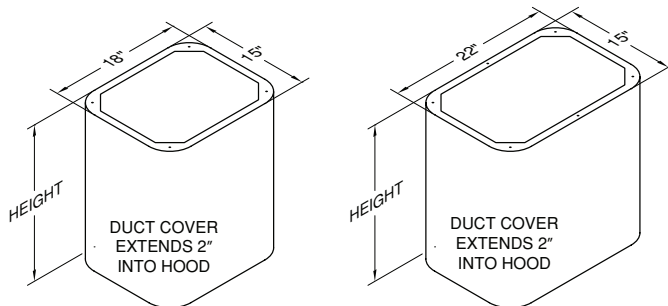
IZTH

IZTH

Model No.	CFM	Width	Stainless	# Lts
IZTH-242	550*	42"	6,334	4
IZTH-248		48"	6,472	4
IZTH-454	1100+	54"	8,405	4
IZTH-460		60"	9,050	4
IZTH-466		66"	9,362	4

IZTH VARIATIONS	
REMOVE FIXED LENGTH SS RAIL	
ADD	473

*VP565 TRANSITION TO 8" ROUND INCLUDED.
+VP564 TRANSITION TO 12" ROUND INCLUDED.



NOTE: DUCT COVER WILL HAVE A VISIBLE SEAM ON ONE SIDE.

DUCT COVERS FOR IZTH

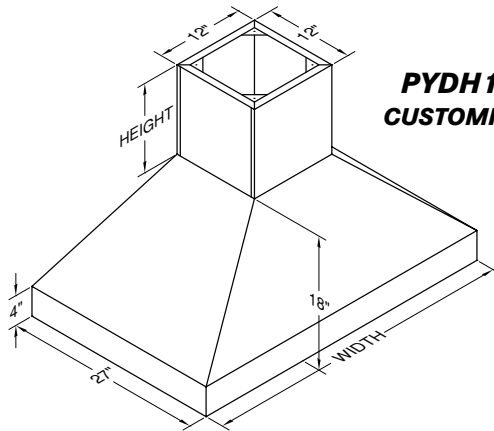
Model No.	Width	Height	Stainless	Ceiling
IZDC-18/6	18"	6"	550	7'
IZDC-18/18		18"	750	8'
IZDC-18/30		30"	954	9'
IZDC-22/6	22"	6"	563	7'
IZDC-22/18		18"	808	8'
IZDC-22/30		30"	1,055	9'
CUSTOM	WIDTH X HEIGHT X		1.02	
	PLUS		473	

CEILING BASED ON REC. MAXIMUM HOOD MOUNTING HEIGHT.

EURO-STYLE ISLAND

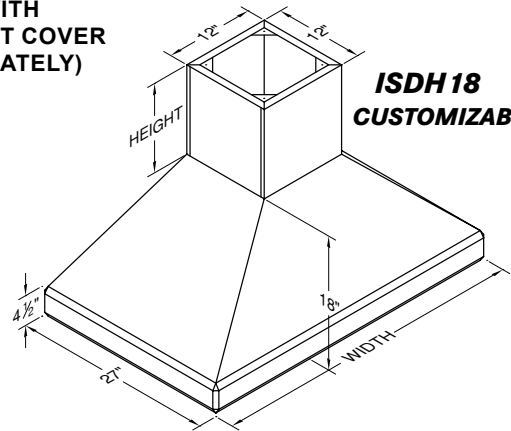
REC. MOUNTING HEIGHT FROM COOKING SURFACE: 30"

550 CFM MODELS: VP565 TRANSITION INCLUDED



PYDH 18
CUSTOMIZABLE!

SHOWN WITH MATCHING DUCT COVER (SOLD SEPARATELY)



ISDH 18
CUSTOMIZABLE!

PYDH 18

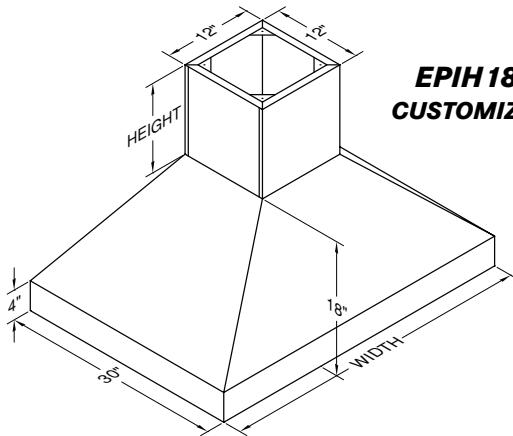
ISDH 18

Model No.	CFM	Width	Painted	Stainless	Overlay*	# Lts
PYDH18-236	550	36"	3,886	5,064	7,397	4
PYDH18-242		42"	4,024	5,249	7,673	4
PYDH18-248		48"	4,241	5,543	7,888	4

Model No.	CFM	Width	Painted	Stainless	# Lts
ISDH18-236	550	36"	4,486	5,698	4
ISDH18-242		42"	4,625	5,883	4
ISDH18-248		48"	4,733	6,022	4

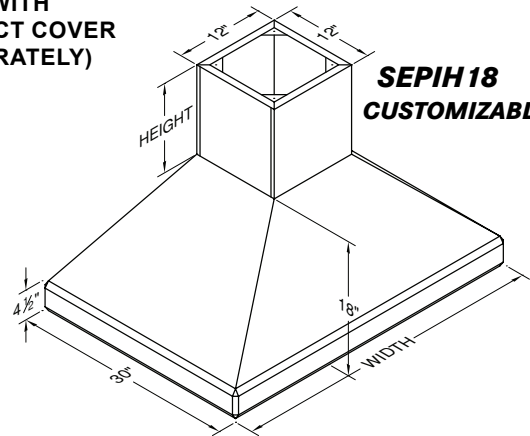
*FOR OVERLAY MODELS, SPECIFY INTERIOR COLOR.
VP565 TRANSITION TO 8" ROUND INCLUDED.

VP565 TRANSITION TO 8" ROUND INCLUDED.



EPIH 18
CUSTOMIZABLE!

SHOWN WITH MATCHING DUCT COVER (SOLD SEPARATELY)



SEPIH 18
CUSTOMIZABLE!

EPIH 18

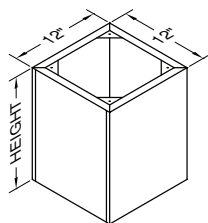
SEPIH 18

Model No.	CFM	Width	Painted	Stainless	Overlay*	# Lts
EPIH18-236	550	36"	3,994	5,064	7,397	4
EPIH18-242		42"	4,131	5,249	7,673	4
EPIH18-248		48"	4,241	5,543	7,888	4

Model No.	CFM	Width	Painted	Stainless	# Lts
SEPIH18-236	550	36"	4,486	5,364	4
SEPIH18-242		42"	4,625	5,543	4
SEPIH18-248		48"	4,733	5,852	4

*FOR OVERLAY MODELS, SPECIFY INTERIOR COLOR.
VP565 TRANSITION TO 8" ROUND INCLUDED.

VP565 TRANSITION TO 8" ROUND INCLUDED.



550 CFM EURO-STYLE ISLAND DUCT COVERS

Model No.	Width	Height	Painted	Stainless	Overlay	Ceiling
IDCRND-12/12	12"	12"	550	578	665	8'
IDCRND-12/24		24"	650	709	895	9'
IDCRND-12/36		36"	750	852	1,111	10'
CUSTOM	WIDTH X HEIGHT X		0.76	1.02	1.69	
	PLUS		473			
SLOPED TOP*	ADD		473			

CEILING BASED ON REC. MAXIMUM HOOD MOUNTING HEIGHT.
*SPECIFY FRONT TO BACK OR LEFT TO RIGHT DIMENSIONS.

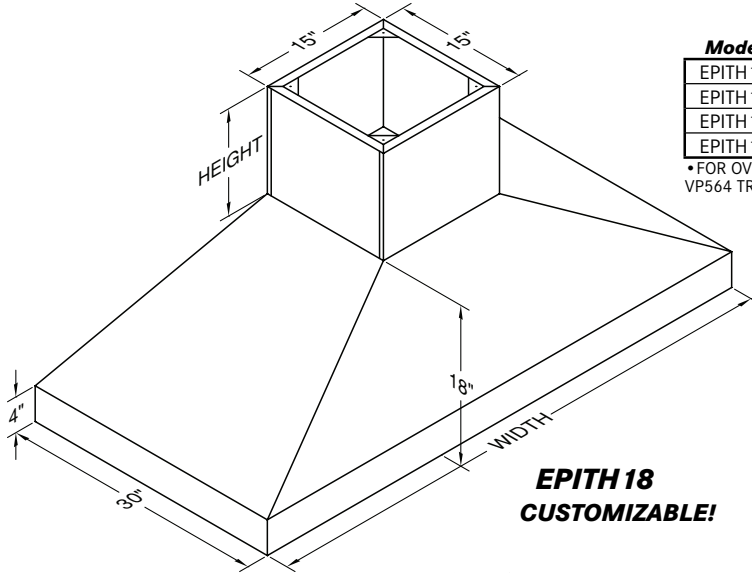
550 CFM EURO-STYLE ISLAND HOOD VARIATIONS

SPECIAL WIDTH (LESS THAN 48") USE NEXT LARGEST SIZE ON PRICE LIST, PLUS				276
DEPTH OVER 27"/30"				
WIDTH X EXTRA DEPTH X	PAINTED	STAINLESS	OVERLAY	
PLUS	1.51	2.47	3.03	
		473		
STAINLESS STEEL INTERIOR ON OVERLAY HOOD SUBTRACT PAINTED HOOD PRICE FROM STAINLESS HOOD PRICE				
REMOTE BLOWER OPTIONS SEE PAGES 50-51 FOR REMOTE BLOWER OPTIONS				
CUSTOM COLOR (SEE CUSTOM COLOR CHART)				
ADD				863
TRIM OPTIONS SEE PAGES 56-57 FOR FINISH AND TRIM OPTIONS				

EURO-STYLE ISLAND

REC. MOUNTING HEIGHT FROM COOKING SURFACE: 30"

1100 CFM MODELS: VP564 TRANSITION INCLUDED



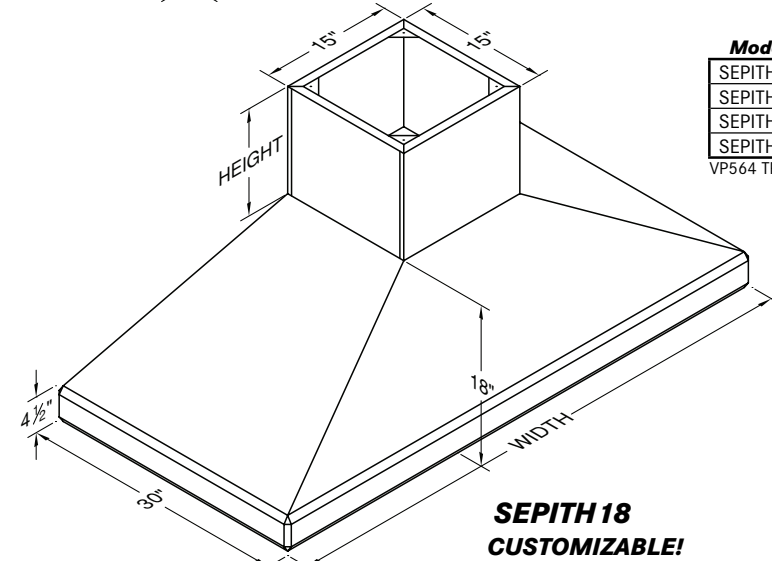
EPITH 18
CUSTOMIZABLE!

EPITH 18

Model No.	CFM	Width	Painted	Stainless	Overlay*	# Lts
EPITH 18-448	1100	48"	5,424	6,767	9,173	4
EPITH 18-454		54"	5,960	7,367	9,978	4
EPITH 18-460		60"	6,196	7,890	10,498	4
EPITH 18-466		66"	6,448	8,220	11,035	4

* FOR OVERLAY HOODS, SPECIFY INTERIOR COLOR. VP564 TRANSITION TO 12" ROUND INCLUDED.

SHOWN WITH MATCHING DUCT COVER (SOLD SEPARATELY)



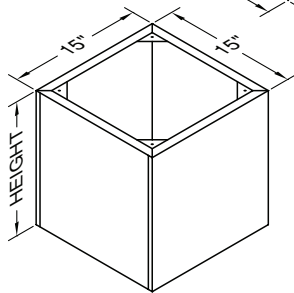
SEPITH 18
CUSTOMIZABLE!

SEPITH 18

Model No.	CFM	Width	Painted	Stainless	# Lts
SEPITH 18-448	1100	48"	5,927	7,414	4
SEPITH 18-454		54"	6,465	8,048	4
SEPITH 18-460		60"	6,701	8,378	4
SEPITH 18-466		66"	6,936	8,727	4

VP564 TRANSITION TO 12" ROUND INCLUDED.

SHOWN WITH MATCHING DUCT COVER (SOLD SEPARATELY)



1100 CFM EURO-STYLE ISLAND DUCT COVERS

Model No.	Width	Height	Painted	Stainless	Overlay	Ceiling
IDCRND-15/12	15"	12"	563	607	723	8'
IDCRND-15/24		24"	693	781	1,011	9'
IDCRND-15/36		36"	825	954	1,275	10'
CUSTOM	WIDTH X HEIGHT X PLUS		0.76	1.02	1.69	
	SLOPED TOP*					473

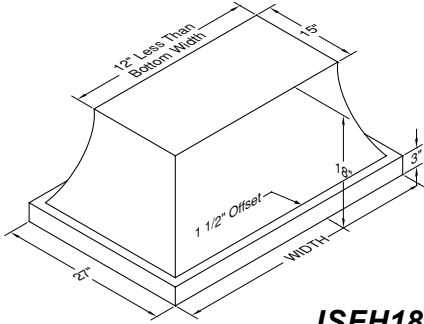
CEILING BASED ON REC. MAXIMUM HOOD MOUNTING HEIGHT. * SPECIFY FRONT TO BACK OR LEFT TO RIGHT DIMENSIONS.

1100 CFM EURO-STYLE ISLAND HOOD VARIATIONS

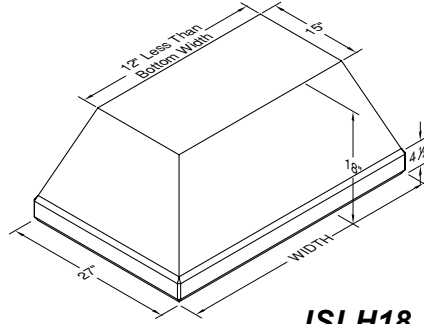
WIDTHS OVER 66"				STAINLESS STEEL INTERIOR ON OVERLAY HOOD	
FOR EACH 6" INCREMENT PLUS	PAINTED 244	STAINLESS 320	OVERLAY 504	SUBTRACT PAINTED HOOD PRICE FROM STAINLESS HOOD PRICE	
SPECIAL WIDTH (LESS THAN 66") USE NEXT LARGEST SIZE ON PRICE LIST, PLUS	276		REMOTE BLOWER OPTIONS SEE PAGES 50-51 FOR REMOTE BLOWER OPTIONS		
DEPTH OVER 30"	PAINTED 1.51	STAINLESS 2.47	OVERLAY 3.03	CUSTOM COLOR (SEE CUSTOM COLOR CHART) ADD 863	
WIDTH X EXTRA DEPTH X PLUS	473		TRIM OPTIONS SEE PAGES 56-57 FOR FINISH AND TRIM OPTIONS		

OTHER ISLAND STYLES

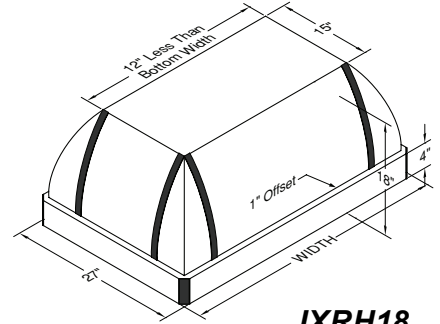
THESE MODELS HAVE BEEN REMOVED FROM OUR PRICING LITERATURE BUT THAT DOES NOT MEAN THAT THEY HAVE BEEN DISCONTINUED. PLEASE CONTACT THE FACTORY FOR PRICING DETAILS ON THESE HOODS.



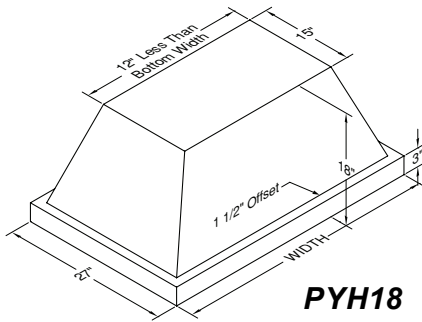
ISFH18



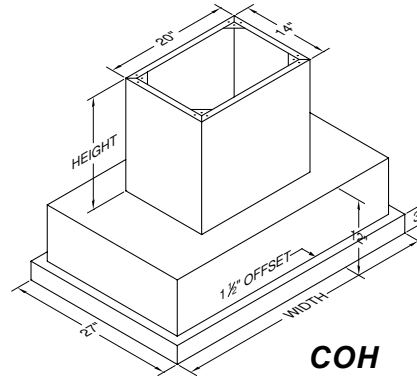
ISLH18



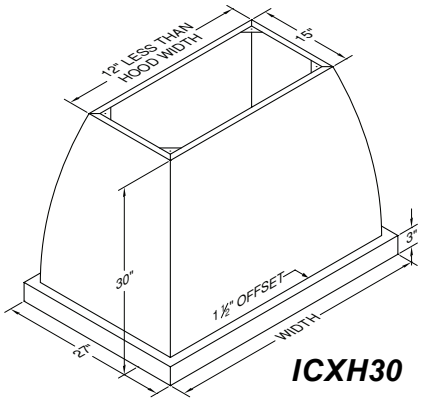
IXRH18



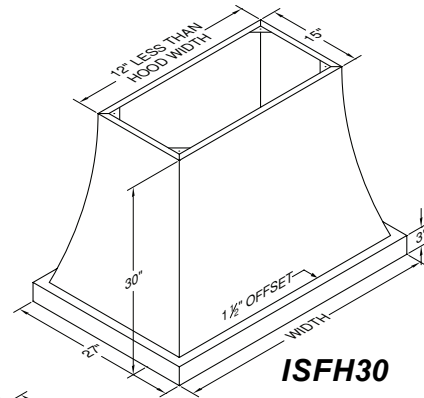
PYH18



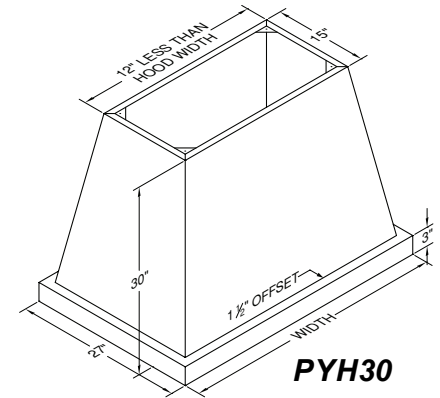
COH



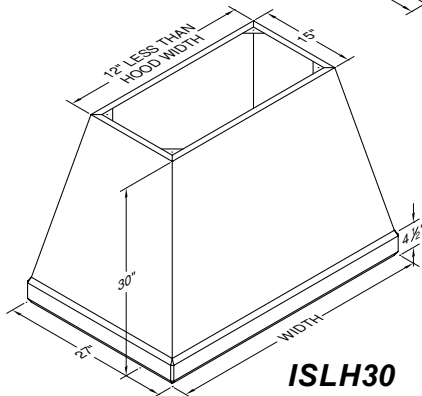
ICXH30



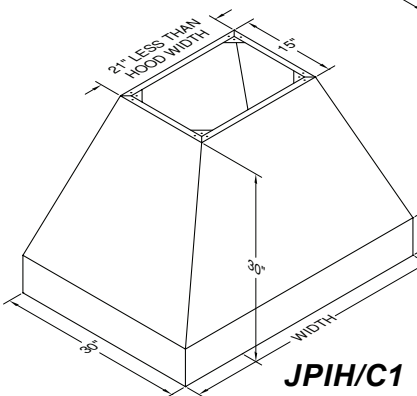
ISFH30



PYH30



ISLH30

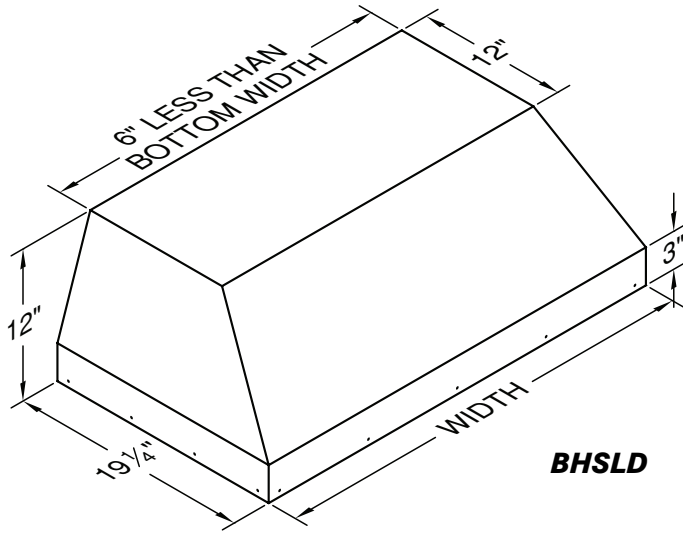


JPIH/C1

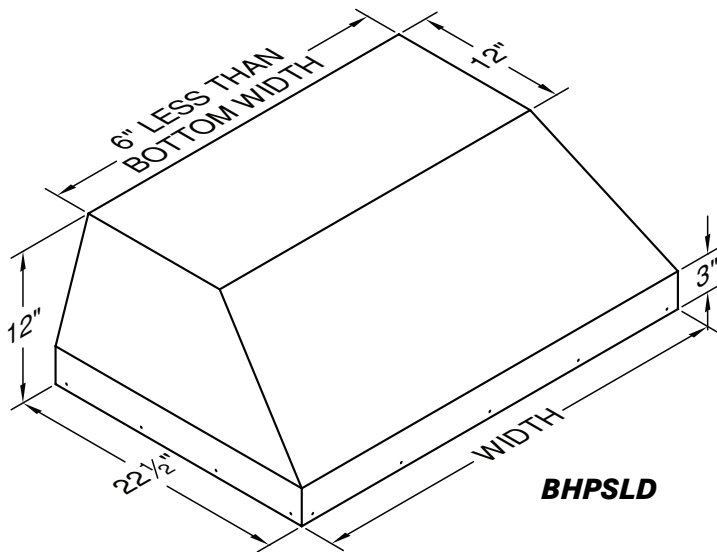
WALL MOUNT LINER INSERTS

REC. MOUNTING HEIGHT FROM COOKING SURFACE:
 BHSLD: 24"-27"
 BHPSLD & BHPSLB: 27"-30"

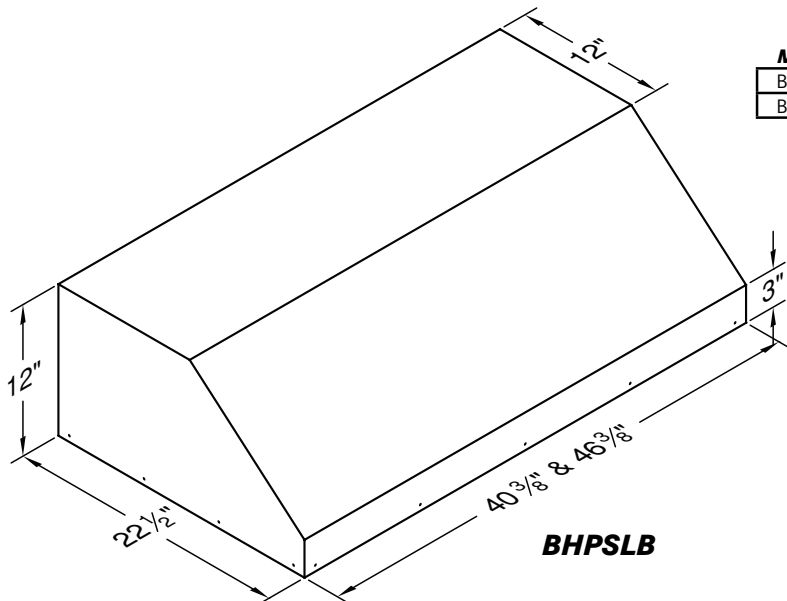
900 CFM OPTIONAL TRANSITION TO 10" ROUND: VP562
 1200 CFM OPTIONAL TRANSITION TO 12" ROUND: VP563



BHSLD					
Model No.	CFM	Width	Painted	Stainless	# Lts
BH128SLD	300	28 3/8"	991	1,311	2
BH134SLD		34 3/8"	991	1,311	2
BH140SLD		40 3/8"	1,147	1,474	2
BH228SLD	600	28 3/8"	1,410	1,770	2
BH234SLD		34 3/8"	1,410	1,770	2
BH240SLD		40 3/8"	1,579	1,947	2
BH246SLD		46 3/8"	1,684	2,101	3
BH346SLD	900	46 3/8"	2,152	2,605	3



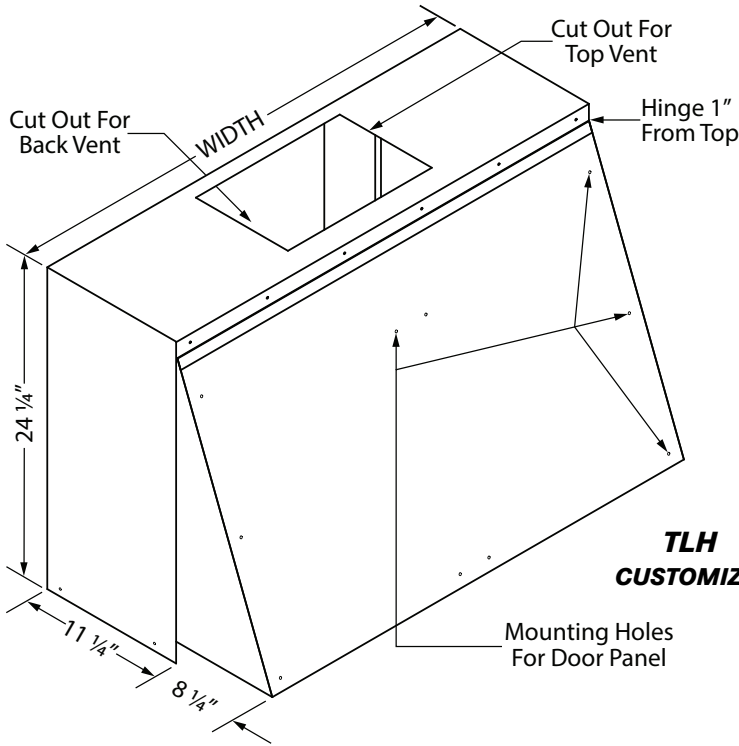
BHPSLD					
Model No.	CFM	Width	Painted	Stainless	# Lts
BH128PSLD	300	28 3/8"	991	1,311	2
BH134PSLD		34 3/8"	991	1,311	2
BH140PSLD		40 3/8"	1,147	1,474	2
BH146PSLD		46 3/8"	1,456	1,994	2
BH152PSLD		52 3/8"	1,824	2,511	2
BH228PSLD	600	28 3/8"	1,451	1,789	2
BH234PSLD		34 3/8"	1,451	1,789	2
BH240PSLD		40 3/8"	1,611	1,972	2
BH246PSLD		46 3/8"	1,781	2,143	3
BH252PSLD	900	52 3/8"	2,069	2,636	3
BH346PSLD		46 3/8"	2,187	2,646	3
BH352PSLD		52 3/8"	2,489	3,153	3
BH358PSLD	1200	58 3/8"	2,927	3,694	4
BH452PSLD		52 3/8"	2,910	3,614	3
BH458PSLD	1200	58 3/8"	3,348	4,156	4
BH464PSLD		64 3/8"	3,534	4,401	4



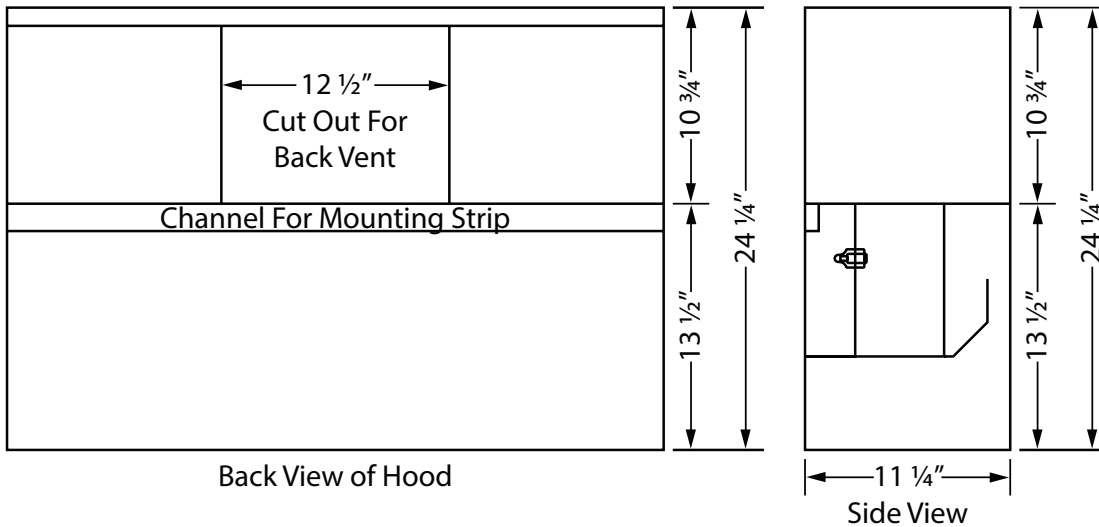
BHPSLB					
Model No.	CFM	Width	Painted	Stainless	# Lts
BH340PSLB	900	40 3/8"	2,183	2,640	3
BH446PSLB	1200	46 3/8"	2,684	3,235	3

WALL MOUNT LINER INSERTS

REC. MOUNTING HEIGHT FROM COOKING SURFACE: 23 3/4"



Model No.	CFM	TLH			# Lts
		Width	Painted	Stainless	
TLH-130	300	30"	2,034	2,754	2
TLH-136		36"	2,081	2,785	2
TLH-142		42"	2,243	2,962	3
TLH-148		48"	2,333	3,070	3
TLH-230	600	30"	2,478	3,239	2
TLH-236		36"	2,525	3,271	2
TLH-242		42"	2,686	3,448	3
TLH-248		48"	2,777	3,556	3

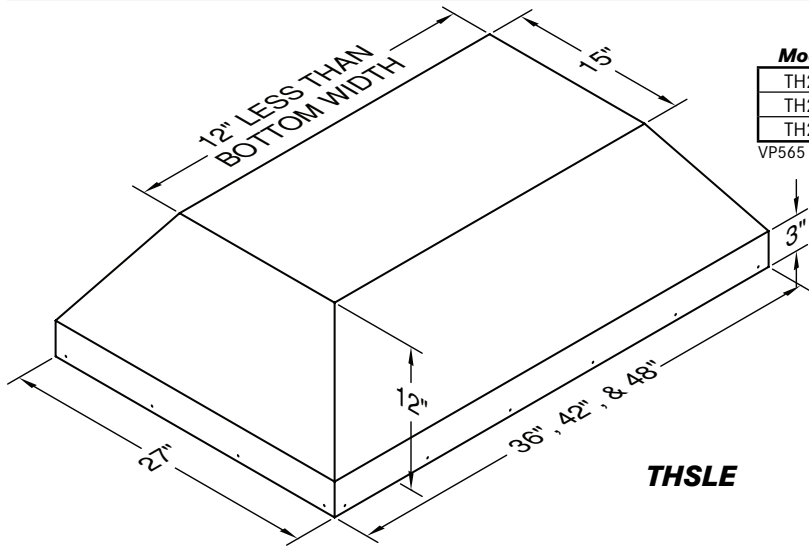


TLH WALL MOUNT HOOD VARIATIONS		
SPECIAL WIDTH (LESS THAN 48")		
ADD	276	
HINGE AT TOP		
ADD	276	
		CUSTOM TILT OUT
		HEIGHT (36" MAX), WIDTH, DEPTH OR COMBO VARIATION
		ADD
		564
		CUSTOM COLOR (SEE CUSTOM COLOR CHART)
		ADD
		863

ISLAND LINER INSERTS

REC. MOUNTING HEIGHT FROM
COOKING SURFACE: 30"

550 CFM MODELS: VP565 TRANSITION INCLUDED
1100 CFM MODELS: VP564 TRANSITION INCLUDED

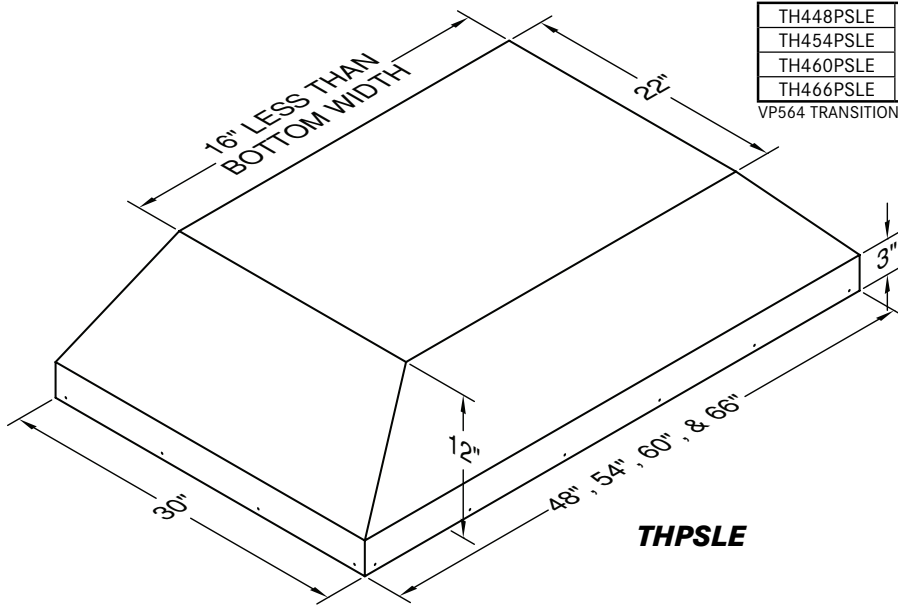


THSLE

THSLE

Model No.	CFM	Width	Painted	Stainless	# Lts
TH236SLE	550	36"	2,490	3,103	4
TH242SLE		42"	2,547	3,192	4
TH248SLE		48"	2,603	3,249	4

VP565 TRANSITION TO 8" ROUND INCLUDED.



THPSLE

THPSLE

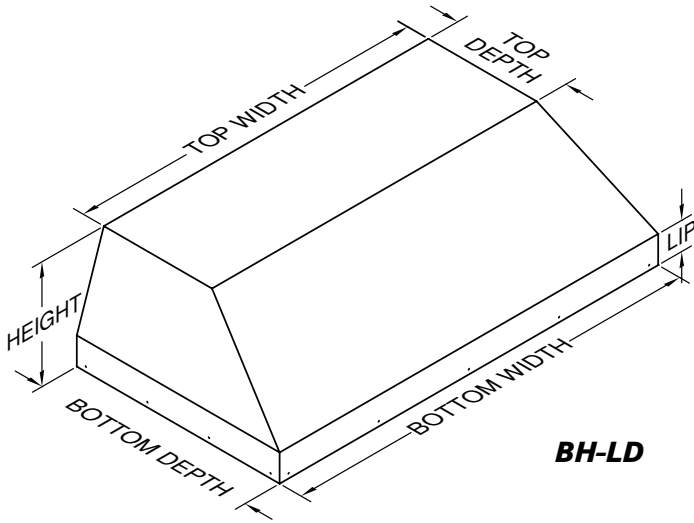
Model No.	CFM	Width	Painted	Stainless	# Lts
TH448PSLE	1100	48"	4,113	5,605	4
TH454PSLE		54"	4,279	5,815	4
TH460PSLE		60"	4,373	6,016	4
TH466PSLE		66"	4,439	6,137	4

VP564 TRANSITION TO 12" ROUND INCLUDED.

CUSTOM WALL MOUNT LINER INSERTS

REC. MOUNTING HEIGHT FROM COOKING SURFACE: VARIES BY SIZE

900 CFM OPTIONAL TRANSITION TO 10" ROUND: VP562
1200 CFM OPTIONAL TRANSITION TO 12" ROUND: VP563



BH-LD

MINIMUM TOP WIDTH FOR 300 SERIES IS 40-318"
MINIMUM TOP WIDTH FOR 400 SERIES IS 46-318"

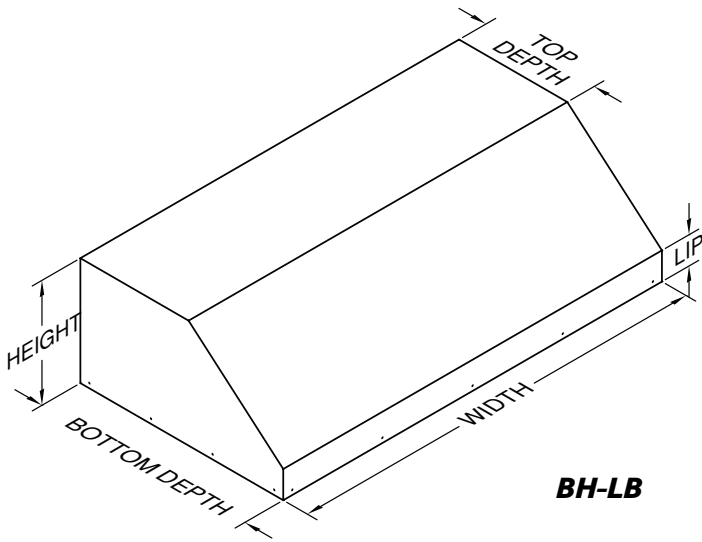
BH-LD

Model No.	CFM	Width	Painted	Stainless	# Lts
BH100LD-A	300	24"-36"	1,983	2,592	2
BH200LD-A	600	24"-36"	2,472	3,112	2
BH200LD-B		36"-48"	2,746	3,401	*
BH200LD-C		48"-54"	3,111	3,950	*
BH300LD-D	900	42"-54"	3,722	4,682	*
BH400LD-E	1200	48"-66"	4,544	5,659	*

2 LIGHTS FOR HOODS 24"<42", 3 LIGHTS FOR HOODS 42"<54", 4 LIGHTS FOR HOODS 54"≤66"

TRIM KIT INCLUDED
DIMENSIONS BELOW ARE AVAILABLE AT NO ADDITIONAL COST.

BOTTOM DEPTH:	16" - 24"
HEIGHT:	12"
TOP DEPTH:	12"
LIP:	3"



BH-LB

BH-LB

Model No.	CFM	Width	Painted	Stainless	# Lts
BH100LB-A	300	24"-36"	1,524	2,135	2
BH200LB-A	600	24"-36"	2,015	2,640	2
BH200LB-B		36"-48"	2,288	2,944	*
BH200LB-C		48"-54"	2,653	3,478	*
BH300LB-D	900	42"-54"	3,265	4,209	*
BH400LB-E	1200	48"-66"	4,086	5,202	*

2 LIGHTS FOR HOODS 24"<42", 3 LIGHTS FOR HOODS 42"<54", 4 LIGHTS FOR HOODS 54"≤66"

TRIM KIT INCLUDED
DIMENSIONS BELOW ARE AVAILABLE AT NO ADDITIONAL COST.

BOTTOM DEPTH:	16" - 24"
HEIGHT:	12"
TOP DEPTH:	12"
LIP:	3"

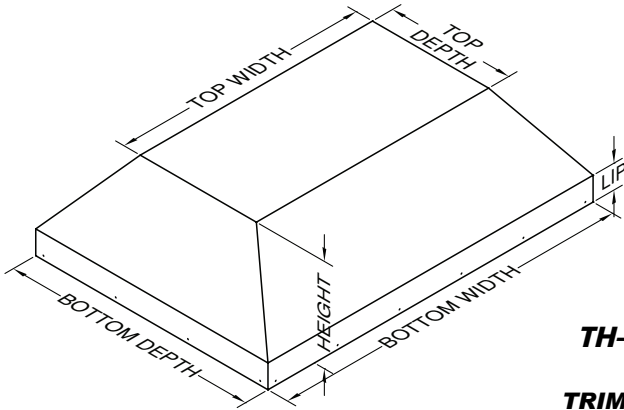
CUSTOM WALL MOUNT LINER INSERT VARIATIONS

WIDTHS OVER 66" FOR EACH 6" INCREMENT PLUS	PAINTED	STAINLESS	LIP (OTHER THAN 3" STANDARD) ADD	438
	200	285		
SPECIAL HEIGHT (OTHER THAN 12" STANDARD) 9" MINIMUM, 18" MAXIMUM ADD			SPECIAL TOP DEPTH (12" MINIMUM) ADD	438
		256		
DEPTH OVER 24" WIDTH X EXTRA DEPTH X PLUS	PAINTED	STAINLESS	ADDITIONAL BLOWERS & LIGHTS SEE PAGE 50 FOR BLOWER OPTIONS	
	1.27	1.86		
		438	REMOTE BLOWER OPTIONS SEE PAGES 50-51 FOR REMOTE BLOWER OPTIONS	
			CUSTOM COLOR (SEE CUSTOM COLOR CHART) ADD	889
			WARMING LAMPS AND SHELVES SEE PAGES 53 FOR WARMING LAMP AND SHELF OPTIONS	

CUSTOM ISLAND LINER INSERTS

REC. MOUNTING HEIGHT FROM COOKING SURFACE: VARIES BY SIZE

VP565 TRANSITION INCLUDED WITH EACH DUAL BLOWER
VP564 TRANSITION INCLUDED WITH EACH CLUSTER BLOWER



TH-LE

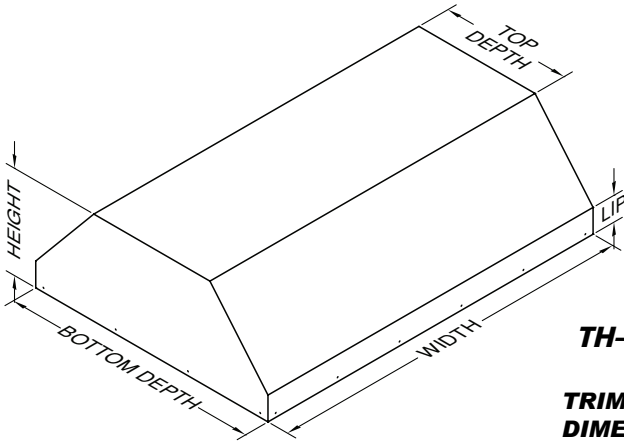
TRIM KIT INCLUDED
DIMENSIONS BELOW ARE AVAILABLE AT NO ADDITIONAL COST.

BOTTOM DEPTH:	27"
HEIGHT:	12"
TOP WIDTH:	12" LESS THAN BOTTOM WIDTH
TOP DEPTH:	12" LESS THAN BOTTOM DEPTH
LIP:	3"

TH-LE

MODEL NO.	CFM	Width	Painted	Stainless	# Lts
TH200LE-A	550	24"-36"	3,510	4,485	4
TH200LE-B		36"-48"	3,724	4,759	4
TH200LE-C		48"-54"	4,012	5,140	4
TH2+200LE-E	1100	48"-66"	5,773	7,350	*

EACH DUAL BLOWER REQUIRES 24" MINIMUM TOP WIDTH.
•VP565 TRANSITION TO 8" ROUND INCLUDED WITH EACH DUAL BLOWER.
4 LIGHTS FOR HOODS 48"<60", 8 LIGHTS FOR HOODS 60"≤66"
A CLUSTER BLOWER (1100 CFM) IS AVAILABLE ON MODELS WITH A MINIMUM TOP SIZE OF 24" WIDE X 24" DEEP. CONTACT THE FACTORY FOR ADDITIONAL DETAILS.



TH-LC

TRIM KIT INCLUDED
DIMENSIONS BELOW ARE AVAILABLE AT NO ADDITIONAL COST.

BOTTOM DEPTH:	27"
HEIGHT:	12"
TOP DEPTH:	12" LESS THAN BOTTOM DEPTH
LIP:	3"

TH-LC

MODEL NO.	CFM	Width	Painted	Stainless	# Lts
TH200LC-A	550	24"-36"	3,510	4,485	4
TH200LC-B		36"-48"	3,724	4,759	4
TH200LC-C		48"-54"	4,012	5,140	4
TH2+200LC-E	1100	48"-66"	5,773	7,350	*

EACH DUAL BLOWER REQUIRES 24" MINIMUM TOP WIDTH.
•VP565 TRANSITION TO 8" ROUND INCLUDED WITH EACH DUAL BLOWER.
4 LIGHTS FOR HOODS 48"<60", 8 LIGHTS FOR HOODS 60"≤66"
A CLUSTER BLOWER (1100 CFM) IS AVAILABLE ON MODELS WITH A MINIMUM TOP SIZE OF 24" WIDE X 24" DEEP. CONTACT THE FACTORY FOR ADDITIONAL DETAILS.

CUSTOM ISLAND LINER INSERT VARIATIONS

WIDTHS OVER 66"			SPECIAL HEIGHT (OTHER THAN 12" STANDARD)	
FOR EACH 6" INCREMENT PLUS	PAINTED 244	STAINLESS 320	9" MINIMUM, 18" MAXIMUM ADD	473
DEPTH OVER 27"			SPECIAL TOP WIDTH OR DEPTH	
WIDTH X EXTRA DEPTH X PLUS	PAINTED 1.51	STAINLESS 2.47	ADD	473
LIP (OTHER THAN 3" STANDARD)			REMOTE BLOWER OPTIONS	
ADD	473		SEE PAGES 50-51 FOR REMOTE BLOWER OPTIONS	
			CUSTOM COLOR (SEE CUSTOM COLOR CHART)	
			ADD	833

BLOWER OPTIONS

You may need to add a blower to hoods to increase CFM, depending on the cooking equipment being used. To add a blower to a hood, you need to have enough top space inside of the hood to do so. A Single Blower requires 16" of space, a Dual Blower requires 24" of space, an Island Dual Blower requires 12" D x 23 1/2" W, and an Island Cluster Blower requires 24" D x 24" W.

ADDING BLOWERS

Model	Volts	Amps	Hz	RPM	*CFM	**Equiv CFM	Painted	Stainless Steel
Single Blower	120	1.5	60	1550	300	450	472	583
Dual Blower	120	2.9	60	1550	600	900	916	1,068
Island Dual Blower	120	2.9	60	1550	550	900	943	1,207
Island Cluster Blower	120	5.8	60	1550	1100	1800	1,886	2,413
RM1000	120	3.2	60	1100	945	N/A	1,381	
RM1500	120	5.0	60	1130	1500	N/A	1,735	

SensaSource® - Our patented speed control system that allows the blower to be turned to half speed for light cooking but automatically returns to high speed when heat rise is detected. This feature is standard on all Magic Lung® and K Series models with halogen lighting.

SensaSource®

Convert two-speed blower to auto-on SensaSource® control (one for each single or dual blower) 123 ea.

- * CFM rating is based on 0.0" static pressure (resistance in the ducting turns, roof caps, etc.) CFM rating will change as static pressure is increased. Static pressure increases due to ducting and length of duct run.
- ** Equivalent CFM refers to the fact that the Magic Lung® uses centrifugal filtration units, while others use conventional filters. Apply this guideline when comparing blower units made by other manufacturers.

There are certain customers who will want a remote blower range hood despite the benefits of the Magic Lung blower system. The following steps will help you when pricing remote blower hoods.

1. Specify how many and which filters you will be using. B20 SS filters are for wall mount or under cabinet installations and T20 SS filters are for island installations. We recommend one B20 SS or T20 SS for each 22" of hood top width.
2. Specify the size and number of remote blowers you will need. The RM1000 is equivalent to a B200 or T200 blower. The RM1500 is 50% larger.
3. For each remote blower, you will need to add an accessory kit. The accessory kit includes a variable speed blower controller, LED lights, back draft dampers, and a 10" duct collar.

DEDUCTING BLOWERS FOR REMOTE BLOWER MODELS

BLOWER PRICING BELOW IS FOR USE IN CALCULATING DEDUCTIONS FOR REMOTE BLOWERS ONLY.		
MODEL	PAINTED	STAINLESS
B100 (SINGLE BLOWER)	470	583
B200 (DUAL BLOWER)	915	1,068
T200 (ISLAND DUAL BLOWER)	943	1,206
T400 (ISLAND CLUSTER BLOWER)	1,886	2,413
SPECIAL COLLAR		287

REMOTE BLOWERS

HOOD SELECTION/PRICING WITH REMOTE BLOWERS

1. CHOOSE THE BASE MODEL HOOD THAT IS TO BE EQUIPPED WITH A REMOTE BLOWER.
2. DEDUCT THE PRICE OF THE INTERNAL BLOWER(S) FROM THE HOOD (SEE PREVIOUS PAGE).
3. ADD THE APPROPRIATE ACCESSORY KIT (SEE RIGHT).
4. ADD THE APPROPRIATE FILTERS (SEE BELOW).
5. ADD THE APPROPRIATE REMOTE BLOWER UNIT(S) (SEE BELOW).

LIGHT KITS

INCLUDES LED LIGHTS, TWO-STAGE LIGHT SWITCH, SOLID STATE MOTOR CONTROL SWITCH (VARIABLE SPEED) AND 10" DAMPER ASSEMBLY INSTALLED IN HOOD.

ACC.KIT-W-H2 (2 LED LIGHTS/WALL MT)	671
ACC.KIT-W-H3 (3 LED LIGHTS/WALL MT)	851
ACC.KIT-W-H4 (4 LED LIGHTS/WALL MT)	1,031
ACC.KIT-I-H4 (4 LED LIGHTS/ISLAND)	1,399
ACC.KIT-I-H8 (8 LED LIGHTS/ISLAND)	2,100

ACCESSORY KIT PARTS

SOLID STATE (VARIABLE SPEED) MOTOR

CONTROL WALL SWITCH (P1500W) 104

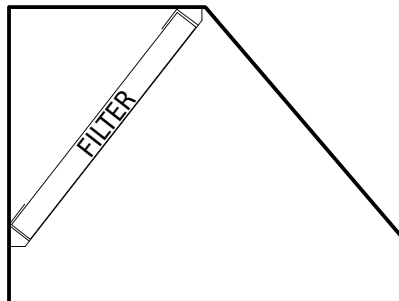
ACCESSORY KIT PARTS

WHEN ORDERED WITH HOOD

TO ADD MOTOR CONTROL WALL SWITCH ASSEMBLY

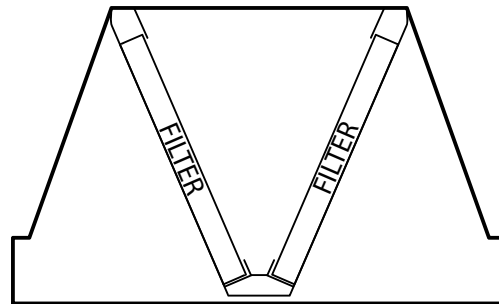
ADD (P1500R) 26

WALL MOUNT BAFFLE FILTER



WALL MOUNT SIDE VIEW

ISLAND BAFFLE FILTER

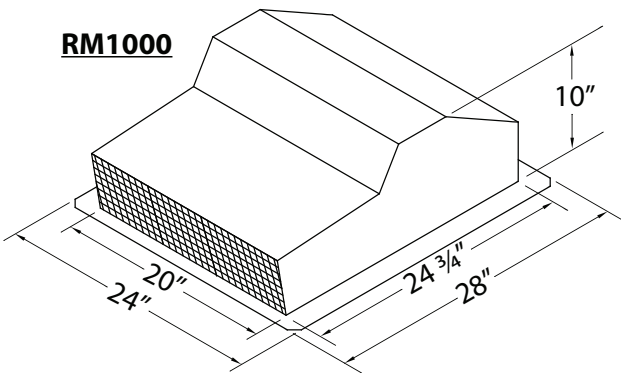


ISLAND SIDE VIEW

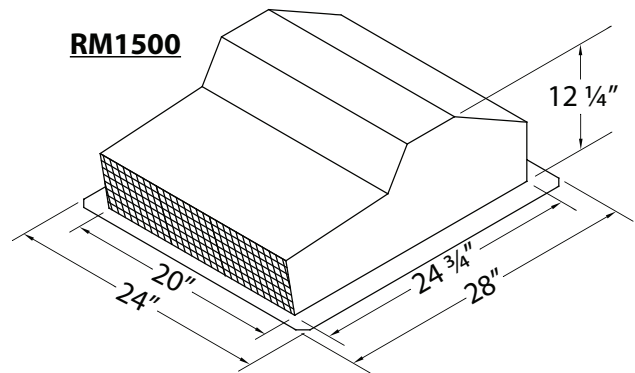
B20 SS (PER FILTER) 459
(SPECIFY ONE B20 SS FOR EACH 22" OF HOOD TOP WIDTH)

T20 SS (PER PAIR OF FILTERS) 948
(SPECIFY ONE PAIR OF T20 SS FOR EACH 22" OF HOOD TOP WIDTH)

REMOTE BLOWERS



RM1000 REMOTE BLOWER 1,381



RM1500 REMOTE BLOWER 1,735

SPLASH PANELS

STANDARD SPLASH PANELS

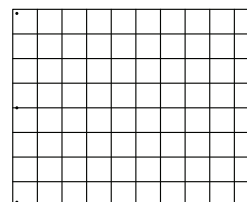
Panel Size	Painted	Stainless	Overlay
30" W x 24" T	71	116	276
36" W x 24" T	84	138	330
42" W x 24" T	100	162	382
48" W x 24" T	108	185	443
30" W x 30" T	84	146	345
36" W x 30" T	100	177	413
42" W x 30" T	123	199	482
48" W x 30" T	138	229	550
SPECIAL SIZES (SPECIFY IF HEMS/HOLES REQUIRED)			
PER SQ INCH	0.16	0.26	0.36



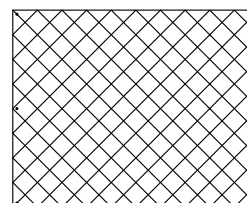
HEMS AND HOLES ARE INCLUDED ON STANDARD SIZES, PRICE AS A CUSTOM PANEL IF HEMS AND/OR HOLES ARE NOT REQUIRED.

OVERLAY & PATTERNED SPLASH PANELS

Panel Size	Painted	Stainless	Overlay
30" W x 24" T Pat.	193	239	398
36" W x 24" T Pat.	206	261	452
42" W x 24" T Pat.	224	284	504
48" W x 24" T Pat.	235	312	570
30" W x 30" T Pat.	206	269	467
36" W x 30" T Pat.	224	299	536
42" W x 30" T Pat.	244	322	604
48" W x 30" T Pat.	260	351	672
SPECIAL SIZES (SPECIFY IF HEMS/HOLES REQUIRED)			
PER SQ INCH	0.16	0.26	0.36
PLUS		127	



CHECKERBOARD



DIAMOND

HEMS AND HOLES ARE INCLUDED ON STANDARD SIZES, PRICE AS A CUSTOM PANEL IF HEMS AND/OR HOLES ARE NOT REQUIRED.

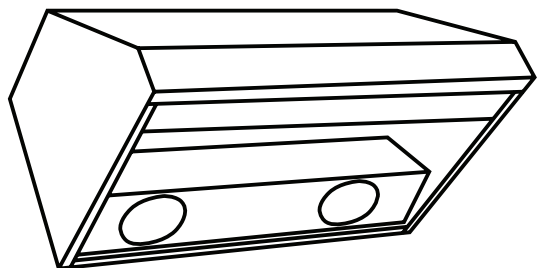
OTHER SPLASH PANEL OPTIONS

Ordering Notes and Options:

PAINTED SPLASH PANELS MUST HAVE AT LEAST ONE HOLE IN THEM TO ALLOW FOR PAINTING.	
FOR CUT-OUTS OR SPECIAL BREAKS, ADD	32
CRATING CHARGE FOR PANELS TOO LARGE TO PACKAGE WITH HOOD, ADD	55
MINIMUM CHARGE ON SMALL PANELS	32

WARMING LAMPS & SHELVES

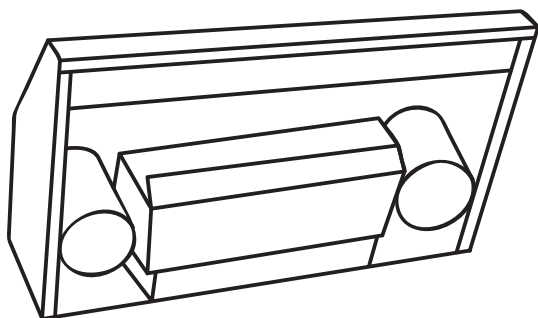
WARMING BAR



FOR USE IN HOODS 18" OR TALL.
NOT AVAILABLE ON HOODS WITH DECKS BELOW 18".
BULBS NOT INCLUDED.

Model No.	Price
WBAR INCLUDES 2 LIGHTS	489
FOR ADDITIONAL LIGHTS, ADD	489
PLUS, PER LIGHT	294

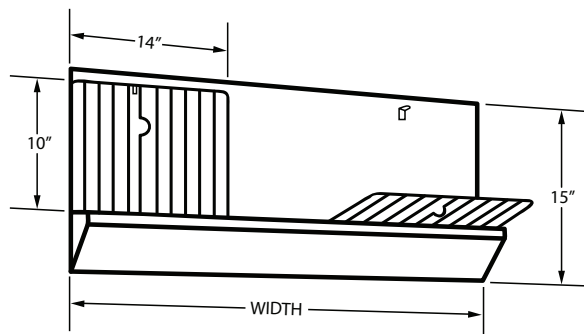
WARMING LAMP HOUSING



FOR USE IN HOODS UNDER 18" TALL.
8" TOP DIMENSION REQUIRED PER FIXTURE.
BULBS NOT INCLUDED.

Model No.	Price Per Light
WL-1	294

WARMING SHELF



TWO FOLD DOWN SHELVES ON A BACKSPLASH.
MOUNTED ON A 3 1/2" DEEP LEDGE.
EACH SHELF IS 10" DEEP x 14" WIDE.
STAINLESS BACKSPLASH IS 15" TALL.

Model No.	Width	Price
WS030	30"	565
WS036	36"	618
WS042	42"	664
WS048	48"	727
WS054	54"	772
WS060	60"	824
WS066	66"	872
WS072	72"	930

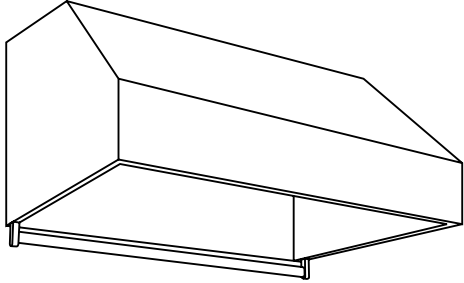
Model No.	Description	Price
P1415	Additional Shelf	284

WS0 With Non-Standard Width	Price
USE NEXT LARGEST SIZE ON PRICE LIST PLUS	294

ACCESSORY RAIL

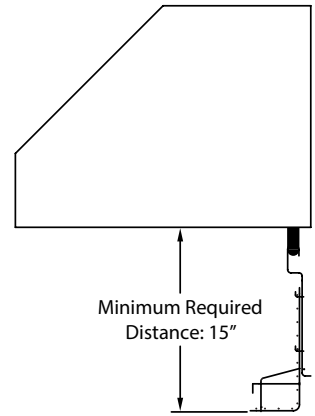
MODEL WR0

WR0 kit installed on hood includes mounting hardware, accessory rail, two hanger brackets, and two warming shelves with spice racks.



Model No.	Width	Price
WR030	30"	548
WR036	36"	555
WR042	42"	555
WR048	48"	576
WR054	54"	576
WR060	60"	576
WR066	66"	674
WR072	72"	694
UP TO 120"		694

SPECIAL WIDTH: USE NEXT LARGEST SIZE.



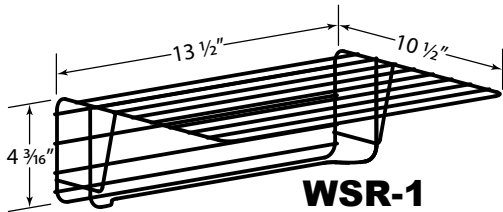
MODEL WR0L

For use with liner inserts. Specify exact width between cabinets. Use next largest size price for WR0 listed to the right. Kit includes mounting end caps, accessory rail, two hanger brackets, and two warming shelves with spice racks.

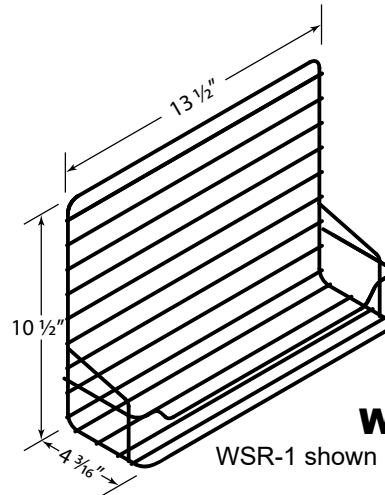
Hood must be at least 30" wide to allow sufficient space for two hanging brackets.

The minimum for hoods with the SL lip is 32" due to the decorative features of the SL lip.

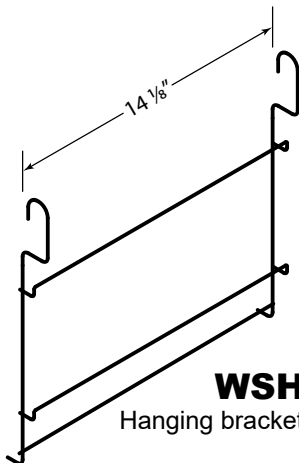
ADDITIONAL SHELVES/SPICE RACKS



WSR-1 shown in warming shelf position.



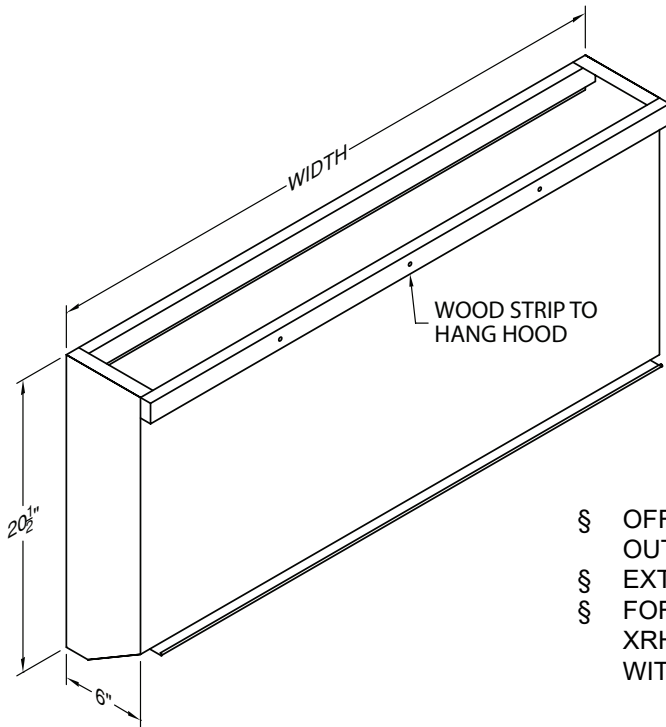
WSR-1 shown in spice rack position.



WSH-1
Hanging bracket for WSR-1.

Model No.	Description	Price
WSR-1	Warming Shelf/Rack	125
WSH-1	Hanging Bracket	70
WR0-EC	End Cap (2 Req.)	32

BBQ EXTENSION



Model No.	Width	Painted	Stainless
BBE30	30"	538	753
BBE36	36"	562	879
BBE42	42"	578	964
BBE48	48"	602	1028
BBE54	54"	626	1107
BBE60	60"	650	1180

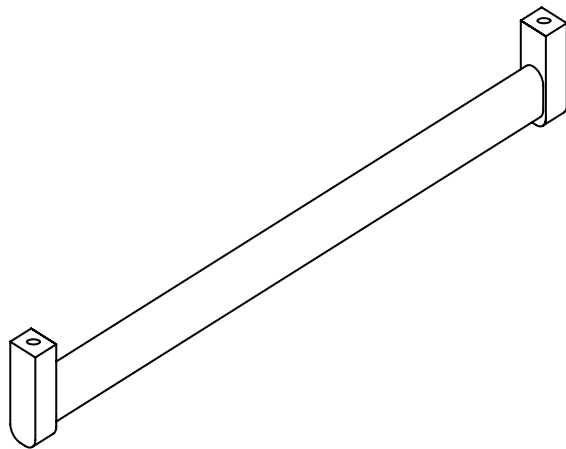
PRODUCT FEATURES

- § OFFERS MAXIMUM CANOPY EXPOSURE OVER OUTDOOR GRILL APPLICATIONS
- § EXTENDS PROJECTION TO 30" OR 33" DEEP
- § FOR USE WITH PRH18, PRXH18, NPH18, NPXH18, XRH18, OR XRXH18 MODELS WHEN NOT EQUIPPED WITH A WARMING BAR.

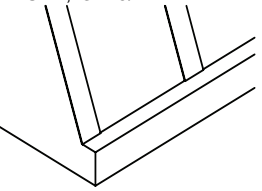

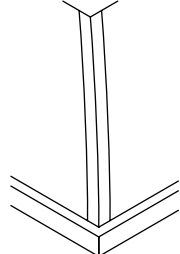
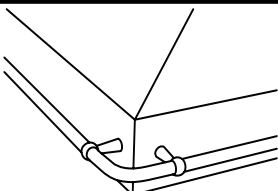
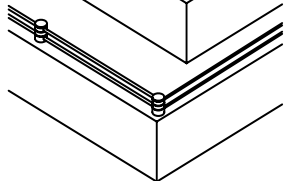

WR ACCESSORY RAIL

FOR USE WITH BBQ EXTENSION KIT.
AVAILABLE IN SS FINISH ONLY.


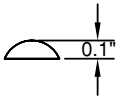
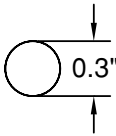

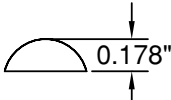
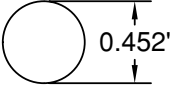

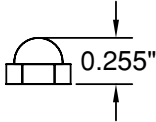
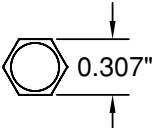
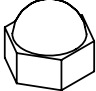
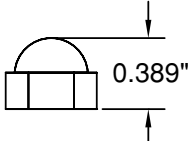
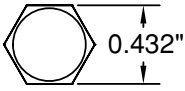
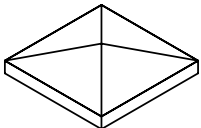
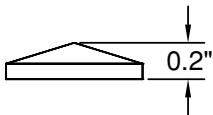
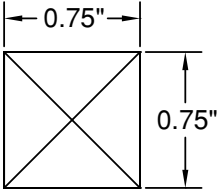
Model No.	Price
WR-30	146
WR-36	162
WR-42	162
WR-48	169
WR-54	169
WR-60	169



BANDS, FINISHES, & POT RAILS

VERTICAL BANDS		LIP TREATMENT (L/T)	
18 GAUGE*			
1/2" WIDE: EACH BAND (UP TO 30")	236	18 GAUGE, PER INCH, ADD	7.81*
1" WIDE: EACH BAND (UP TO 30")	236	1/8" THICK x 1" TALL SOLID BRASS, SOLID COPPER, OR BRUSHED SS PER INCH, ADD	8.60**
2" WIDE: EACH BAND (UP TO 30")	236	1/4" THICK x 1" TALL SOLID BRASS, SOLID COPPER, OR BRUSHED SS PER INCH, ADD	9.38**
TALLER THAN 30", PER INCH PER BAND, ADD	7.81		
<p>* 18 GAUGE VERTICAL BANDS ARE ATTACHED WITH LAMINATE. 18 GAUGE VERTICAL BANDS CAN BE ATTACHED WITH 1/4" RIVETS, 1/2" RIVETS, 3/8" HEX NUTS, 1/2" HEX NUTS, OR 3/4" PYRAMID CLAVOS BY REQUEST.</p> <p>HAMMERED COPPER MATERIAL IS THINNER THAN 18 GAUGE MATERIAL. ATTACHMENTS ARE REQUIRED FOR HAMMERED COPPER BANDS AND FOR BANDS ON HAMMERED COPPER HOODS.</p> 		<p>* 18 GAUGE L/T IS ATTACHED WITH LAMINATE. 18 GAUGE L/T CAN BE ATTACHED WITH 1/4" RIVETS, 1/2" RIVETS, 3/8" HEX NUTS, 1/2" HEX NUTS, OR 3/4" PYRAMID CLAVOS BY REQUEST. HAMMERED COPPER MATERIAL IS THINNER THAN 18 GAUGE MATERIAL. ATTACHMENTS ARE REQUIRED FOR LIP TREATMENT ON HAMMERED COPPER HOODS.</p> <p>** ATTACHED WITH 1/2" RIVETS. CAN BE ATTACHED WITH LAMINATE BY REQUEST.</p> 	
HEAVY VERTICAL BANDS		CORNER BANDS	
SOLID BRASS, SOLID COPPER, OR BRUSHED SS		CORNER BANDS FOR STRAIGHT EDGES*	
1/8" THICK x 1" WIDE, EACH (UP TO 30")	257	1" x 1", EACH (UP TO 30")	417
TALLER THAN 30" PER INCH PER BAND, ADD	8.60	2" x 2", EACH (UP TO 30")	417
1/4" THICK x 1" WIDE, EACH (UP TO 30")	281	TALLER THAN 30", PER INCH PER BAND, ADD	13.87
TALLER THAN 30", PER INCH PER BAND, ADD	9.38	CORNER BANDS FOR CONVEX/CONCAVE EDGES*	
1/8" THICK AND 1/4" THICK HEAVY VERTICAL BANDS ARE ATTACHED WITH 1/2" RIVETS. CAN BE ATTACHED WITH LAMINATE BY REQUEST.		1" x 1", EACH (UP TO 30")	833
		2" x 2", EACH (UP TO 30")	833
		TALLER THAN 30", PER INCH PER BAND, ADD	27.73
		<p>* ATTACHED WITH LAMINATE. CAN BE ATTACHED WITH 1/4" RIVETS, 1/2" RIVETS, 3/8" HEX NUTS, 1/2" HEX NUTS, OR 3/4" PYRAMID CLAVOS BY REQUEST.</p> <p>+1" x 1" ATTACHED WITH 1/4" RIVETS. 2" x 2" ATTACHED WITH 1/2" RIVETS. CAN BE ATTACHED WITH 3/8" HEX NUTS, 1/2" HEX NUTS, OR 3/4" PYRAMID CLAVOS BY REQUEST.</p> <p>AVAILABLE IN PAINTED FINISHES OR STAINLESS STEEL ONLY.</p> <p>ALL CORNER BANDS ARE 18 GAUGE.</p> 	
POT RAIL	GALLEY RAIL	FIXED RAIL	
			
TUBULAR (5/8" DIAMETER)	GALLEY RAIL	FIXED LENGTH SS RAIL (EACH)	
BRASS, CHROME, OR COPPER: PER INCH* 12.48 ADDITIONAL HOOKS AVAILABLE IN SS, COPPER, OR BRASS P011: EACH 11.09	STAINLESS STEEL: PER INCH 9.38	PR21 SS (19.53") 140	
* For pot rail that is less than the overall width or depth of the hood, charge for full width or depth. Examples- A 24" deep hood with 3" of pot rail on a side is priced as 24" of pot rail. A 48" wide hood with 36" of pot rail on the front is priced as 48" of pot rail.		PR24 SS (22.05") 161	
		PR27 SS (24.57") 174	
		PR30 SS (28.35") 210	
COLORS			
STANDARD Biscuit (BT) Black Carbide (BC) Black Satin (BL) Gunsmoke (GS) White (WH)	SPECIAL Black River (BR) Copper Vein (CV) Oil Rubbed Bronze (ORB) Pewter (PTR) Rust (RT) Silver Vein (SV) Slate (SL)	CUSTOM RAL Paint Colors A custom color chart is available for custom colors.	ANTIQUE, SATIN, BRUSHED Can be applied to: Brass/Copper Overlays ARTISAN Can be applied to: Stainless Steel Charge for <u>each</u> hood or duct cover.
ANTIQUE, BRUSHED, SATIN TRIM Brass Bands & L/T Copper Bands & L/T ARTISAN TRIM SS Bands & L/T Charge once for all trim on a hood and duct cover assembly.			
Color Charges: ADD NO CHARGE	324	863	1,173
			324

BAND & LIP TREATMENT ATTACHMENTS

1/4" RIVETS			
			<p>1/4" RIVETS ARE STANDARD ON 1" x 1" CONVEX/ CONCAVE CORNER BANDS.</p> <p>1/4" RIVETS ARE OPTIONAL ON 18 GA. LIP TREATMENT, 18 GA. VERTICAL BANDS, AND STRAIGHT CORNER BANDS. ADDITIONAL CHARGES MAY APPLY.</p> <p>1/4" RIVETS ARE AVAILABLE IN ALL BAND FINISHES (PAINTED TO MATCH).</p>
3D View	Side View	Top View	
1/2" RIVETS			
			<p>1/2" RIVETS ARE STANDARD ON 2" x 2" CONVEX/ CONCAVE CORNER BANDS AND ON HEAVY VERTICAL BANDS AND LIP TREATMENT.</p> <p>1/2" RIVETS ARE OPTIONAL ON 18 GA. LIP TREATMENT, 18 GA. VERTICAL BANDS, AND STRAIGHT CORNER BANDS. ADDITIONAL CHARGES MAY APPLY.</p> <p>1/2" RIVETS ARE AVAILABLE IN ALL BAND FINISHES (PAINTED TO MATCH).</p>
3D View	Side View	Top View	
3/8" HEX NUTS			
			<p>3/8" HEX NUTS ARE OPTIONAL ON 18 GA. LIP TREATMENT, 18 GA. VERTICAL BANDS, AND CORNER BANDS. ADDITIONAL CHARGES MAY APPLY.</p> <p>3/8" HEX NUTS ARE AVAILABLE IN ALL BAND FINISHES (BRASS, STAINLESS STEEL, OR PAINTED TO MATCH).</p>
3D View	Side View	Top View	
1/2" HEX NUTS			
			<p>1/2" HEX NUTS ARE OPTIONAL ON 18 GA. LIP TREATMENT, 18 GA. VERTICAL BANDS, AND CORNER BANDS. ADDITIONAL CHARGES MAY APPLY.</p> <p>1/2" HEX NUTS ARE AVAILABLE IN ALL BAND FINISHES (BRASS, STAINLESS STEEL, OR PAINTED TO MATCH).</p>
3D View	Side View	Top View	
3/4" PYRAMID CLAVOS			
			<p>3/4" PYRAMID CLAVOS ARE OPTIONAL ON 18 GA. LIP TREATMENT, 18 GA. VERTICAL BANDS, AND CORNER BANDS. ADDITIONAL CHARGES MAY APPLY.</p> <p>3/4" PYRAMID CLAVOS ARE AVAILABLE IN COPPER AND STAINLESS STEEL FINISHES.</p> <p>3/4" PYRAMID CLAVOS CAN BE ROTATED 45 DEGREES FOR A MORE DECORATIVE APPEARANCE. NOTE: 3/4" PYRAMID CLAVOS ARE OVER 1" WIDE WHEN TURNED TO A 45 DEGREE "DIAMOND" ANGLE.</p>
3D View	Side View	Top View	

NOTE: SECTION TITLES ARE ROUNDED FOR CONVENIENCE PURPOSES AND DO NOT REPRESENT EXACT SIZES.

STANDARD BAND & LIP TREATMENT ATTACHMENT METHODS

BAND/LIP TREATMENT	STANDARD ATTACHMENT	ADDITIONAL ATTACHMENT OPTIONS
18 Ga. Vertical Band/Lip Treatment	Laminate	1/4" Rivets, 1/2 Rivets, 3/8" Hex Nuts, 1/2" Hex Nuts, and 3/4" Pyramid Clavos
1/8" x 1" Vertical Band/Lip Treatment	1/2" Rivets	Laminate
1/4" x 1" Vertical Band/Lip Treatment	1/2" Rivets	Laminate
Straight Corner Band	Laminate	1/4" Rivets, 1/2" Rivets, 3/8" Hex Nuts, 1/2" Hex Nuts, and 3/4" Pyramid Clavos
Convex or Concave Corner Band	1" x 1" - 1/4" Rivets, 2" x 2" - 1/2" Rivets	1/2" Rivets, 3/8" Hex Nuts, 1/2" Hex Nuts, and 3/4" Pyramid Clavos

Decorative attachments will be placed by the factory for best appearance. To specify locations, add per inch

7.81

DESIGNER SERIES HOOD TRIMS



DECORATIVE LIP TRIM (18 GAUGE)

Hood Width	Wall Mount (Front Only)	Wall Mount (Front & Sides)	Island (All Sides)
36"	L/T-FO-36: \$282	L/T-FS-36: \$657	L/T-IA-36: \$1031
42"	L/T-FO-42: \$329	L/T-FS-42: \$703	L/T-IA-42: \$1125
48"	L/T-FO-48: \$375	L/T-FS-48: \$750	L/T-IA-48: \$1219
54"	L/T-FO-54: \$422	L/T-FS-54: \$797	L/T-IA-54: \$1313
60"	L/T-FO-60: \$469	L/T-FS-60: \$844	L/T-IA-60: \$1406
66"	L/T-FO-66: \$516	L/T-FS-66: \$891	L/T-IA-66: \$1500

SPECIFY ATTACHMENT METHOD AND FINISH.
 PRICING FOR TRIMS LISTED ABOVE APPLY TO THE BOTTOM LIP ONLY.
 SEE PAGE 56 FOR ALL AVAILABLE FINISH AND ATTACHMENT OPTIONS.

DECORATIVE LIP TRIM (18 GAUGE) 1" TALL, TOP & BOTTOM OF LIP

Hood Width	Wall Mount (Front Only)	Wall Mount (Front & Sides)	Island (All Sides)
36"	L/T-TB-FO-36: \$563	L/T-TB-FS-36: \$1313	L/T-TB-IA-36: \$2062
42"	L/T-TB-FO-42: \$657	L/T-TB-FS-42: \$1406	L/T-TB-IA-42: \$2250
48"	L/T-TB-FO-48: \$750	L/T-TB-FS-48: \$1500	L/T-TB-IA-48: \$2437
54"	L/T-TB-FO-54: \$844	L/T-TB-FS-54: \$1594	L/T-TB-IA-54: \$2625
60"	L/T-TB-FO-60: \$938	L/T-TB-FS-60: \$1687	L/T-TB-IA-60: \$2812
66"	L/T-TB-FO-66: \$1031	L/T-TB-FS-66: \$1781	L/T-TB-IA-66: \$3000

SPECIFY ATTACHMENT METHOD AND FINISH.
 PRICING FOR TRIMS LISTED ABOVE APPLY TO THE BOTTOM LIP ONLY.
 SEE PAGE 56 FOR ALL AVAILABLE FINISH AND ATTACHMENT OPTIONS.



HEAVY LIP TRIM (1/4") - 1" TALL, TOP & BOTTOM OF LIP

Hood Width	Wall Mount (Front Only)	Wall Mount (Front & Sides)	Island (All Sides)
36"	H L/T-TB-FO-36: \$676	H L/T-TB-FS-36: \$1576	H L/T-TB-IA-36: \$2477
42"	H L/T-TB-FO-42: \$788	H L/T-TB-FS-42: \$1689	H L/T-TB-IA-42: \$2702
48"	H L/T-TB-FO-48: \$901	H L/T-TB-FS-48: \$1801	H L/T-TB-IA-48: \$2927
54"	H L/T-TB-FO-54: \$1014	H L/T-TB-FS-54: \$1914	H L/T-TB-IA-54: \$3152
60"	H L/T-TB-FO-60: \$1126	H L/T-TB-FS-60: \$2027	H L/T-TB-IA-60: \$3377
66"	H L/T-TB-FO-66: \$1239	H L/T-TB-FS-66: \$2139	H L/T-TB-IA-66: \$3602

SPECIFY ATTACHMENT METHOD, PLACEMENT, AND FINISH.
 SEE PAGE 56 FOR ALL AVAILABLE FINISH AND ATTACHMENT OPTIONS.



DESIGNER SERIES HOOD TRIMS



DECORATIVE BANDS (18 GAUGE) - 1" OR 2" WIDE

Quantity	Price
2 Bands	2-VBAND: \$472
3 Bands	3-VBAND: \$708
4 Bands	4-VBAND: \$944
Additional Bands (ea.)	1-VBAND: \$236

SPECIFY WIDTH, PLACEMENT, FINISH, ATTACHMENT METHOD, AND ATTACHMENT FINISH.
 QUANTITIES ABOVE ARE PER HOOD OR DUCT COVER AND PER SIDE.
 SEE PAGE 56 FOR ALL AVAILABLE FINISH AND ATTACHMENT OPTIONS.

HEAVY BANDS (1/4") - 1" WIDE

Quantity	Price
2 Bands	2-H VBAND: \$562
3 Bands	3-H VBAND: \$843
4 Bands	4-H VBAND: \$1124
Additional Bands (ea.)	1-H VBAND: \$281

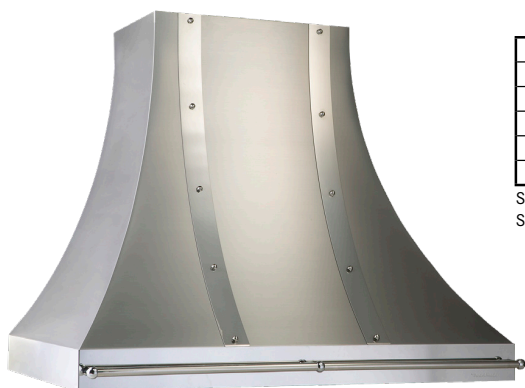
SPECIFY ATTACHMENT METHOD, PLACEMENT, AND FINISH.
 QUANTITIES ABOVE ARE PER HOOD OR DUCT COVER AND PER SIDE.
 SEE PAGE 56 FOR ALL AVAILABLE FINISH AND ATTACHMENT OPTIONS.



DECORATIVE POT RAIL

Hood Width	Wall Mount (Front Only)	Wall Mount (Front & Sides)	Island (All Sides)
36"	5/8"PR-FO-36: \$450	5/8"PR-FS-36: \$1049	5/8"PR-IA-36: \$1648
42"	5/8"PR-FO-42: \$525	5/8"PR-FS-42: \$1124	5/8"PR-IA-42: \$1798
48"	5/8"PR-FO-48: \$600	5/8"PR-FS-48: \$1199	5/8"PR-IA-48: \$1947
54"	5/8"PR-FO-54: \$674	5/8"PR-FS-54: \$1273	5/8"PR-IA-54: \$2097
60"	5/8"PR-FO-60: \$749	5/8"PR-FS-60: \$1348	5/8"PR-IA-60: \$2247
66"	5/8"PR-FO-66: \$824	5/8"PR-FS-66: \$1423	5/8"PR-IA-66: \$2397

SPECIFY PLACEMENT AND FINISH.
 SEE PAGE 56 FOR ALL AVAILABLE FINISH OPTIONS.



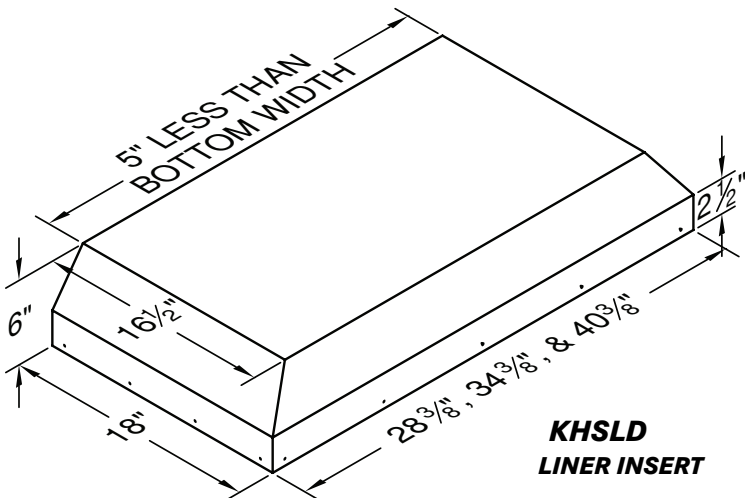
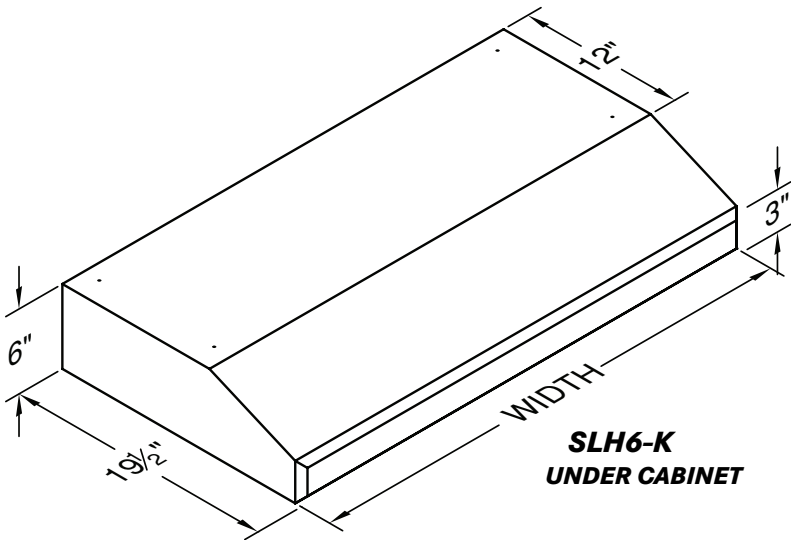
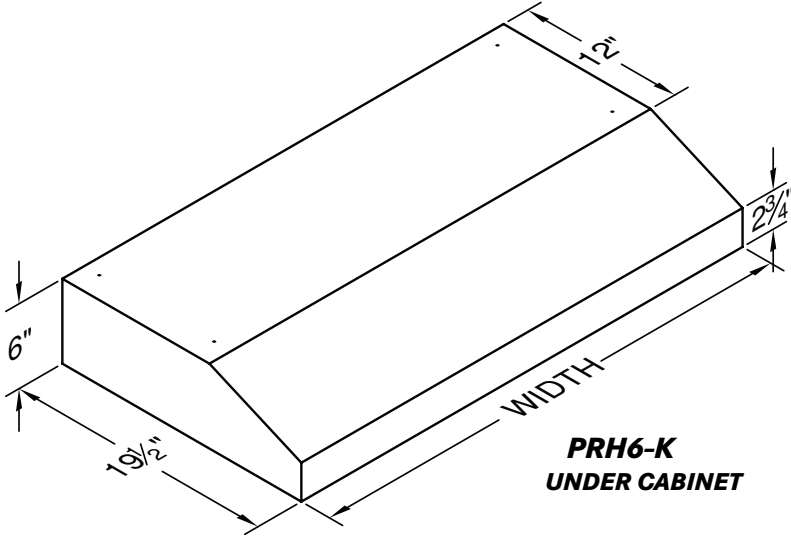
VentA Hood®

POWER LUNG RANGE HOODS

V-LINE UNDER CABINET & LINER INSERT

REC. MOUNTING HEIGHT FROM COOKING SURFACE: 21"-24"

OPTIONAL TRANSITION TO 7" ROUND: VP521



PRH6-K

Model No.	CFM	Width	Painted	Stainless	# Lts
PRH6-K24	250	24"	623	749	2
PRH6-K30		30"	623	749	2
PRH6-K36		36"	623	749	2
PRH6-K42		42"	731	906	3

SLH6-K

Model No.	CFM	Width	Painted	Stainless	# Lts
SLH6-K24	250	24"	623	749	2
SLH6-K30		30"	623	749	2
SLH6-K36		36"	623	749	2
SLH6-K42		42"	731	906	3

KHS LD

Model No.	CFM	Width	Painted	Stainless	# Lts
KH28SLD	250	28 3/8"	563	688	2
KH34SLD		34 3/8"	563	688	2
KH40SLD		40 3/8"	668	806	2

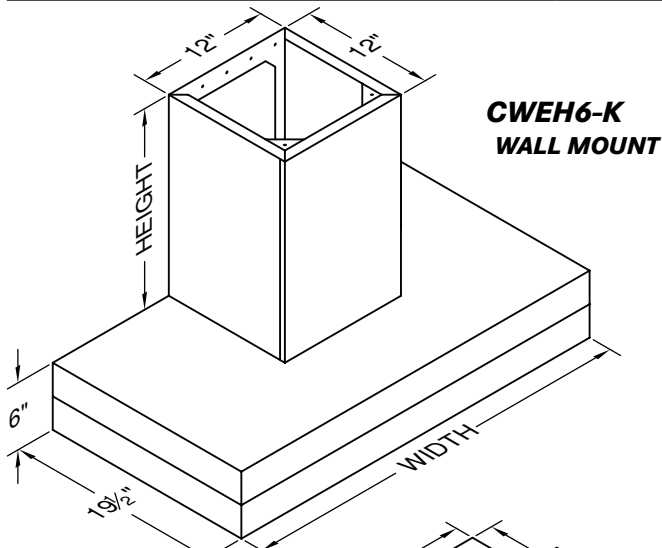
OPTIONAL TRIM KITS

Model No.	Width	Painted	Stainless
TKK28SLD	28-3/8"	25.00	25.00
TKK34SLD	34-3/8"	25.00	25.00
TKK40SLD	40-3/8"	26.00	26.00

V-LINE CONTEMPORARY WALL MOUNT & ISLAND

REC. MOUNTING HEIGHT FROM COOKING SURFACE:
CIEH6-K & GTH-K: 24", CIEH6-K: 30"

OPTIONAL TRANSITION TO 7" ROUND: VP521



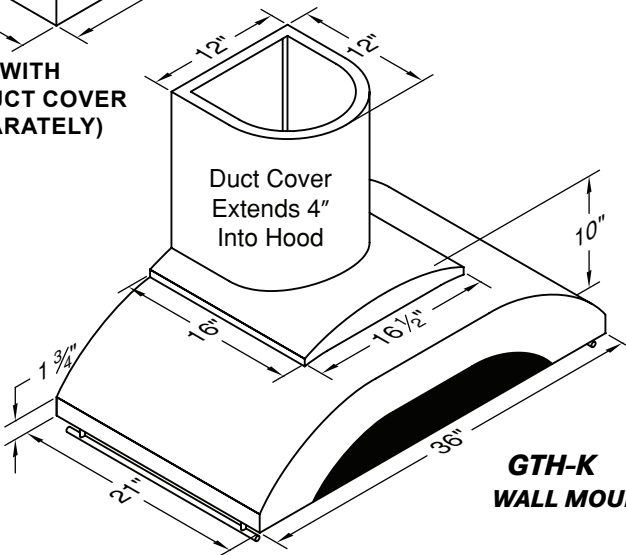
**CWEH6-K
WALL MOUNT**

CWEH6-K					
Model No.	CFM	Width	Painted	Stainless	# Lts
CWEH6-K30	250	30"	1,121	1,424	2
CWEH6-K36		36"	1,121	1,424	2
CWEH6-K42		42"	1,309	1,666	3
CWEH6-K48		48"	1,373	1,730	3

DUCT COVERS FOR CWEH6-K					
Model No.	Width	Height	Painted	Stainless	Ceiling
W6DCRND-12/18	12"	18"	527	594	7'
W6DCRND-12/30		30"	600	711	8'
W6DCRND-12/42		42"	672	829	9'
CUSTOM	WIDTH X HEIGHT X PLUS		0.57	0.92	
			473		
FINISHED TOP	WIDTH X DEPTH X PLUS		0.57	0.92	
			276		
SLOPED TOP •	ADD		473		

CEILING BASED ON REC. MAXIMUM HOOD MOUNTING HEIGHT.
• SPECIFY FRONT TO BACK OR LEFT TO RIGHT DIMENSIONS.

SHOWN WITH
MATCHING DUCT COVER
(SOLD SEPARATELY)



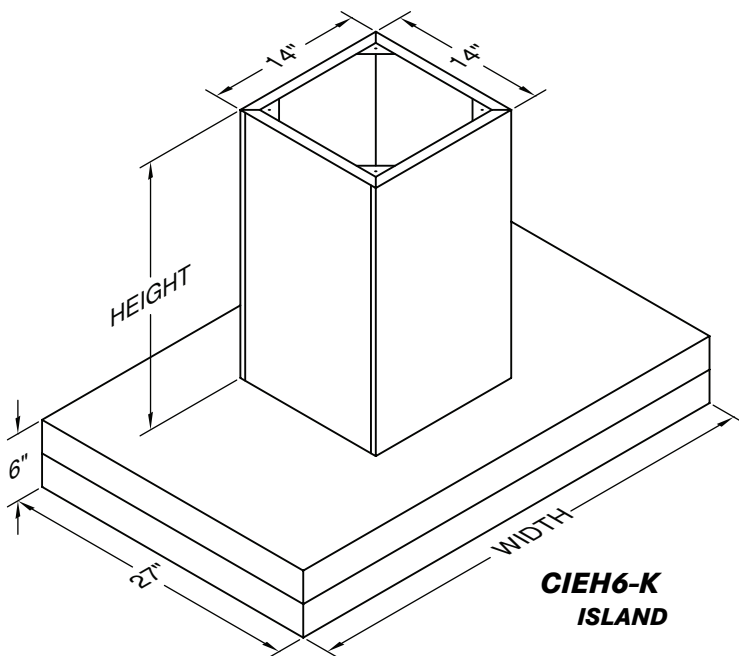
**GTH-K
WALL MOUNT**

GTH-K					
Model No.	CFM	Width	Stainless	# Lts	
GTH-K36	250	36"	1,373	2	

DUCT COVERS FOR GTH-K					
Model No.	Width	Height	Stainless	Ceiling	
WGDC-12/18	12"	18"	640	7'	
WGDC-12/30		30"	770	8'	
WGDC-12/42		42"	901	9'	
CUSTOM	WIDTH X HEIGHT X PLUS		0.92		
			473		

CEILING BASED ON REC. MAXIMUM HOOD MOUNTING HEIGHT.

GTH-K VARIATIONS	
REMOVE FIXED LENGTH SS RAIL	
ADD	276



**CIEH6-K
ISLAND**

CIEH6-K					
Model No.	CFM	Width	Painted	Stainless	# Lts
CIEH6-K36	250	36"	1,848	2,737	4
CIEH6-K42		42"	1,947	2,886	4

DUCT COVERS FOR CIEH6-K					
Model No.	Width	Height	Painted	Stainless	Ceiling
IDCRND-14/24	12"	24"	656	733	9'
IDCRND-14/36		36"	770	887	10'
CUSTOM	WIDTH X HEIGHT X PLUS		0.76	1.02	
			473		
SLOPED TOP •	ADD		473		

CEILING BASED ON REC. MAXIMUM HOOD MOUNTING HEIGHT.
• SPECIFY FRONT TO BACK OR LEFT TO RIGHT DIMENSIONS.

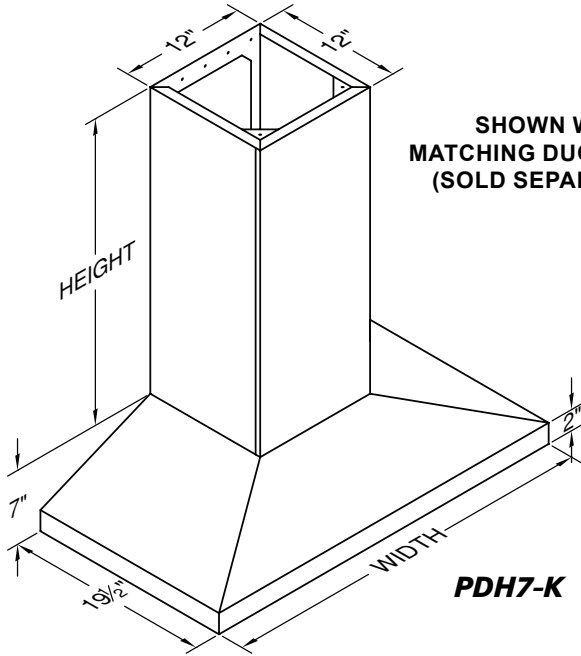
SHOWN WITH
MATCHING DUCT COVER
(SOLD SEPARATELY)

V-LINE EURO-STYLE WALL MOUNT

REC. MOUNTING HEIGHT FROM COOKING SURFACE: 24"

PDH7-K OPTIONAL TRANSITION TO 7" ROUND: VP521

PDH14-K: TRANSITION TO 7" ROUND INCLUDED



SHOWN WITH MATCHING DUCT COVER (SOLD SEPARATELY)

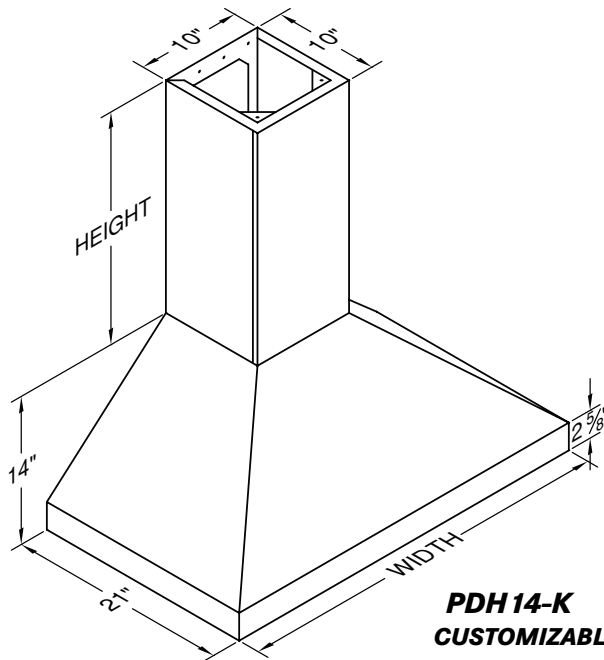
PDH7-K

Model No.	CFM	Width	Painted	Stainless	# Lts
PDH7-K30	250	30"	1,121	1,424	2
PDH7-K36		36"	1,121	1,424	2

DUCT COVERS FOR PDH7-K

Model No.	Width	Height	Painted	Stainless	Ceiling
W7DCRND-12/17	12"	17"	523	582	7'
W7DCRND-12/29		29"	598	699	8'
W7DCRND-12/41		41"	670	816	9'
CUSTOM	WIDTH X HEIGHT X PLUS		0.57	0.92	
				473	
FINISHED TOP	WIDTH X DEPTH X PLUS		0.57	0.92	
				276	
SLOPED TOP •		ADD		473	

CEILING BASED ON REC. MAXIMUM HOOD MOUNTING HEIGHT.
• SPECIFY FRONT TO BACK OR LEFT TO RIGHT DIMENSIONS.



PDH14-K

Model No.	CFM	Width	Painted	Stainless	Overlay •	# Lts
PDH14-K30	250	30"	1,234	1,706	2,453	2
PDH14-K36		36"	1,259	1,745	2,545	2
PDH14-K42		42"	1,325	1,873	2,781	3
PDH14-K48		48"	1,386	1,942	2,926	3

• FOR OVERLAY HOODS, SPECIFY INTERIOR COLOR.
VP521 TRANSITION TO 7" ROUND INCLUDED.

DUCT COVERS FOR PDH14-K

Model No.	Width	Height	Painted	Stainless	Overlay	Ceiling
WDCRND-10/10	10"	10"	459	499	539	7'
WDCRND-10/22		22"	526	594	689	8'
WDCRND-10/34		34"	594	689	836	9'
CUSTOM	WIDTH X HEIGHT X PLUS		0.57	0.92	1.44	
				473		
FINISHED TOP	WIDTH X DEPTH X PLUS		0.49	0.79	1.23	
				237		
SLOPED TOP •		ADD		405		

CEILING BASED ON REC. MAXIMUM HOOD MOUNTING HEIGHT.
• SPECIFY FRONT TO BACK OR LEFT TO RIGHT DIMENSIONS.

SHOWN WITH MATCHING DUCT COVER (SOLD SEPARATELY)

PDH14-K EURO-STYLE WALL MOUNT HOOD VARIATIONS

SPECIAL WIDTH (LESS THAN 48") USE NEXT LARGEST SIZE ON PRICE LIST, PLUS				276
DEPTH OVER 21"				
WIDTH X EXTRA DEPTH X PLUS	PAINTED	STAINLESS	OVERLAY	
	1.37	2.01	2.73	
				473
	STAINLESS STEEL INTERIOR ON OVERLAY HOOD SUBTRACT PAINTED HOOD PRICE FROM STAINLESS HOOD PRICE			
	CUSTOM COLOR (SEE CUSTOM COLOR CHART) ADD			
				863
	TRIM OPTIONS SEE PAGES 56-57 FOR FINISH AND TRIM OPTIONS			

VentAhood®

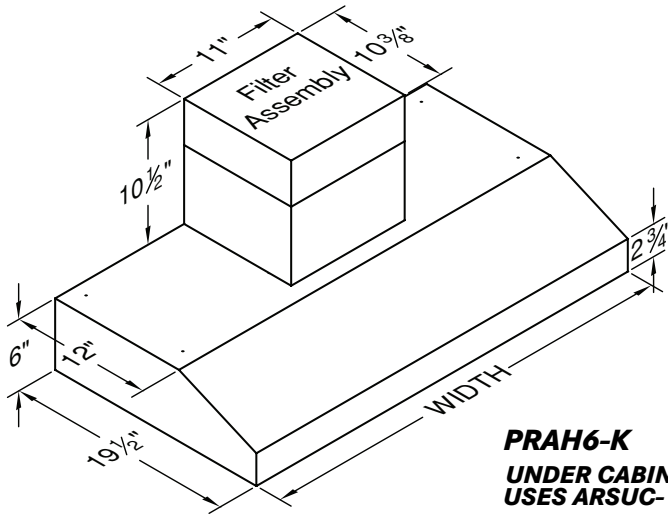
ARS DUCT FREE RANGE HOODS



ARS DUCT FREE UNDER CABINET & LINER INSERT

REC. MOUNTING HEIGHT FROM COOKING SURFACE: 21"-24"

ARS FILTER KIT REQUIRED (SOLD SEPARATELY)

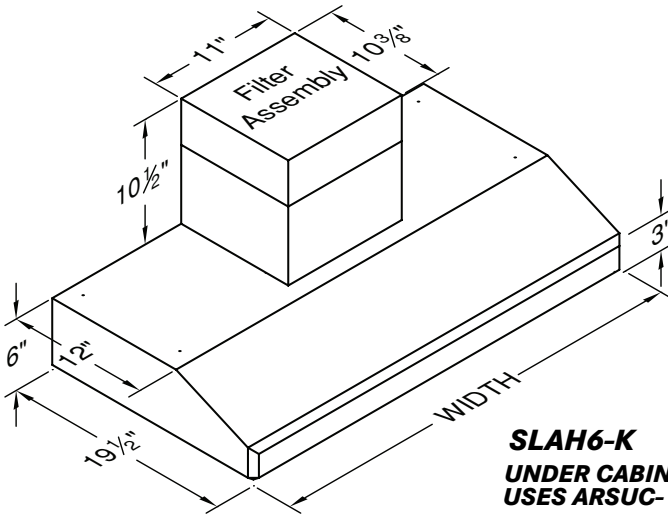


PRAH6-K
UNDER CABINET
USES ARSUC-12/10

PRAH6-K

Model No.	ARS Kit •	Width	Painted	Stainless	# Lts
PRAH6-K24	ARSUC-12/10	24"	635	763	2
PRAH6-K30		30"	635	763	2
PRAH6-K36		36"	635	763	2
PRAH6-K42		42"	745	923	3

*ARS KIT IS REQUIRED FOR INSTALLATION, SOLD SEPARATELY.

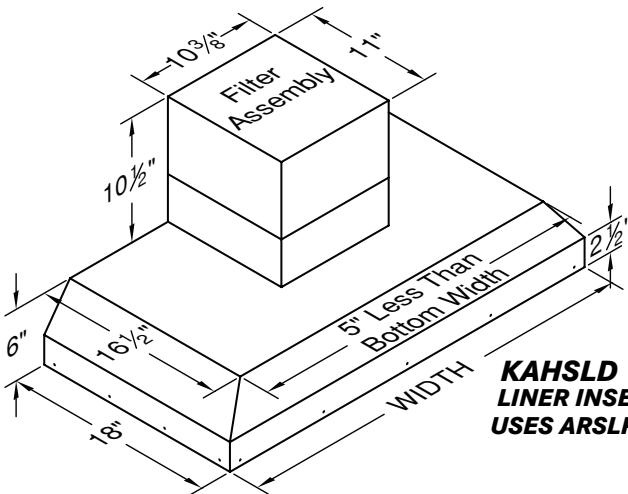


SLAH6-K
UNDER CABINET
USES ARSUC-12/10

SLAH6-K

Model No.	ARS Kit •	Width	Painted	Stainless	# Lts
SLAH6-K24	ARSUC-12/10	24"	635	763	2
SLAH6-K30		30"	635	763	2
SLAH6-K36		36"	635	763	2
SLAH6-K42		42"	745	923	3

*ARS KIT IS REQUIRED FOR INSTALLATION, SOLD SEPARATELY.



KAHSLD
LINER INSERT
USES ARSLP-12/10

KAHSLD

Model No.	ARS Kit •	Width	Painted	Stainless	# Lts
KAH28SLD	ARSLP-12/10	28 3/8"	569	695	2
KAH34SLD		34 3/8"	569	695	2
KAH40SLD		40 3/8"	675	814	2

*ARS KIT IS REQUIRED FOR INSTALLATION, SOLD SEPARATELY.

OPTIONAL TRIM KITS

Model No.	Width	Painted	Stainless
TKK28SLD	28-3/8"	25.00	25.00
TKK34SLD	34-3/8"	25.00	25.00
TKK40SLD	40-3/8"	26.00	26.00

ARS FILTER KITS

Model No.	Description	Price
ARSLP-12/10	ARS Filter Assembly - Low Profile (Replaces ARSLP-12)	308
ARSUC-12/10	ARS Filter Assembly - Under Cabinet (Replaces ARSUC-12)	308

ARS FILTER REPLACEMENT PARTS

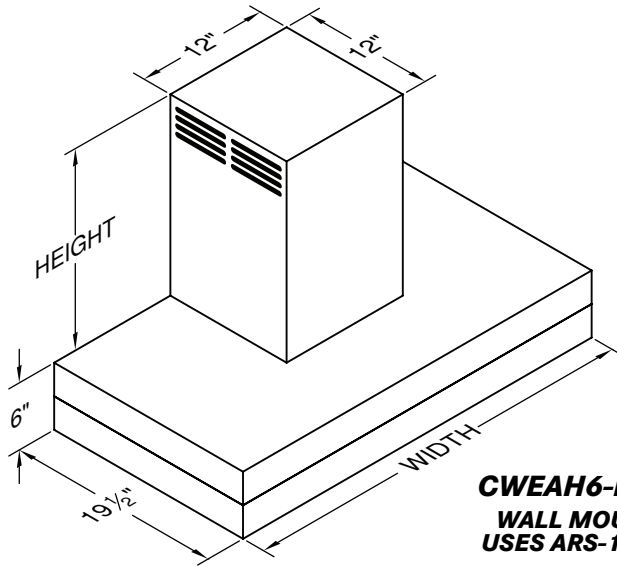
Model No.	Description	Price
PARS-12/10	H.E. Filter Assembly (Replaces PARS-12)	233
PARS-C	Replacement Activated Carbon Pellets	74

THE H.E. FILTER ASSEMBLY AND ACTIVATED CARBON MEDIA SHOULD BE CHANGED AS NEEDED BASED ON USAGE.

ARS DUCT FREE CONTEMPORARY WALL MOUNT & ISLAND

REC. MOUNTING HEIGHT FROM COOKING SURFACE:
CWEAH6-K: 21"-24", CIEAH6-K: 30"

ARS FILTER KIT REQUIRED
(SOLD SEPARATELY)



CWEAH6-K

Model No.	ARS Kit •	Width	Painted	Stainless	# Lts
CWEAH6-K30	ARS-12/10	30"	1,042	1,319	2
CWEAH6-K36		36"	1,042	1,319	2
CWEAH6-K42		42"	1,207	1,540	3
CWEAH6-K48		48"	1,264	1,580	3

• ARS KIT IS REQUIRED FOR INSTALLATION, SOLD SEPARATELY.

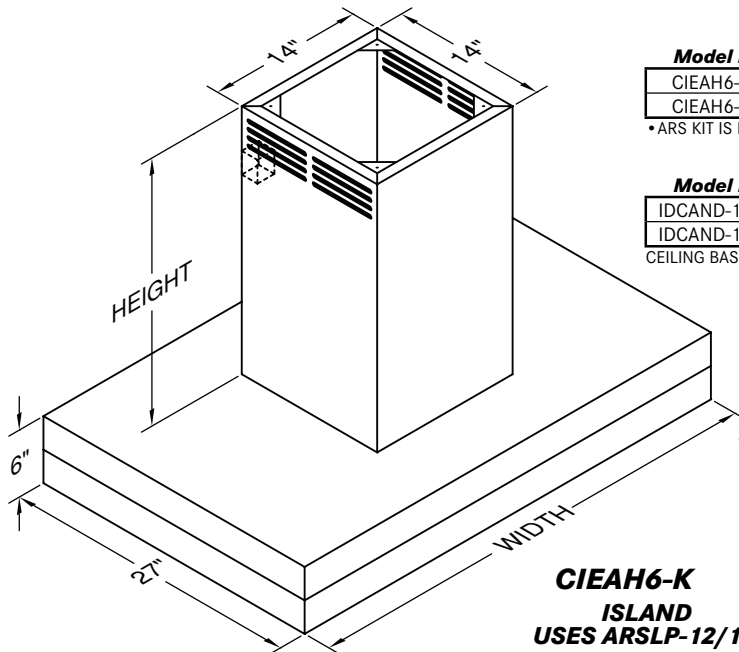
DUCT COVERS FOR CWEAH6-K

Model No.	Width	Height	Painted	Stainless	Ceiling
W6DCAND-12/18	12"	18"	689	741	7'
W6DCAND-12/30		30"	754	849	8'
W6DCAND-12/42		42"	822	944	9'

CEILING BASED ON REC. MAXIMUM HOOD MOUNTING HEIGHT.

SHOWN WITH MATCHING DUCT COVER AND ARS-12/10 FILTER KIT (SOLD SEPARATELY)

CWEAH6-K
WALL MOUNT
USES ARS-12/10



CIEAH6-K

Model No.	ARS Kit •	Width	Painted	Stainless	# Lts
CIEAH6-K36	ARSLP-12/10	36"	1,884	2,511	4
CIEAH6-K42		42"	1,984	2,647	4

• ARS KIT IS REQUIRED FOR INSTALLATION, SOLD SEPARATELY.

DUCT COVERS FOR CIEAH6-K

Model No.	Width	Height	Painted	Stainless	Ceiling
IDCAND-14/24	14"	24"	797	876	8'
IDCAND-14/36		36"	912	1,029	9'

CEILING BASED ON REC. MAXIMUM HOOD MOUNTING HEIGHT.

SHOWN WITH MATCHING DUCT COVER AND ARSLP-12 FILTER KIT (SOLD SEPARATELY)

CIEAH6-K
ISLAND
USES ARSLP-12/10

ARS FILTER KITS

Model No.	Description	Price
ARS-12/10	ARS Filter Assembly for CWEAH6-K (Replaces ARS-12)	490
ARSLP-12/10	ARS Filter Assembly - Low Profile (Replaces ARSLP-12)	308

ARS FILTER REPLACEMENT PARTS

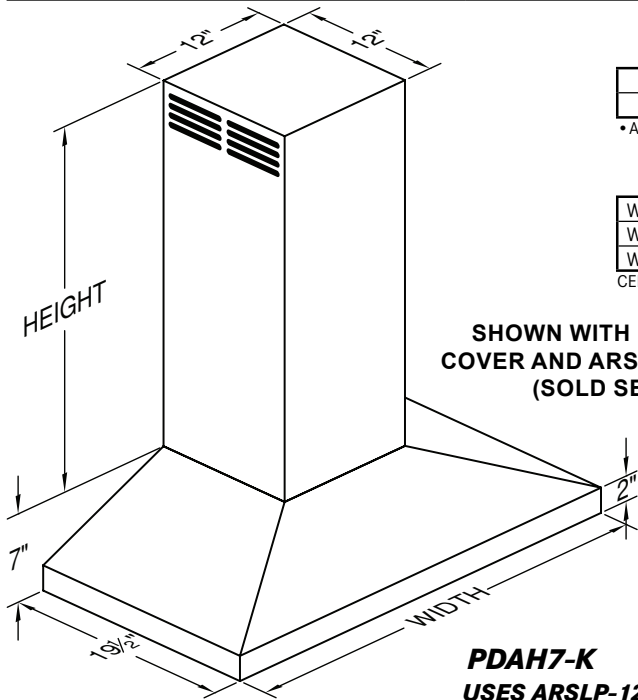
Model No.	Description	Price
PARS-12/10	H.E. Filter Assembly (Replaces PARS-12)	233
PARS-C	Replacement Activated Carbon Pellets	74

THE H.E. FILTER ASSEMBLY AND ACTIVATED CARBON MEDIA SHOULD BE CHANGED AS NEEDED BASED ON USAGE.

ARS DUCT FREE EURO-STYLE WALL MOUNT

REC. MOUNTING HEIGHT FROM COOKING SURFACE: 24"

ARS FILTER KIT REQUIRED (SOLD SEPARATELY)



SHOWN WITH MATCHING DUCT COVER AND ARSLP-12/10 FILTER KIT (SOLD SEPARATELY)

PDAH7-K

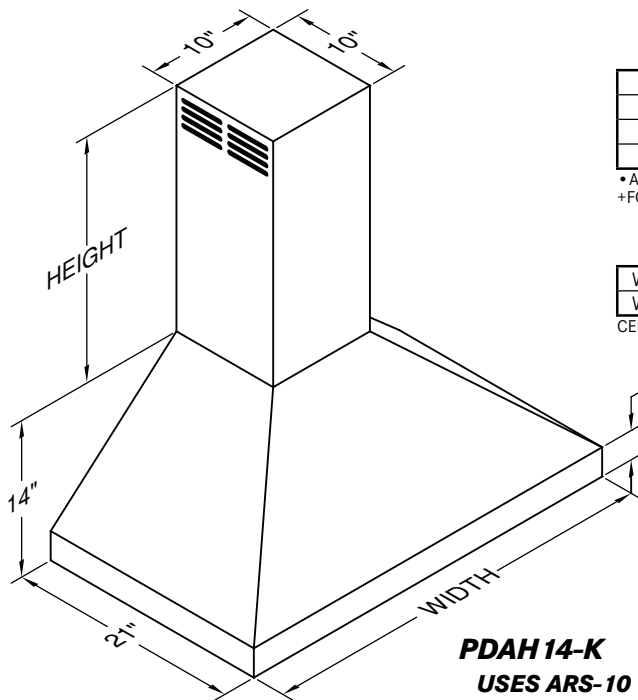
Model No.	ARS Kit •	Width	Painted	Stainless	# Lts
PDAH7-K30	ARSLP-12/10	30"	1,185	1,506	2
PDAH7-K36		36"	1,185	1,506	2

• ARS KIT IS REQUIRED FOR INSTALLATION, SOLD SEPARATELY.

DUCT COVERS FOR PDAH7-K

Model No.	Width	Height	Painted	Stainless	Ceiling
W7DCAND-12/17	12"	17"	682	733	7'
W7DCAND-12/29		29"	749	841	8'
W7DCAND-12/41		41"	817	935	9'

CEILING BASED ON REC. MAXIMUM HOOD MOUNTING HEIGHT.



SHOWN WITH MATCHING DUCT COVER AND ARS FILTER KIT (SOLD SEPARATELY)

PDAH14-K

Model No.	ARS Kit •	Width	Painted	Stainless	Overlay+	# Lts
PDAH14-K30	ARS-10	30"	1,305	1,803	2,593	2
PDAH14-K36		36"	1,331	1,844	2,690	2
PDAH14-K42		42"	1,400	1,980	2,940	3
PDAH14-K48		48"	1,466	2,053	3,093	3

• ARS KIT IS REQUIRED FOR INSTALLATION, SOLD SEPARATELY.
+ FOR OVERLAY HOODS, SPECIFY INTERIOR COLOR.

DUCT COVERS FOR PDAH14-K

Model No.	Width	Height	Painted	Stainless	Overlay	Ceiling
WDCAND-10/22	10"	22"	689	754	836	8'
WDCAND-10/34		34"	741	836	972	9'

CEILING BASED ON REC. MAXIMUM HOOD MOUNTING HEIGHT.

ARS FILTER KITS

Model No.	Description	Price
ARS-10	ARS Filter Assembly for PDAH14-K	490
ARSLP-12/10	ARS Filter Assembly - Low Profile (Replaces ARSLP-12)	308

ARS FILTER REPLACEMENT PARTS

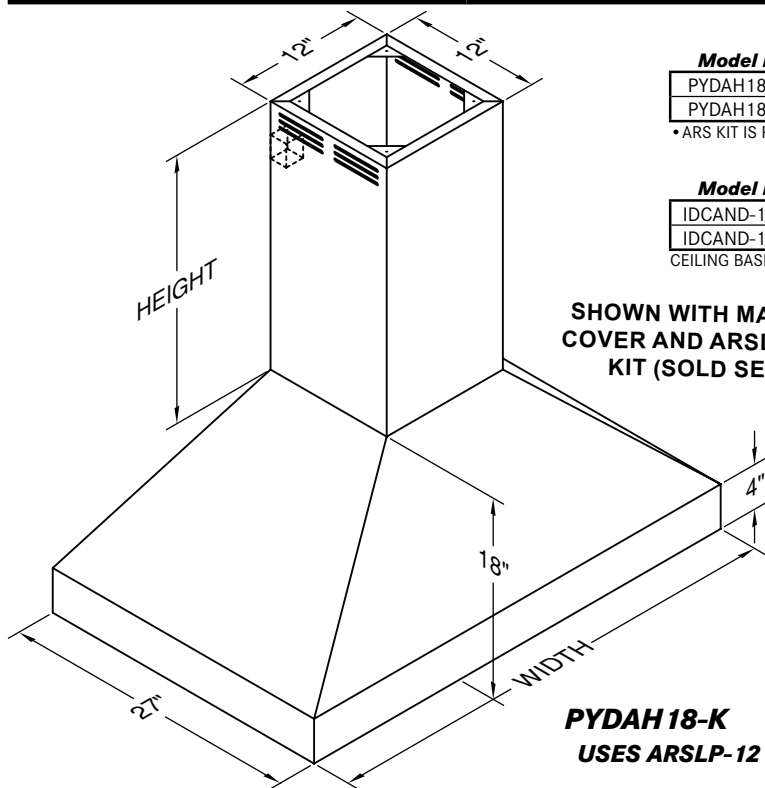
Model No.	Description	Price
PARS-12/10	H.E. Filter Assembly (Replaces PARS-12)	233
PARS-C	Replacement Activated Carbon Pellets	74

THE H.E. FILTER ASSEMBLY AND ACTIVATED CARBON MEDIA SHOULD BE CHANGED AS NEEDED BASED ON USAGE.

ARS DUCT FREE EURO-STYLE ISLAND

REC. MOUNTING HEIGHT FROM COOKING SURFACE: 30"

ARS FILTER KIT REQUIRED (SOLD SEPARATELY)



PYDAH 18-K

Model No.	ARS Kit •	Width	Painted	Stainless	# Lts
PYDAH 18-K36	ARSLP-12/10	36"	3,106	4,227	4
PYDAH 18-K42		42"	3,239	4,405	4

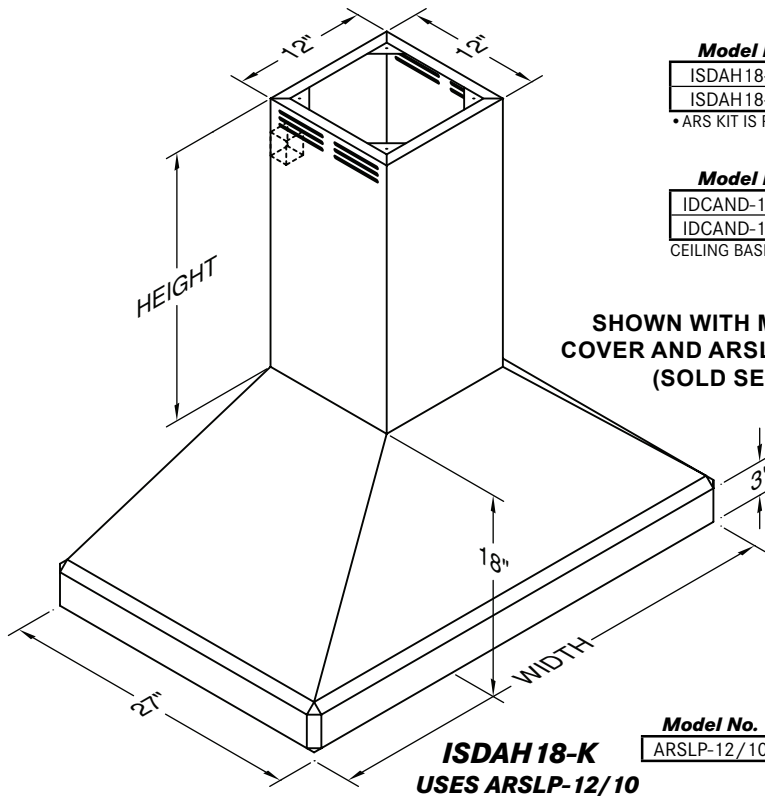
• ARS KIT IS REQUIRED FOR INSTALLATION, SOLD SEPARATELY.

DUCT COVERS FOR PYDAH 18-K

Model No.	Width	Height	Painted	Stainless	Ceiling
IDCAND-12/24	12"	24"	769	866	9'
IDCAND-12/36		36"	838	962	10'

CEILING BASED ON REC. MAXIMUM HOOD MOUNTING HEIGHT.

SHOWN WITH MATCHING DUCT COVER AND ARSLP-12/10 FILTER KIT (SOLD SEPARATELY)



ISDAH 18-K

Model No.	ARS Kit •	Width	Painted	Stainless	# Lts
ISDAH 18-K36	ARSLP-12/10	36"	3,679	4,832	4
ISDAH 18-K42		42"	3,810	5,010	4

• ARS KIT IS REQUIRED FOR INSTALLATION, SOLD SEPARATELY.

DUCT COVERS FOR ISDAH 18-K

Model No.	Width	Height	Painted	Stainless	Ceiling
IDCAND-12/24	12"	24"	769	866	9'
IDCAND-12/36		36"	838	962	10'

CEILING BASED ON REC. MAXIMUM HOOD MOUNTING HEIGHT.

SHOWN WITH MATCHING DUCT COVER AND ARSLP-12/10 FILTER KIT (SOLD SEPARATELY)

ARS FILTER KITS

Model No.	Description	Price
ARSLP-12/10	ARS Filter Assembly - Low Profile (Replaces ARSLP-12)	308

ARS FILTER REPLACEMENT PARTS

Model No.	Description	Price
PARS-12/10	H.E. Filter Assembly (Replaces PARS-12)	233
PARS-C	Replacement Activated Carbon Pellets	74

THE H.E. FILTER ASSEMBLY AND ACTIVATED CARBON MEDIA SHOULD BE CHANGED AS NEEDED BASED ON USAGE.

VentAhood®

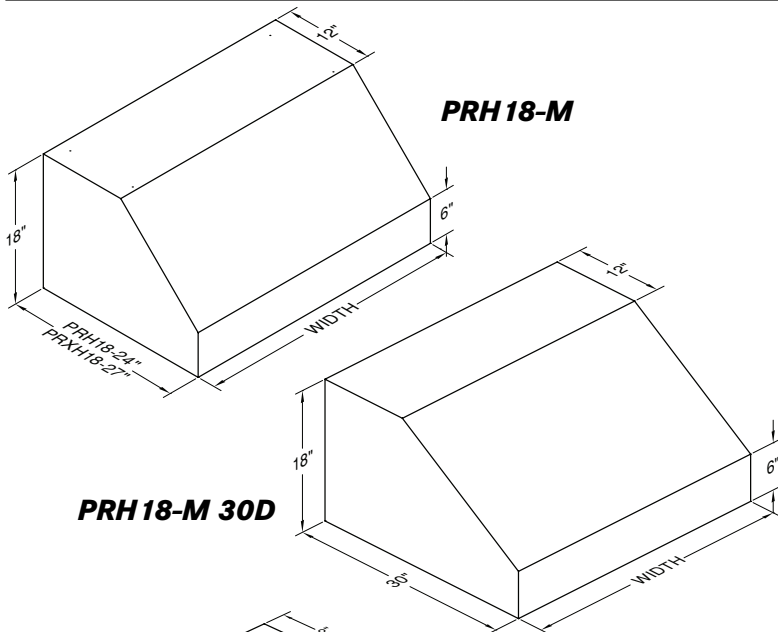
M SERIES RANGE HOODS



M SERIES WALL MOUNT

REC. MOUNTING HEIGHT FROM COOKING SURFACE: 30"

BLOWER ASSEMBLY REQUIRED (SOLD SEPARATELY)



PRH 18-M/PRXH 18-M

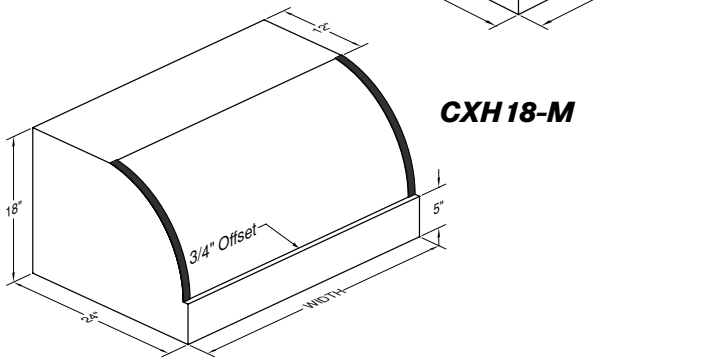
Model No.	Width	Price	# Lts	Filters
PRH 18-M30 SS	30"	1,374	2	2
PRH 18-M36 SS	36"	1,398	2	2
PRH 18-M42 SS	42"	1,511	2	2
PRH 18-M48 SS	48"	1,595	3	3
PRH 18-M54 SS	54"	1,950	4	3
PRH 18-M60 SS	60"	2,117	4	4
PRH 18-M66 SS	66"	2,261	4	4

FOR 27" DEEP MODEL, ORDER PRXH18-M (NO ADDITIONAL COST)
BLOWER SOLD SEPARATELY
STAINLESS STEEL BAFFLE FILTERS AND GU10 LIGHTING INCLUDED.

PRH 18-M 30"D

Model No.	Width	Price	# Lts	Filters
PRH 18-M36x30 SS	36"	2,067	2	2
PRH 18-M42x30 SS	42"	2,274	2	2
PRH 18-M48x30 SS	48"	2,429	3	3
PRH 18-M54x30 SS	54"	2,862	4	3

BLOWER SOLD SEPARATELY
STAINLESS STEEL BAFFLE FILTERS AND GU10 LIGHTING INCLUDED.



CXH 18-M

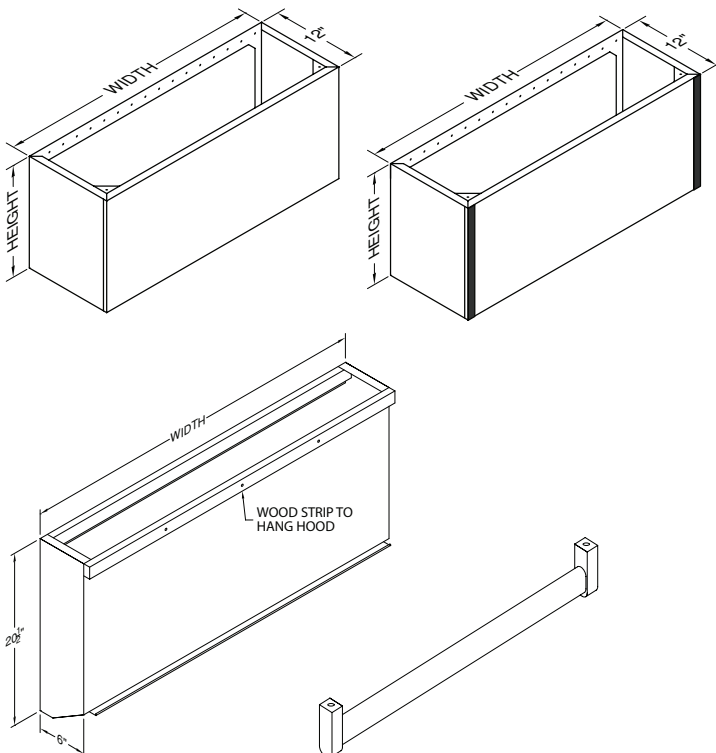
Model No.	Width	Price	# Lts	Filters
CXH 18-M30 SS	30"	1,756	2	2
CXH 18-M36 SS	36"	1,780	2	2
CXH 18-M42 SS	42"	1,900	2	2
CXH 18-M48 SS	48"	2,043	3	3
CXH 18-M54 SS	54"	2,362	4	3
CXH 18-M60 SS	60"	2,541	4	4
CXH 18-M66 SS	66"	2,765	4	4

BLOWER SOLD SEPARATELY
STAINLESS STEEL BAFFLE FILTERS AND GU10 LIGHTING INCLUDED.
1" STAINLESS STEEL BANDS INCLUDED.

WALL MOUNT DUCT COVER OPTIONS

Model No.	Width	Height	Price	Ceiling
WDCM-30 SS	30"	12"	535	8'
WDCM-30/24 SS		24"	757	9'
WDCM-30/36 SS		36"	980	10'
WDCM-36 SS	36"	12"	579	8'
WDCM-36/24 SS		24"	846	9'
WDCM-36/36 SS		36"	1,110	10'
WDCM-42 SS	42"	12"	625	8'
WDCM-42/24 SS		24"	936	9'
WDCM-42/36 SS		36"	1,244	10'
WDCM-48 SS	48"	12"	668	8'
WDCM-48/24 SS		24"	1,023	9'
WDCM-48/36 SS		36"	1,377	10'
WDCM-54 SS	54"	12"	713	8'
WDCM-60 SS	60"	12"	757	8'
WDCM-66 SS	66"	12"	802	8'

USE XDCM MODEL NUMBER PREFIX FOR CXH 18-M HOODS.
1" STAINLESS STEEL BANDS INCLUDED ON XDCM MODELS.
CEILING BASED ON REC. MAXIMUM HOOD MOUNTING HEIGHT.



M SERIES BBQ EXTENSION

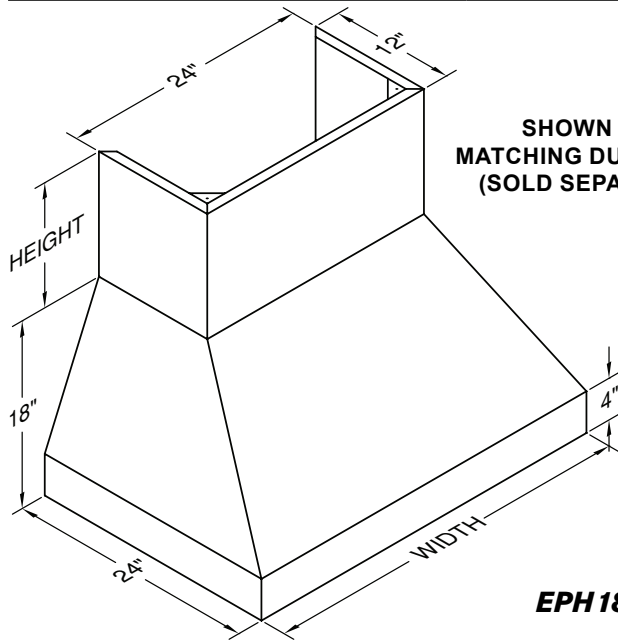
Model No.	Width	Price	WR Rail	Price
BBE-M30 SS	30"	523	WR-M30	109
BBE-M36 SS	36"	615	WR-M36	122
BBE-M42 SS	42"	674	WR-M42	122
BBE-M48 SS	48"	721	WR-M48	129
BBE-M54 SS	54"	773	WR-M54	129
BBE-M60 SS	60"	825	WR-M60	129

WR RAIL SOLD SEPARATELY
FOR USE ON CXH18-M, PRH18-M, AND PRXH18-M

M SERIES EURO-STYLE WALL MOUNT

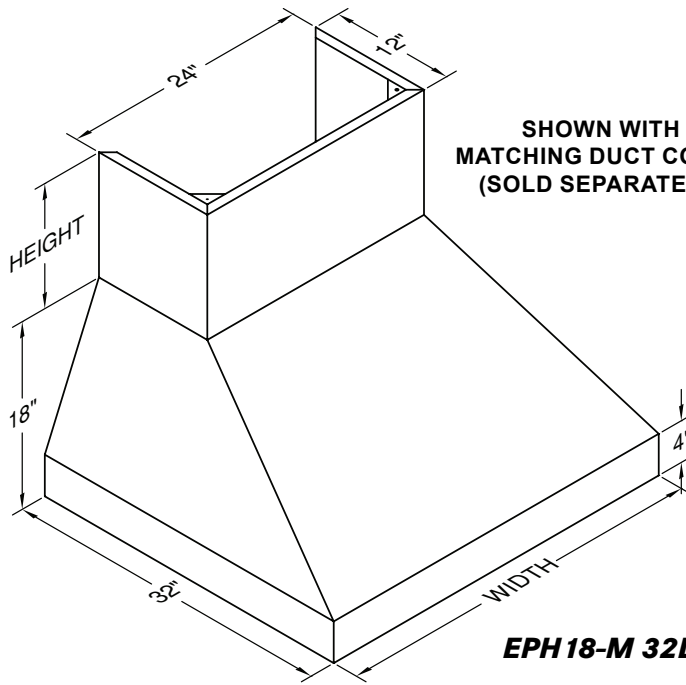
REC. MOUNTING HEIGHT FROM COOKING SURFACE: 30"

BLOWER ASSEMBLY REQUIRED (SOLD SEPARATELY)



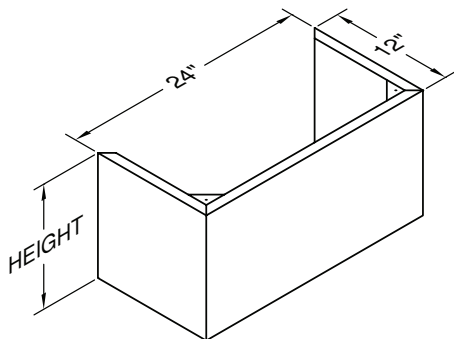
SHOWN WITH MATCHING DUCT COVER (SOLD SEPARATELY)

EPH18-M



SHOWN WITH MATCHING DUCT COVER (SOLD SEPARATELY)

EPH18-M 32D



EPH18-M

Model No.	Width	Price	# Lts	Filters
EPH18-M36 SS	36"	1,794	2	2
EPH18-M42 SS	42"	1,965	2	2
EPH18-M48 SS	48"	2,088	3	3

BLOWER SOLD SEPARATELY
STAINLESS STEEL BAFFLE FILTERS AND GU10 LIGHTING INCLUDED.

EPH18-M 32"D

Model No.	Width	Price	# Lts	Filters
EPH18-M36X32 SS	36"	2,635	2	2
EPH18-M42X32 SS	42"	2,876	2	2
EPH18-M48X32 SS	48"	3,065	3	3

BLOWER SOLD SEPARATELY
STAINLESS STEEL BAFFLE FILTERS AND GU10 LIGHTING INCLUDED.

EURO WALL MOUNT DUCT COVERS

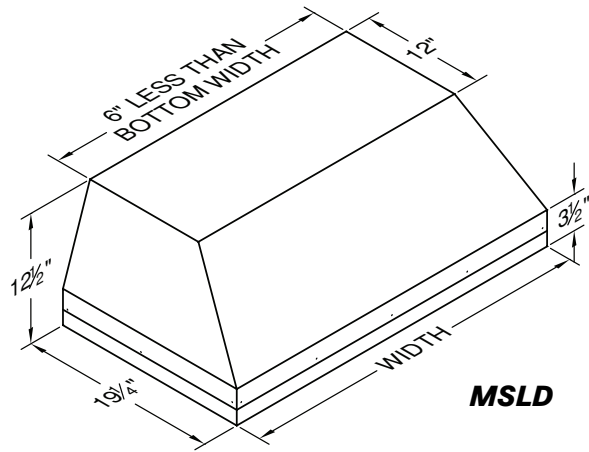
Model No.	Width	Height	Price	Ceiling
WDCM-24/12 SS	24"	12"	672	8'
WDCM-24/24 SS		24"	952	9'
WDCM-24/36 SS		36"	1,143	10'

CEILING BASED ON REC. MAXIMUM HOOD MOUNTING HEIGHT.

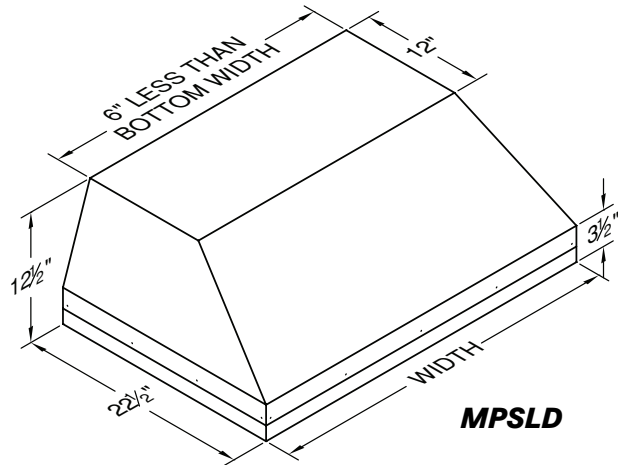
M SERIES WALL MOUNT LINER INSERTS & BLOWERS

REC. MOUNTING HEIGHT FROM COOKING SURFACE:
MSLD: 24"-27", MPSLD: 27"-30"

BLOWER ASSEMBLY REQUIRED
(SOLD SEPARATELY)



MSLD



MPSLD

MSLD

Model No.	Width	Price	# Lts	Filters
M28SLD SS	28 3/8"	713	2	2
M34SLD SS	34 3/8"	713	2	2
M40SLD SS	40 3/8"	789	2	2
M46SLD SS	46 3/8"	978	3	3
M52SLD SS	52 3/8"	1,698	3	3
M58SLD SS	58 3/8"	1,798	4	4
M64SLD SS	64 3/8"	2,052	4	4

BLOWER SOLD SEPARATELY
STAINLESS STEEL BAFFLE FILTERS AND GU10 LIGHTING INCLUDED.

MPSLD

Model No.	Width	Price	# Lts	Filters
M28PSLD SS	28 3/8"	713	2	2
M34PSLD SS	34 3/8"	713	2	2
M40PSLD SS	40 3/8"	789	2	2
M46PSLD SS	46 3/8"	978	3	3
M52PSLD SS	52 3/8"	1,698	3	3
M58PSLD SS	58 3/8"	1,798	4	4
M64PSLD SS	64 3/8"	2,052	4	4

BLOWER SOLD SEPARATELY
STAINLESS STEEL BAFFLE FILTERS AND GU10 LIGHTING INCLUDED.



M600



M1200

BLOWER OPTIONS

Model No.	CFM+	Amps	Price	Incl. *	Duct Size
M600	630	5.0	473	N/A	6" Round
M1200	1035	10.0	910	VP566	10" Round
WHM300*	300	5.0	16	N/A	6" Round
WHM400*	400	5.0	16	N/A	6" Round

+ CFM RATING IS AT 0.0" STATIC PRESSURE
 • VP566 TRANSITION IS PACKAGED SEPARATELY FROM M1200 BLOWER
 * WHM300 IS A HARNESS TO BE USED WITH THE M600 WHICH LIMITS TO 300 CFM
 * WHM400 IS A HARNESS TO BE USED WITH THE M600 WHICH LIMITS TO 400 CFM

VENTING ACCESSORIES

PRICES DO NOT INCLUDE SHIPPING & HANDLING CHARGES.

WALL LOUVER			WALL LOUVER			WALL LOUVER			RECTANGULAR WALL LOUVER		
MODEL	DESCRIPTION	PRICE	MODEL	DESCRIPTION	PRICE	MODEL	DESCRIPTION	PRICE	MODEL	DESCRIPTION	PRICE
VP526	6" Round	\$65.17	VP554	10" Round	\$92.90	VP555	12" Round	\$92.90	VP538	6" x 8-1/2"	\$65.17
VP527	7" Round	\$65.17							VP560	3-1/4" x 10"	\$44.90
VP528	8" Round	\$65.17									
LOW PROFILE ROOF JACK (MAXIMUM 4/12 PITCH)			LOW PROFILE ROOF JACK (MAXIMUM 4/12 PITCH)			LOW PROFILE ROOF JACK (MINIMUM 4/12 PITCH)			LOW PROFILE ROOF JACK (MINIMUM 4/12 PITCH)		
MODEL	DESCRIPTION	PRICE	MODEL	DESCRIPTION	PRICE	MODEL	DESCRIPTION	PRICE	MODEL	DESCRIPTION	PRICE
VP539	6" Round	\$65.17	VP552	10" Round	\$140.04	VP539-HP	6" Round	\$65.17	VP552-HP	10" Round	\$140.04
VP540	7" Round	\$65.17	VP553	12" Round	\$140.04	VP540-HP	7" Round	\$65.17	VP553-HP	12" Round	\$140.04
VP541	8" Round	\$65.17				VP541-HP	8" Round	\$65.17			
ADJUSTABLE ELBOW			BACK/SIDE VENT ELBOW			3 1/4" x 10" BACK VENT ELBOW			3 1/4" x 10" TO 7" TRANSITION		
MODEL	DESCRIPTION	PRICE	MODEL	DESCRIPTION	PRICE	MODEL	DESCRIPTION	PRICE	MODEL	DESCRIPTION	PRICE
VP513	6" Round	\$19.41	VP561	8" to 6" x 8-1/2"	\$26.36	VP559	3-1/4" x 10"	\$26.36	VP521	3-1/4" x 10 to 7"	\$25.10
VP514	7" Round	\$19.41									
VP515	8" Round	\$19.41									
MULTI-BLOWER TRANSITION			M1200 STANDARD TRANSITION			STANDARD ISLAND TRANSITION			CLUSTER BLOWER TRANSITION		
MODEL	DESCRIPTION	PRICE	MODEL	DESCRIPTION	PRICE	MODEL	DESCRIPTION	PRICE	MODEL	DESCRIPTION	PRICE
VP562	6" & 8" to 10"	\$140.04	VP566	M1200 Transition	\$48.87	VP565	5" x 16" to 8" Rnd	\$51.31	VP564	8" & 8" to 12"	\$51.31
VP563	8" & 8" to 12"	\$140.04									
OFFSET L & R TRANSITION FOR ISLAND BLOWERS			SIDE VENT TRANSITION L & R FOR ISLAND BLOWERS			OFFSET KIT - ROUND			OFFSET KIT - RECTANGULAR		
MODEL	DESCRIPTION	PRICE	MODEL	DESCRIPTION	PRICE	MODEL	DESCRIPTION	PRICE	MODEL	DESCRIPTION	PRICE
VP542	Top Left	\$51.31	VP544	Side Left	\$51.31	VP529	6" Rnd to 7" Rnd	\$26.36	VP550	6" to 3-1/4" x 10"	\$26.36
VP543	Top Right	\$51.31	VP545	Side Right	\$51.31						
"Y" TRANSITION			ROUND DUCT PIPE			3 1/4" RECTANGULAR DUCT PIPE			6" RECTANGULAR DUCT PIPE		
MODEL	DESCRIPTION	PRICE	MODEL	DESCRIPTION	PRICE	MODEL	DESCRIPTION	PRICE	MODEL	DESCRIPTION	PRICE
VP517	8" & 8" to 12"	\$58.24	VP500	6" Round	\$22.20	VP504	3-1/4" x 10"	\$21.14	VP507	6" x 8-1/2"	\$22.20
VP518	6" & 8" to 12"	\$58.24	VP501	7" Round	\$22.20	VP505	3-1/4" x 12"	\$21.14			
VP551	6" & 8" to 10"	\$58.24	VP502	8" Round	\$22.20	VP506	3-1/4" x 16"	\$21.14			

LUWA
Luxury Products

Vent-A-Hood[®]