

 HESTAN

2022 USA 

OUTDOOR
ASPIRE BY HESTAN
COMPLETE PRICE LIST

LUWA
Luxury Products





Aspire Grill Features

We just upped the ante.

Aspire built-in models deliver exceptional performance into standard enclosures.

Each unit is built in California from heavy-duty American steel.

Incomparable features include spring-assisted hood, variable infrared searing burner, dual halogen lighting and flip-to-clean ceramic briquettes.



Zamak Die-Cast Knobs and LED illuminated control panel offers easy control with luxury performance.

Dual Halogen Interior Lighting helps you keep an eye on everything no matter what time of day it is.



Heavy-duty 304 Stainless Steel Burner delivers consistent heat that works for your timed food and party size.

Aspire Built-In Grills

ASPIRE by Hestan

30" ASPIRE BUILT-IN GRILLS

		MRP	MAP	MSRP
EAB30-NG	30" Grill, Built-in, (2) U-Burner, Natural Gas	\$3,569	\$3,739	\$3,929
EAB30-LP	30" Grill, Built-in, (2) U-Burner, Propane	\$3,569	\$3,739	\$3,929
EMB30-NG	30" Grill, Built-in, (1) U-Burner, (1) Sear, Natural Gas	\$3,709	\$3,889	\$4,089
EMB30-LP	30" Grill, Built-in, (1) U-Burner, (1) Sear, Propane	\$3,709	\$3,889	\$4,089
EABR30-NG	30" Grill, Built-in, (2) U-Burner, Rotisserie, Natural Gas	\$3,989	\$4,189	\$4,399
EABR30-LP	30" Grill, Built-in, (2) U-Burner, Rotisserie, Propane	\$3,989	\$4,189	\$4,399
EMBR30-NG	30" Grill, Built-in, (1) U-Burner, (1) Sear, Rotisserie, Natural Gas	\$4,139	\$4,339	\$4,559
EMBR30-LP	30" Grill, Built-in, (1) U-Burner, (1) Sear, Rotisserie, Propane	\$4,139	\$4,339	\$4,559
	30" Built-in Aspire Grill Color Charges (we stock all colors)	\$309	\$329	\$349



EABR30

36" ASPIRE BUILT-IN GRILLS

		MRP	MAP	MSRP
EAB36-NG	36" Grill, Built-in, (3) U-Burner, Natural Gas	\$4,199	\$4,409	\$4,629
EAB36-LP	36" Grill, Built-in, (3) U-Burner, Propane	\$4,199	\$4,409	\$4,629
EMB36-NG	36" Grill, Built-in, (2) U-Burner, (1) Sear, Natural Gas	\$4,339	\$4,559	\$4,789
EMB36-LP	36" Grill, Built-in, (2) U-Burner, (1) Sear, Propane	\$4,339	\$4,559	\$4,789
EABR36-NG	36" Grill, Built-in, (3) U-Burner, Rotisserie, Natural Gas	\$4,619	\$4,849	\$5,089
EABR36-LP	36" Grill, Built-in, (3) U-Burner, Rotisserie, Propane	\$4,619	\$4,849	\$5,089
EMBR36-NG	36" Grill, Built-in, (2) U-Burner, (1) Sear, Rotisserie, Natural Gas	\$4,759	\$4,999	\$5,249
EMBR36-LP	36" Grill, Built-in, (2) U-Burner, (1) Sear, Rotisserie, Propane	\$4,759	\$4,999	\$5,249
	36" Built-in Aspire Grill Color Charges (we stock all colors)	\$309	\$329	\$349



EABR36

42" ASPIRE BUILT-IN GRILLS

		MRP	MAP	MSRP
EAB42-LP	42" Built-In Grill, (4) U-Burner, 42" Propane	\$5,039	\$5,289	\$5,559
EAB42-NG	42" Built-In Grill, (4) U-Burner, 42" Natural Gas	\$5,039	\$5,289	\$5,559
EMB42-LP	42" Built-In Grill, Built-in, (3) U-Burner, (1) Sear, Propane	\$5,179	\$5,439	\$5,709
EMB42-NG	42" Built-In Grill, Built-in, (3) U-Burner, (1) Sear, Natural Gas	\$5,179	\$5,439	\$5,709
EABR42-LP	42" Built-In Grill, (4) U-Burner, Rotisserie, Propane	\$5,459	\$5,729	\$6,019
EABR42-NG	42" Built-In Grill, (4) U-Burner, Rotisserie, Natural Gas	\$5,459	\$5,729	\$6,019
EMBR42-LP	42" Built-In Grill, Built-in, (3) U-Burner, (1) Sear, Rotisserie, Propane	\$5,599	\$5,879	\$6,169
EMBR42-NG	42" Built-In Grill, Built-in, (3) U-Burner, (1) Sear, Rotisserie, Natural Gas	\$5,599	\$5,879	\$6,169
	42" Built-in Aspire Grill Color Charges (we stock all colors)	\$309	\$329	\$349



EABR42

Aspire Grill Sample Colors - **Model: EAB36** (Left to Right: Citra, Prince, Matador, Stealth, Steeletto)



NEW Colors (Left to Right: Reef, Orion & Bora, Bora)



Stock Items Listed in Blue

800.205.6450

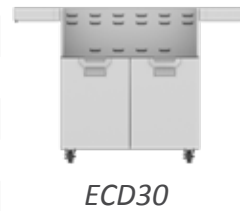


orders@luwaluxury.com



ACCESSORIES & TOWER CARTS - 30" ASPIRE BUILT-IN GRILLS

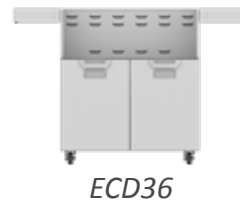
		MRP	MAP	MSRP
ECD30	30" Double Door Cart	\$939	\$989	\$1,039
AGIJ30	30" Insulated Jacket	\$959	\$1,009	\$1,059
AECK-NG	Conversion Kit, Natural Gas	\$89	\$99	\$109
AECK-LP	Conversion Kit, Propane	\$119	\$129	\$139
AECK-SB	30" Conversion Kit, Sear Burner	\$209	\$219	\$229
AECK-UB30	30" Conversion Kit, U-Burner	\$289	\$299	\$309
AGWS30	30" Windscreen	\$279	\$299	\$319
AEVC30	30" Built-in Vinyl Cover	\$139	\$149	\$159
AGVC30WS	30" Carbon Fiber Vinyl Cover, Built-In W/ Windscreen	\$309	\$329	\$349
AEVC30C	30" Tower Cart Vinyl Cover	\$209	\$219	\$229
	30" Tower Cart Color Charges (we stock all colors)	\$239	\$249	\$259



ECD30

ACCESSORIES & TOWER CARTS - 36" ASPIRE BUILT-IN GRILLS

		MRP	MAP	MSRP
ECD36	36" Double Door Cart	\$1,159	\$1,219	\$1,279
AGIJ36	36" Insulated Jacket	\$1,009	\$1,059	\$1,109
AECK-NG	Conversion Kit, Natural Gas	\$89	\$99	\$109
AECK-LP	Conversion Kit, Propane	\$119	\$129	\$139
AEVC36	36" Built-in Vinyl Cover	\$189	\$199	\$209
AEVC36C	36" Tower Cart Vinyl Cover	\$279	\$289	\$299
AGVC36WS	36" Carbon Fiber Vinyl Cover, Built-In W/ Windscreen	\$329	\$349	\$369
AECK-SB	36" Conversion Kit, Sear Burner	\$209	\$219	\$229
AECK-UB36	36" Conversion Kit, U-Burner	\$279	\$289	\$299
AGWS36	36" Windscreen	\$309	\$329	\$349
	36" Tower Cart Color Charges (we stock all colors)	\$239	\$249	\$259



ECD36

ACCESSORIES & TOWER CARTS - 42" ASPIRE BUILT-IN GRILLS

		MRP	MAP	MSRP
ECD42	42" Double Door Cart	\$1,369	\$1,439	\$1,509
AGIJ42	42" Insulated Jacket	\$1,049	\$1,099	\$1,149
AECK-NG	Conversion Kit, Natural Gas	\$89	\$99	\$109
AECK-LP	Conversion Kit, Propane	\$119	\$129	\$139
AECK-SB	42" Conversion Kit, Sear Burner	\$209	\$219	\$229
AECK-UB42	42" Conversion Kit, U-Burner	\$259	\$269	\$279
AGWS42	42" Windscreen	\$329	\$349	\$369
AEVC42	42" Built-In Vinyl Cover, Single Side Burner	\$229	\$239	\$249
AEVC42C	42" Tower Cart Vinyl Cover	\$319	\$339	\$359
AGVC42WS	42" Carbon Fiber Vinyl Cover, Built-In W/ Windscreen	\$349	\$369	\$389
	42" Tower Cart Color Charges (we stock all colors)	\$239	\$249	\$259



ECD42

Grill Cart Sample Colors - *Represents all Models* (Left to Right: Citra, Prince, Matador, Stealth, Steeletto)



NEW Colors (Left to Right: Reef, Orion & Bora, Bora)



ASPIRE SINGLE SIDE BURNERS & ACCESSORIES

		MRP	MAP	MSRP
AEB121-NG	12" Built-In Single Side Burner, Natural Gas	\$1,049	\$1,099	\$1,149
AEB121-LP	12" Built-In Single Side Burner, Propane	\$1,049	\$1,099	\$1,149
AGBCK-NG	Side Burner Conversion Kit, Natural Gas	\$99	\$109	\$119
AGBCK-LP	Side Burner Conversion Kit, Propane	\$72	\$76	\$80
AGCKLPT	Conversion Kit, Side Burner & Campania Pizza Oven, LP, Portable Tank	\$119	\$129	\$139
AEVCSB	12" Built-in Single Side Burner Vinyl Cover	\$72	\$76	\$80
	Side Burner Color Charge	\$159	\$169	\$179



Single Side Burner Sample Colors: (Left to Right: Citra, Prince, Matador, Stealth, Steeletto)



NEW Colors (Left to Right: Reef, Orion & Bora, Bora)



ASPIRE DOUBLE SIDE BURNERS

		MRP	MAP	MSRP
AEB122-NG	12" Built-In Double Side Burner, Natural Gas	\$1,339	\$1,399	\$1,469
AEB122-LP	12" Built-In Double Side Burner, Propane	\$1,339	\$1,399	\$1,469
AGBCK-NG	Side Burner Conversion Kit, Natural Gas	\$99	\$109	\$119
AGBCK-LP	Side Burner Conversion Kit, Propane	\$72	\$76	\$80
AGCKLPT	Conversion Kit, Side Burner & Campania Pizza Oven, LP, Portable Tank	\$119	\$129	\$139
AEVCDB	12" Built-in Double Side Burner Vinyl Cover	\$99	\$109	\$119
	Side Burner Color Charge	\$159	\$169	\$179



Double Side Burner Sample Colors: (Left to Right: Citra, Prince, Matador, Stealth, Steeletto)



NEW Colors (Left to Right: Reef, Orion & Bora, Bora)



16" UNITS		MRP	MAP	MSRP
AEDR16	16" Double Drawers	\$899	\$949	\$999
	16" Double Drawers Color Charge	\$239	\$249	\$259



18" UNITS		MRP	MAP	MSRP
AEADL18	18" Single Access Door, Hinge Left	\$389	\$409	\$429
AEADR18	18" Single Access Door, Hinge Right	\$389	\$409	\$429
	18" Single Access Door Color Charge	\$119	\$129	\$139



24" UNITS		MRP	MAP	MSRP
AEADL24	24" Single Access Door, Hinge Left	\$419	\$439	\$459
AEADR24	24" Single Access Door, Hinge Right	\$419	\$439	\$459
	24" Single Access Door Color Charge	\$119	\$129	\$139



30" UNITS		MRP	MAP	MSRP
AEAD30	30" Double Access Doors	\$599	\$629	\$649
AESDR30	30" Double Drawer and Storage Door Combination	\$1,239	\$1,299	\$1,369
	30" Double Access, and Double Drawers Storage Color Charge	\$239	\$249	\$259



36" UNITS		MRP	MAP	MSRP
AEAD36	36" Double Access Doors	\$679	\$709	\$749
AESDR36	36" Double Drawer and Storage Door Combination	\$1,519	\$1,589	\$1,669
	36" Double Access, and Double Drawers Storage Color Charge	\$239	\$249	\$259



42" UNITS		MRP	MAP	MSRP
AEAD42	42" Double Access Doors	\$779	\$819	\$859
AESDR42	42" Double Drawer and Storage Door Combination	\$1,589	\$1,669	\$1,749
	42" Double Access, and Double Drawers Storage Color Charge	\$239	\$249	\$259



ASPIRE OUTDOOR ACCESSORIES		MRP	MAP	MSRP
AETRC20	20" Trash Storage Drawer	\$1,039	\$1,089	\$1,139
	Trash Storage Drawer Color Charge	\$119	\$129	\$139
AGTC	Countertop Trash Chute with Cutting Board, Stainless Cover	\$479	\$499	\$529
AEPTD16	16" Paper Towel Dispenser	\$399	\$419	\$439
	Paper Towel Dispenser or Trash Storage Color Charge	\$119	\$129	\$139
ERS24	24" Outdoor Refrigerator, Solid Reversible Door with Lock	\$1,549	\$1,629	\$1,709
EDC24	24" Drop-in Cooler	\$1,129	\$1,189	\$1,249
AEVDCDC24	24" Drop-in Cooler Vinyl Cover	\$89	\$99	\$109
AGVCTC	Trash Chute, Carbon Fiber Vinyl Cover	\$109	\$119	\$129
AGSMS	Smoker Set	\$99	\$109	\$119
AECKNGLP	Kit, NG to LP Piped System	\$99	\$109	\$119
AGDG30	30" DiamondCut Grate	\$379	\$399	\$419
AGDG36	36" DiamondCut Grate	\$329	\$349	\$369
AGDG42	42" DiamondCut Grate	\$299	\$319	\$339
AGCT	Charcoal Tray	\$399	\$419	\$439
AGCC	Caster Covers	\$99	\$109	\$119
AEVCRC30	Vinyl Cover, Refreshment Center, 30"	\$119	\$129	\$139
AEVCRCHS30	Vinyl Cover, Refreshment Center, High Shelf, 30"	\$159	\$169	\$179



AEPTD16



ERS24



EDC24

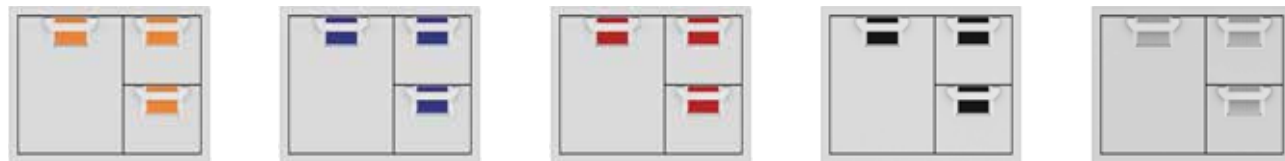


Left to Right: Citra (OR), Prince (BU), Stealth (BK), Matador (MD), Stainless Steel

NEW Colors (Left to Right: Reef, Orion & Bora, Bora)

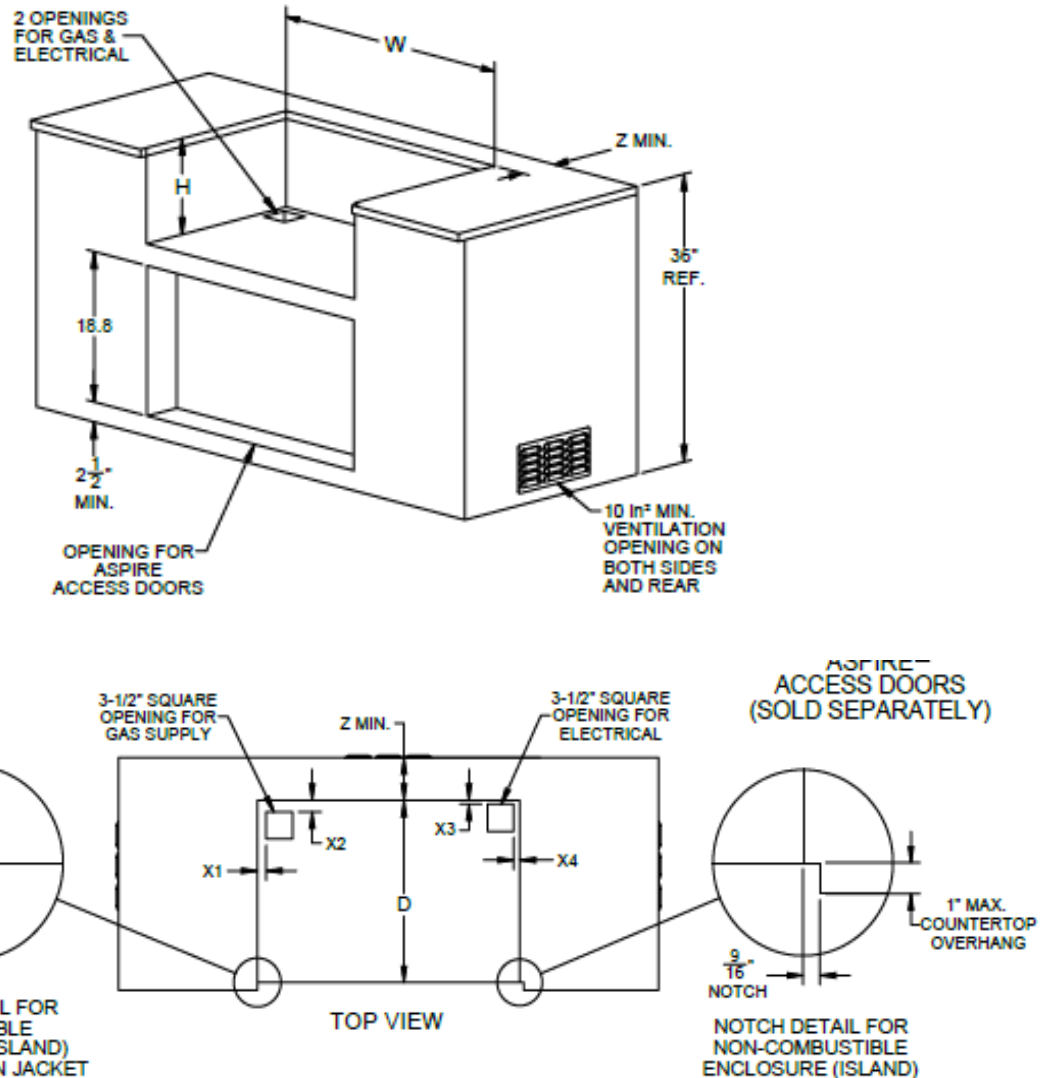


Storage Sample Colors - Model: AESDR36 (Left to Right: Citra, Prince, Matador, Stealth, Steeletto)



NEW Colors (Left to Right: Reef, Orion & Bora, Bora)





WHAT THIS LIMITED WARRANTY COVERS

Hestan Commercial Corporation (“HCC”) warrants to the original consumer purchaser of a Hestan outdoor gas product (the “Product”) from an HCC authorized dealer that the Product is free from defective materials or workmanship for a period of one (1) year from the date of original retail purchase or closing date for new construction, whichever period is longer (“Limited Warranty Period”). HCC agrees to repair or replace, at HCC’s sole option, any part or component of the Product that fails due to defective materials or workmanship during the Limited Warranty Period. This Limited Warranty is not transferable and does not extend to anyone beyond the original consumer purchaser (“Purchaser”). This Limited Warranty is valid only on Products purchased and received from an HCC authorized dealer in the fifty United States, the District of Columbia and Canada. This Limited Warranty applies only to Products in non-commercial use and does not extend to Products used in commercial applications.

HOW TO OBTAIN WARRANTY SERVICE

If the Product fails during the Limited Warranty Period for reasons covered by this Limited Warranty, the Purchaser must immediately contact the dealer from whom the Product was purchased or HCC at 888.905.7463. Purchaser is responsible for making the Product reasonably accessible for service or for paying the cost to make the Product reasonably accessible for service. Service is to be provided during normal business hours of the authorized Hestan Commercial Service Provider. To the extent Purchaser requests service outside of the normal business hours of the authorized Hestan Commercial Service Provider, Purchaser will pay the difference between regular rates and overtime or premium rates. Purchaser is required to pay all travel costs for travel beyond 50 miles (one way) from the nearest authorized Hestan Commercial Service Provider.

THERE ARE NO EXPRESS WARRANTIES OTHER THAN THOSE LISTED AND DESCRIBED ABOVE. NO WARRANTIES WHETHER EXPRESS OR IMPLIED, INCLUDING, BUT NOT LIMITED TO, ANY IMPLIED WARRANTIES OF MERCHANTABILITY OR FITNESS FOR A PARTICULAR PURPOSE SHALL APPLY AFTER THE LIMITED WARRANTY PERIOD STATED ABOVE. NO OTHER EXPRESS WARRANTY OR GUARANTY GIVEN BY ANY PERSON, FIRM OR CORPORATION WITH RESPECT TO THIS PRODUCT SHALL BE BINDING ON HCC. HCC ASSUMES NO RESPONSIBILITY THAT THE PRODUCT WILL BE FIT FOR ANY PARTICULAR PURPOSE, EXCEPT AS OTHERWISE PROVIDED BY APPLICABLE LAW. HCC SHALL NOT BE LIABLE FOR LOSS OF REVENUE OR PROFITS, FAILURE TO REALIZE SAVINGS OR OTHER BENEFITS, OR ANY OTHER SPECIAL, INCIDENTAL OR LIMITED WARRANTY (continued) 42 ©2018 Hestan Commercial Corporation EN CONSEQUENTIAL DAMAGES CAUSED BY THE USE, MISUSE OR INABILITY TO USE THE PRODUCT, REGARDLESS OF THE LEGAL THEORY ON WHICH THE CLAIM IS BASED, AND EVEN IF HCC HAS BEEN ADVISED OF THE POSSIBILITY OF SUCH DAMAGES. NO RECOVERY OF ANY KIND AGAINST HCC SHALL BE GREATER IN AMOUNT THAN THE PURCHASE PRICE OF THE PRODUCT. WITHOUT LIMITING THE FOREGOING, YOU ASSUME ALL RISK AND LIABILITY FOR LOSS, DAMAGE OR INJURY TO YOU AND YOUR PROPERTY AND TO OTHERS AND THEIR PROPERTY ARISING OUT OF THE USE, MISUSE OR INABILITY TO USE THE PRODUCT NOT CAUSED DIRECTLY BY THE NEGLIGENCE OF HCC. THIS LIMITED WARRANTY STATES YOUR EXCLUSIVE REMEDY.

Built - In Models	Description	Cutout Dimensions								Total Btu's
		W (in.)	D (in.)	H (in.)	X1 (in.)	X2 (in.)	X3 (in.)	X4 (in.)	Z (in.)	
E_30-NG / -LP	30" Grill Built-in	29	23-1/2	11-1/2	1-3/16	1-1/2	1/4	13/16	5-1/2	46,000
E_36-NG / -LP	36" Grill Built-in	35	23-1/2	11-1/2	1-3/16	1-1/2	1/4	13/16	5-1/2	69,000



EXTENSIONS TO ONE YEAR LIMITED WARRANTY PERIOD:

In addition to the One-Year Limited Warranty, the following components have extended warranty coverage as specifically set forth below:

1. The Product's stainless steel grill body, DiamondCut cooking grates and warming rack, stainless Trellis grill burners, Sear burners and rotisserie infrared burner (where applicable) are warranted to be free from defects in material and workmanship under normal noncommercial use and service for the lifetime of the original Purchaser. This excludes surface corrosion, scratches, and discoloration which may occur during normal use and is limited to replacement of the defective part(s), with the Purchaser paying all other costs, including labor, shipping and handling, as applicable.
2. The Product's spit rod, briquette trays, manifolds, gas valves and sealed burner assemblies (where applicable) are warranted to be free from defects in material and workmanship, under normal non-commercial use and service, for a period of five (5) years from the original date of purchase;. This is limited to replacement of the defective parts, with the Purchaser paying all other costs, including labor, shipping, and handling, as applicable.

WHAT THIS LIMITED WARRANTY DOES NOT COVER:

This Limited Warranty does not cover and HCC will not be responsible for and will not pay for: damage to or defects in any Product not purchased from an HCC authorized dealer; color variations in color finishes or other cosmetic damage; failure or damage from abuse, misuse, accident, fire, natural disaster, commercial use of the Product, or loss of electrical power or gas supply to the Product; damage from alteration, improper installation, or improper operation of the Product; damage from improper or unauthorized repair or replacement of any part or component of the Product; damage from service by someone other than an authorized agent or representative of the Hestan Commercial Service Network; normal wear and tear; damage from exposure of the Product to a corrosive atmosphere containing chlorine, fluorine, or any other damaging chemicals; damage resulting from the failure to provide normal care and maintenance to the Product; damage HCC was not notified of within the Limited Warranty Period; and incidental and consequential damages caused by any defective material or workmanship.

ARBITRATION:

This Limited Warranty is governed by the Federal Arbitration Act. Any dispute between Purchaser and HCC regarding or related to the Product or to this Limited Warranty shall be resolved by binding arbitration only on an individual basis with Purchaser. Arbitration will be conducted by the American Arbitration Association ("AAA") in accordance with its Consumer Arbitration Rules or by JAMS. The arbitration hearing shall be before one arbitrator appointed by the AAA or JAMS. The arbitrator shall not conduct class arbitration and Purchaser shall not bring any claims against HCC in a representative capacity on behalf of others.

LIMITATION OF LIABILITY:

This Limited Warranty is the final, complete and exclusive agreement between HCC and Purchaser regarding the Product.

LUWA

 HESTAN

4/2022