

 HESTAN

**2022 CANADA** 

OUTDOOR  
ASPIRE BY HESTAN  
COMPLETE PRICE LIST

**LUWA**  
*Canada*





# Aspire Grill Features

We just upped the ante.

Aspire built-in models deliver exceptional performance into standard enclosures.

Each unit is built in California from heavy-duty American steel.

Incomparable features include spring-assisted hood, variable infrared searing burner, dual halogen lighting and flip-to-clean ceramic briquettes.



**Zamak Die-Cast Knobs and LED illuminated control panel** offers easy control with luxury performance.

**Dual Halogen Interior Lighting** helps you keep an eye on everything no matter what time of day it is.



**Heavy-duty 304 Stainless Steel Burner** delivers consistent heat that works for your timed food and party size.

## Aspire Built-In Grills

ASPIRE by Hestan

### 30" ASPIRE BUILT-IN GRILLS

		MSP	MAP	MSRP
<b>EAB30-NG</b>	<b>30" Grill, Built-in, (2) U-Burner, Natural Gas</b>	<b>C\$5,068</b>	<b>C\$5,309</b>	<b>C\$5,579</b>
<b>EAB30-LP</b>	<b>30" Grill, Built-in, (2) U-Burner, Propane</b>	<b>C\$5,068</b>	<b>C\$5,309</b>	<b>C\$5,579</b>
EMB30-NG	30" Grill, Built-in, (1) U-Burner, (1) Sear, Natural Gas	C\$5,267	C\$5,522	C\$5,806
EMB30-LP	30" Grill, Built-in, (1) U-Burner, (1) Sear, Propane	C\$5,267	C\$5,522	C\$5,806
<b>EABR30-NG</b>	<b>30" Grill, Built-in, (2) U-Burner, Rotisserie, Natural Gas</b>	<b>C\$5,664</b>	<b>C\$5,948</b>	<b>C\$6,247</b>
<b>EABR30-LP</b>	<b>30" Grill, Built-in, (2) U-Burner, Rotisserie, Propane</b>	<b>C\$5,664</b>	<b>C\$5,948</b>	<b>C\$6,247</b>
EMBR30-NG	30" Grill, Built-in, (1) U-Burner, (1) Sear, Rotisserie, Natural Gas	C\$5,877	C\$6,161	C\$6,474
EMBR30-LP	30" Grill, Built-in, (1) U-Burner, (1) Sear, Rotisserie, Propane	C\$5,877	C\$6,161	C\$6,474
	<b>30" Built-in Aspire Grill Color Charges (we stock all colors)</b>	<b>C\$439</b>	<b>C\$468</b>	<b>C\$495</b>



EABR30

### 36" ASPIRE BUILT-IN GRILLS

		MSP	MAP	MSRP
<b>EAB36-NG</b>	<b>36" Grill, Built-in, (3) U-Burner, Natural Gas</b>	<b>C\$5,963</b>	<b>C\$6,261</b>	<b>C\$6,573</b>
EAB36-LP	36" Grill, Built-in, (3) U-Burner, Propane	C\$5,963	C\$6,261	C\$6,573
EMB36-NG	36" Grill, Built-in, (2) U-Burner, (1) Sear, Natural Gas	C\$6,161	C\$6,474	C\$6,800
EMB36-LP	36" Grill, Built-in, (2) U-Burner, (1) Sear, Propane	C\$6,161	C\$6,474	C\$6,800
EABR36-NG	36" Grill, Built-in, (3) U-Burner, Rotisserie, Natural Gas	C\$6,559	C\$6,886	C\$7,226
EABR36-LP	36" Grill, Built-in, (3) U-Burner, Rotisserie, Propane	C\$6,559	C\$6,886	C\$7,226
<b>EMBR36-NG</b>	<b>36" Grill, Built-in, (2) U-Burner, (1) Sear, Rotisserie, Natural Gas</b>	<b>C\$6,758</b>	<b>C\$7,099</b>	<b>C\$7,454</b>
<b>EMBR36-LP</b>	<b>36" Grill, Built-in, (2) U-Burner, (1) Sear, Rotisserie, Propane</b>	<b>C\$6,758</b>	<b>C\$7,099</b>	<b>C\$7,454</b>
	<b>36" Built-in Aspire Grill Color Charges (we stock all colors)</b>	<b>C\$439</b>	<b>C\$468</b>	<b>C\$495</b>



EABR36

### 42" ASPIRE BUILT-IN GRILLS

		MSP	MAP	MSRP
EAB42-LP	42" Built-In Grill, (4) U-Burner, 42" Propane	C\$7,155	C\$7,510	C\$7,894
EAB42-NG	42" Built-In Grill, (4) U-Burner, 42" Natural Gas	C\$7,155	C\$7,510	C\$7,894
EMB42-LP	42" Built-In Grill, Built-in, (3) U-Burner, (1) Sear, Propane	C\$7,354	C\$7,723	C\$8,107
EMB42-NG	42" Built-In Grill, Built-in, (3) U-Burner, (1) Sear, Natural Gas	C\$7,354	C\$7,723	C\$8,107
EABR42-LP	42" Built-In Grill, (4) U-Burner, Rotisserie, Propane	C\$7,752	C\$8,135	C\$8,547
EABR42-NG	42" Built-In Grill, (4) U-Burner, Rotisserie, Natural Gas	C\$7,752	C\$8,135	C\$8,547
<b>EMBR42-LP</b>	<b>42" Built-In Grill, Built-in, (3) U-Burner, (1) Sear, Rotisserie, Propane</b>	<b>C\$7,951</b>	<b>C\$8,348</b>	<b>C\$8,760</b>
<b>EMBR42-NG</b>	<b>42" Built-In Grill, Built-in, (3) U-Burner, (1) Sear, Rotisserie, Natural Gas</b>	<b>C\$7,951</b>	<b>C\$8,348</b>	<b>C\$8,760</b>
	<b>42" Built-in Aspire Grill Color Charges (we stock all colors)</b>	<b>C\$439</b>	<b>C\$455</b>	<b>C\$485</b>



EABR42

Aspire Grill Sample Colors - **Model: EAB36** (Left to Right: Citra, Prince, Matador, Stealth, Steeletto)



**NEW Colors (Left to Right: Reef, Orion & Bora, Bora)**



Stock Items Listed in Blue

800.205.6450

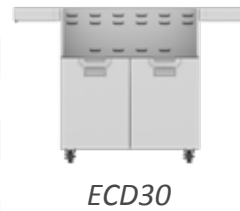


orders@luwaluxury.com



**ACCESSORIES & TOWER CARTS - 30" ASPIRE BUILT-IN GRILLS**

		MSP	MAP	MSRP
ECD30	30" Double Door Cart	C\$1,333	C\$1,404	C\$1,475
AGIJ30	30" Insulated Jacket	C\$1,362	C\$1,433	C\$1,504
AECK-NG	Conversion Kit, Natural Gas	C\$126	C\$141	C\$155
AECK-LP	Conversion Kit, Propane	C\$169	C\$183	C\$197
AECK-SB	30" Conversion Kit, Sear Burner	C\$297	C\$311	C\$325
AECK-UB30	30" Conversion Kit, U-Burner	C\$410	C\$425	C\$439
AGWS30	30" Windscreen	C\$396	C\$425	C\$453
AEVC30	30" Built-in Vinyl Cover	C\$197	C\$212	C\$226
AEVC30C	30" Tower Cart Vinyl Cover	C\$297	C\$311	C\$325
AGVC30WS	30" Carbon Fiber Vinyl Cover, Built-in, w/Windscreen	C\$439	C\$467	C\$496
	30" Tower Cart Color Charges (we stock all colors)	C\$340	C\$354	C\$368



ECD30

**ACCESSORIES & TOWER CARTS - 36" ASPIRE BUILT-IN GRILLS**

		MSP	MAP	MSRP
ECD36	36" Double Door Cart	C\$1,646	C\$1,731	C\$1,816
AGIJ36	36" Insulated Jacket	C\$1,433	C\$1,504	C\$1,575
AECK-NG	Conversion Kit, Natural Gas	C\$126	C\$141	C\$155
AECK-LP	Conversion Kit, Propane	C\$169	C\$183	C\$197
AECK-SB	36" Conversion Kit, Sear Burner	C\$297	C\$311	C\$325
AECK-UB36	36" Conversion Kit, U-Burner	C\$396	C\$410	C\$425
AGWS36	36" Windscreen	C\$439	C\$467	C\$496
AEVC36	36" Built-in Vinyl Cover	C\$268	C\$283	C\$297
AEVC36C	36" Tower Cart Vinyl Cover	C\$396	C\$410	C\$425
AGVC36WS	36" Carbon Fiber Vinyl Cover, Built-in, w/Windscreen	C\$467	C\$496	C\$524
	36" Tower Cart Color Charges (we stock all colors)	C\$340	C\$354	C\$368



ECD36

**ACCESSORIES & TOWER CARTS - 42" ASPIRE BUILT-IN GRILLS**

		MSP	MAP	MSRP
ECD42	42" Double Door Cart	C\$1,944	C\$2,043	C\$2,143
AGIJ42	42" Insulated Jacket	C\$1,490	C\$1,561	C\$1,632
AECK-NG	Conversion Kit, Natural Gas	C\$126	C\$141	C\$155
AECK-LP	Conversion Kit, Propane	C\$169	C\$183	C\$197
AECK-SB	42" Conversion Kit, Sear Burner	C\$297	C\$311	C\$325
AECK-UB42	42" Conversion Kit, U-Burner	C\$368	C\$382	C\$396
AGWS42	42" Windscreen	C\$467	C\$496	C\$524
AEVC42	42" Built-in Vinyl Cover	C\$325	C\$339	C\$354
AEVC42C	42" Tower Cart Vinyl Cover	C\$453	C\$481	C\$510
AGVC42WS	42" Carbon Fiber Vinyl Cover, Built-in, w/Windscreen	C\$496	C\$524	C\$552
	42" Tower Cart Color Charges (we stock all colors)	C\$340	C\$354	C\$368



ECD42

Grill Cart Sample Colors - *Represents all Models* (Left to Right: Citra, Prince, Matador, Stealth, Steeletto)



NEW Colors (Left to Right: Reef, Orion & Bora, Bora)



**ASPIRE SINGLE SIDE BURNERS & ACCESSORIES**

		MSP	MAP	MSRP
AEB121-NG	12" Built-In Single Side Burner, Natural Gas	C\$1,490	C\$1,561	C\$1,632
AEB121-LP	12" Built-In Single Side Burner, Propane	C\$1,490	C\$1,561	C\$1,632
AGBCK-NG	Side Burner Conversion Kit, Natural Gas	C\$141	C\$155	C\$169
AGBCK-LP	Side Burner Conversion Kit, Propane	C\$102	C\$108	C\$114
AEVCSB	12" Built-in Single Side Burner Vinyl Cover	C\$102	C\$108	C\$114
	Side Burner Color Charge	C\$225	C\$240	C\$254



Single Side Burner Sample Colors: (Left to Right: Citra, Prince, Matador, Stealth, Steeletto)



NEW Colors (Left to Right: Reef, Orion & Bora, Bora)



**ASPIRE DOUBLE SIDE BURNERS**

		MSP	MAP	MSRP
AEB122-NG	12" Built-In Double Side Burner, Natural Gas	C\$1,901	C\$1,987	C\$2,086
AEB122-LP	12" Built-In Double Side Burner, Propane	C\$1,901	C\$1,987	C\$2,086
AGBCK-NG	Side Burner Conversion Kit, Natural Gas	C\$141	C\$155	C\$169
AGBCK-LP	Side Burner Conversion Kit, Propane	C\$102	C\$108	C\$114
AEVCDB	12" Built-in Double Side Burner Vinyl Cover	C\$102	C\$108	C\$114
	Side Burner Color Charge	C\$225	C\$240	C\$254



Double Side Burner Sample Colors: (Left to Right: Citra, Prince, Matador, Stealth, Steeletto)



NEW Colors (Left to Right: Reef, Orion & Bora, Bora)



16" UNITS		MSP	MAP	MSRP
AEDR16	16" Double Drawers	C\$1,277	C\$1,348	C\$1,419
	16" Double Drawers Color Charge	C\$339	C\$353	C\$367



18" UNITS		MSP	MAP	MSRP
<b>AEADL18</b>	<b>18" Single Access Door, Hinge Left</b>	<b>C\$552</b>	<b>C\$581</b>	<b>C\$609</b>
AEADR18	18" Single Access Door, Hinge Right	C\$552	C\$581	C\$609
	18" Single Access Door Color Charge	C\$169	C\$183	C\$198



24" UNITS		MSP	MAP	MSRP
AEADL24	24" Single Access Door, Hinge Left	C\$595	C\$623	C\$652
AEADR24	24" Single Access Door, Hinge Right	C\$595	C\$623	C\$652
	24" Single Access Door Color Charge	C\$169	C\$183	C\$198



30" UNITS		MSP	MAP	MSRP
<b>AEAD30</b>	<b>30" Double Access Doors</b>	<b>C\$851</b>	<b>C\$893</b>	<b>C\$922</b>
AESDR30	30" Double Drawer and Storage Door Combination	C\$1,759	C\$1,845	C\$1,944
	30" Double Access, and Double Drawers Storage Color Charge	C\$239	C\$249	C\$259



36" UNITS		MSP	MAP	MSRP
<b>AEAD36</b>	<b>36" Double Access Doors</b>	<b>C\$964</b>	<b>C\$1,007</b>	<b>C\$1,064</b>
<b>AESDR36</b>	<b>36" Double Drawer and Storage Door Combination</b>	<b>C\$2,157</b>	<b>C\$2,256</b>	<b>C\$2,370</b>
	36" Double Access, and Double Drawers Storage Color Charge	C\$239	C\$249	C\$259



42" UNITS		MSP	MAP	MSRP
<b>AEAD42</b>	<b>42" Double Access Doors</b>	<b>C\$1,106</b>	<b>C\$1,163</b>	<b>C\$1,220</b>
AESDR42	42" Double Drawer and Storage Door Combination	C\$2,256	C\$2,370	C\$2,484
	42" Double Access, and Double Drawers Storage Color Charge	C\$239	C\$249	C\$259



ASPIRE OUTDOOR ACCESSORIES

		MSP	MAP	MSRP
<b>AETRC20</b>	<b>20" Trash Storage Drawer</b>	<b>C\$1,475</b>	<b>C\$1,546</b>	<b>C\$1,617</b>
	Trash Storage Colour Charge	C\$169	C\$183	C\$198
AGTC	Countertop Trash Chute with Cutting Board, Marquise Cover	C\$680	C\$709	C\$751
AEPTD16	16" Paper Towel Dispenser	C\$567	C\$595	C\$623
	Paper Towel Dispenser Colour Charge	C\$169	C\$183	C\$198
<b>ERS24</b>	<b>24" Outdoor Refrigerator, Solid Reversible Door with Lock</b>	<b>C\$2,200</b>	<b>C\$2,313</b>	<b>C\$2,427</b>
EDC24	24" Drop-in Cooler	C\$1,603	C\$1,688	C\$1,774
AEVDC24	24" Drop-in Cooler Vinyl Cover	C\$126	C\$141	C\$155
AGVCTC	24" Trash Chute, Carbon Fiber Vinyl Cover	C\$155	C\$169	C\$183
AGSMS	Smoker Set	C\$141	C\$155	C\$169
AECK-LP	Kit, LP Portable to LP Piped System	C\$169	C\$183	C\$197
AECK-NG	Kit, NG to LP Piped System	C\$126	C\$141	C\$155
AGDG30	30" DiamondCut Grate	C\$538	C\$567	C\$595
AGDG36	36" DiamondCut Grate	C\$467	C\$496	C\$524
AGDG42	42" DiamondCut Grate	C\$425	C\$453	C\$481
AGCT	Charcoal Tray	C\$567	C\$595	C\$623
AGCC	Caster Covers	C\$141	C\$155	C\$169
AGCKLPT	Conversion Kit, Side Burner & Campania Pizza Oven, LP, Portable Tank	C\$169	C\$183	C\$197
AEVCR30	30" Vinyl Cover, Refreshment Center	C\$169	C\$183	C\$197



AEPTD16



ERS24



EDC24

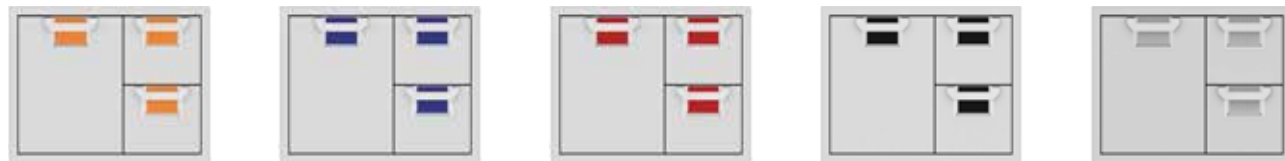


Left to Right: Citra (OR), Prince (BU), Stealth (BK), Matador (MD), Stainless Steel

NEW Colors (Left to Right: Reef, Orion & Bora, Bora)

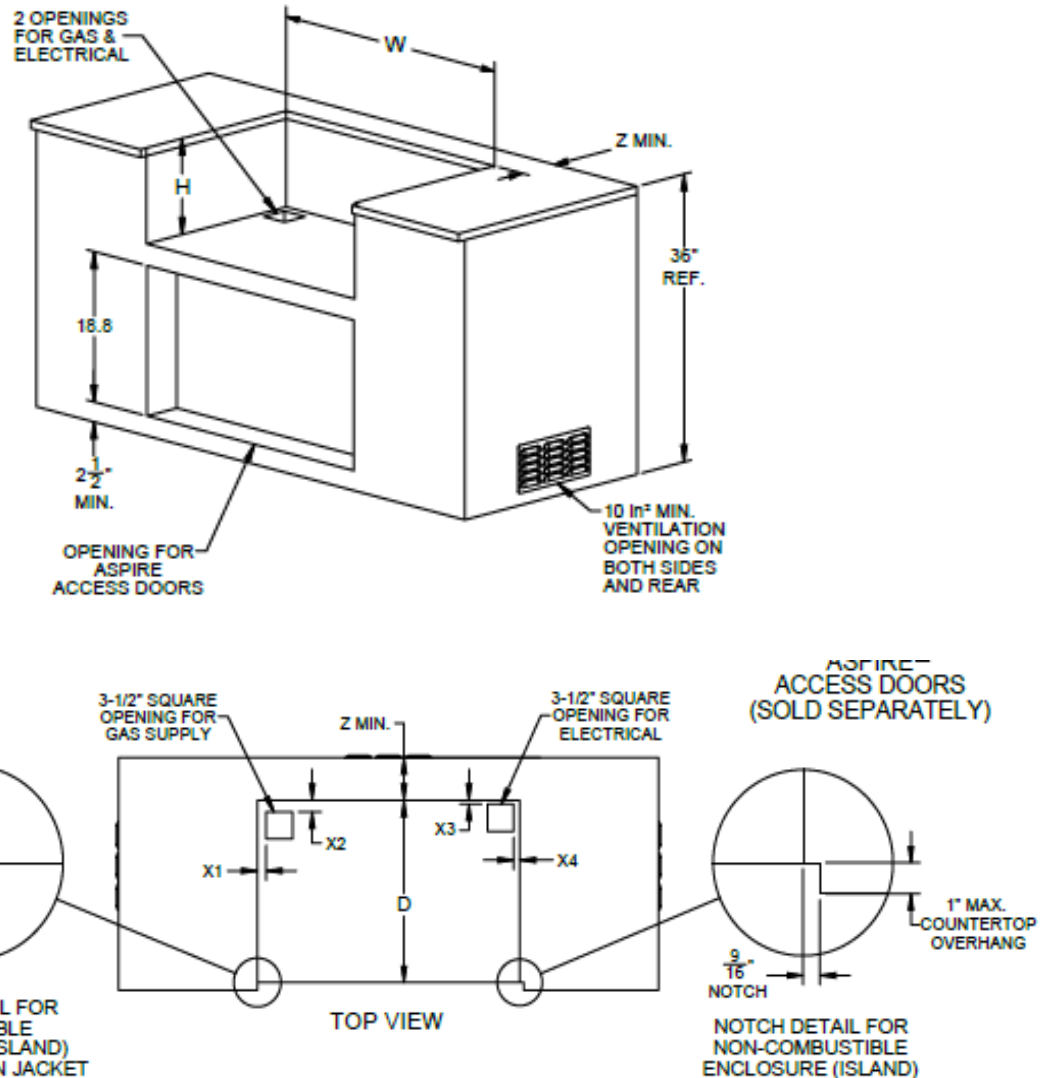


Storage Sample Colors - Model: AESDR36 (Left to Right: Citra, Prince, Matador, Stealth, Steeletto)



NEW Colors (Left to Right: Reef, Orion & Bora, Bora)





**WHAT THIS LIMITED WARRANTY COVERS**

Hestan Commercial Corporation (“HCC”) warrants to the original consumer purchaser of a Hestan outdoor gas product (the “Product”) from an HCC authorized dealer that the Product is free from defective materials or workmanship for a period of one (1) year from the date of original retail purchase or closing date for new construction, whichever period is longer (“Limited Warranty Period”). HCC agrees to repair or replace, at HCC’s sole option, any part or component of the Product that fails due to defective materials or workmanship during the Limited Warranty Period. This Limited Warranty is not transferable and does not extend to anyone beyond the original consumer purchaser (“Purchaser”). This Limited Warranty is valid only on Products purchased and received from an HCC authorized dealer in the fifty United States, the District of Columbia and Canada. This Limited Warranty applies only to Products in non-commercial use and does not extend to Products used in commercial applications.

**HOW TO OBTAIN WARRANTY SERVICE**

If the Product fails during the Limited Warranty Period for reasons covered by this Limited Warranty, the Purchaser must immediately contact the dealer from whom the Product was purchased or HCC at 888.905.7463. Purchaser is responsible for making the Product reasonably accessible for service or for paying the cost to make the Product reasonably accessible for service. Service is to be provided during normal business hours of the authorized Hestan Commercial Service Provider. To the extent Purchaser requests service outside of the normal business hours of the authorized Hestan Commercial Service Provider, Purchaser will pay the difference between regular rates and overtime or premium rates. Purchaser is required to pay all travel costs for travel beyond 50 miles (one way) from the nearest authorized Hestan Commercial Service Provider.

THERE ARE NO EXPRESS WARRANTIES OTHER THAN THOSE LISTED AND DESCRIBED ABOVE. NO WARRANTIES WHETHER EXPRESS OR IMPLIED, INCLUDING, BUT NOT LIMITED TO, ANY IMPLIED WARRANTIES OF MERCHANTABILITY OR FITNESS FOR A PARTICULAR PURPOSE SHALL APPLY AFTER THE LIMITED WARRANTY PERIOD STATED ABOVE. NO OTHER EXPRESS WARRANTY OR GUARANTY GIVEN BY ANY PERSON, FIRM OR CORPORATION WITH RESPECT TO THIS PRODUCT SHALL BE BINDING ON HCC. HCC ASSUMES NO RESPONSIBILITY THAT THE PRODUCT WILL BE FIT FOR ANY PARTICULAR PURPOSE, EXCEPT AS OTHERWISE PROVIDED BY APPLICABLE LAW. HCC SHALL NOT BE LIABLE FOR LOSS OF REVENUE OR PROFITS, FAILURE TO REALIZE SAVINGS OR OTHER BENEFITS, OR ANY OTHER SPECIAL, INCIDENTAL OR LIMITED WARRANTY (continued) 42 ©2018 Hestan Commercial Corporation EN CONSEQUENTIAL DAMAGES CAUSED BY THE USE, MISUSE OR INABILITY TO USE THE PRODUCT, REGARDLESS OF THE LEGAL THEORY ON WHICH THE CLAIM IS BASED, AND EVEN IF HCC HAS BEEN ADVISED OF THE POSSIBILITY OF SUCH DAMAGES. NO RECOVERY OF ANY KIND AGAINST HCC SHALL BE GREATER IN AMOUNT THAN THE PURCHASE PRICE OF THE PRODUCT. WITHOUT LIMITING THE FOREGOING, YOU ASSUME ALL RISK AND LIABILITY FOR LOSS, DAMAGE OR INJURY TO YOU AND YOUR PROPERTY AND TO OTHERS AND THEIR PROPERTY ARISING OUT OF THE USE, MISUSE OR INABILITY TO USE THE PRODUCT NOT CAUSED DIRECTLY BY THE NEGLIGENCE OF HCC. THIS LIMITED WARRANTY STATES YOUR EXCLUSIVE REMEDY.

Built - In Models	Description	Cutout Dimensions								Total Btu's
		W (in.)	D (in.)	H (in.)	X1 (in.)	X2 (in.)	X3 (in.)	X4 (in.)	Z (in.)	
E_30-NG / -LP	30" Grill Built-in	29	23-1/2	11-1/2	1-3/16	1-1/2	1/4	13/16	5-1/2	46,000
E_36-NG / -LP	36" Grill Built-in	35	23-1/2	11-1/2	1-3/16	1-1/2	1/4	13/16	5-1/2	69,000



**EXTENSIONS TO ONE YEAR LIMITED WARRANTY PERIOD:**

In addition to the One-Year Limited Warranty, the following components have extended warranty coverage as specifically set forth below:

1. The Product's stainless steel grill body, DiamondCut cooking grates and warming rack, stainless Trellis grill burners, Sear burners and rotisserie infrared burner (where applicable) are warranted to be free from defects in material and workmanship under normal noncommercial use and service for the lifetime of the original Purchaser. This excludes surface corrosion, scratches, and discoloration which may occur during normal use and is limited to replacement of the defective part(s), with the Purchaser paying all other costs, including labor, shipping and handling, as applicable.
2. The Product's spit rod, briquette trays, manifolds, gas valves and sealed burner assemblies (where applicable) are warranted to be free from defects in material and workmanship, under normal non-commercial use and service, for a period of five (5) years from the original date of purchase;. This is limited to replacement of the defective parts, with the Purchaser paying all other costs, including labor, shipping, and handling, as applicable.

**WHAT THIS LIMITED WARRANTY DOES NOT COVER:**

This Limited Warranty does not cover and HCC will not be responsible for and will not pay for: damage to or defects in any Product not purchased from an HCC authorized dealer; color variations in color finishes or other cosmetic damage; failure or damage from abuse, misuse, accident, fire, natural disaster, commercial use of the Product, or loss of electrical power or gas supply to the Product; damage from alteration, improper installation, or improper operation of the Product; damage from improper or unauthorized repair or replacement of any part or component of the Product; damage from service by someone other than an authorized agent or representative of the Hestan Commercial Service Network; normal wear and tear; damage from exposure of the Product to a corrosive atmosphere containing chlorine, fluorine, or any other damaging chemicals; damage resulting from the failure to provide normal care and maintenance to the Product; damage HCC was not notified of within the Limited Warranty Period; and incidental and consequential damages caused by any defective material or workmanship.

**ARBITRATION:**

This Limited Warranty is governed by the Federal Arbitration Act. Any dispute between Purchaser and HCC regarding or related to the Product or to this Limited Warranty shall be resolved by binding arbitration only on an individual basis with Purchaser. Arbitration will be conducted by the American Arbitration Association ("AAA") in accordance with its Consumer Arbitration Rules or by JAMS. The arbitration hearing shall be before one arbitrator appointed by the AAA or JAMS. The arbitrator shall not conduct class arbitration and Purchaser shall not bring any claims against HCC in a representative capacity on behalf of others.

**LIMITATION OF LIABILITY:**

This Limited Warranty is the final, complete and exclusive agreement between HCC and Purchaser regarding the Product.



**LUWA**  
*Canada*

 **HESTAN**