

HIDEAWAY INCORPORATED
 Edmonton, AB

RE: EVALUATION OF HIDEAWAY SCREEN PRODUCTS BY QAI TO THE 2020 NATIONAL BUILDING CODE OF CANADA (2020 NBC) REQUIREMENTS

To Whom It May Concern,

QAI Laboratories Ltd. (QAI) has evaluated Hideaway Inc. Privacy Screen products listed below to the requirements of the 2020 NBC:

Table 1: Hideaway Inc. Privacy Screen Assemblies Evaluated by QAI

1. Branch	2. River Rock	3. Dash	4. Maui	5. Breeze
6. Moderna	7. Hexx	8. Horizon	9. Solid	

The products above were evaluated to the requirements of the 2020 NBC by QAI as outlined in QAI report T1353-8a dated July 25, 2022 and QAI report T1353-8c dated July 25, 2022.

The conclusions of the above noted QAI reports are summarized below:

Hideaway Inc. **Branch, River Rock, Dash, Maui, Breeze, Moderna, Hexx, Horizon and Solid** privacy screen systems were found to comply *Loads on Guards and Handrails* requirements of Section 4.1.5.14 of the 2020 NBC.

Hideaway Inc. **Branch, River Rock, Dash, Maui, Breeze, Moderna, Hexx, Horizon and Solid** privacy screen systems when installed with panels having clearance between bottom of panel and substrate at < 100 mm, comply with *Guards* Sections 3.3.1.18 and 9.8.8.5 *Openings in Guards* requirements of the 2020 NBC.

Hideaway Inc. **Branch, River Rock, Breeze, Maui and Moderna** privacy screen assemblies were found to have openings that do not restrict climbability and do not comply with *Design of Guards to Not Facilitate Climbing* Section 9.8.8.6 requirements of the 2020 NBC. These products shall not be installed where protection from a level > 4.2 meters height from an adjacent level exist.

For additional details of QAI's evaluations, please see QAI report T1353-8a dated July 25, 2022 and QAI report T1353-8c dated July 25, 2022.

Disclaimer: This report outlines evaluation of the above-described systems for compliance to the service and factored loads and material specifications as outlined by the above building codes. This report does not constitute site design. Details including but not limited to wind load resistance, anchorage connections and other areas as required by the specific site per the applicable code are to be specified by the engineer of record and authority having jurisdiction.

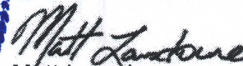
Prepared By



Robert Giona
 Operations Manager

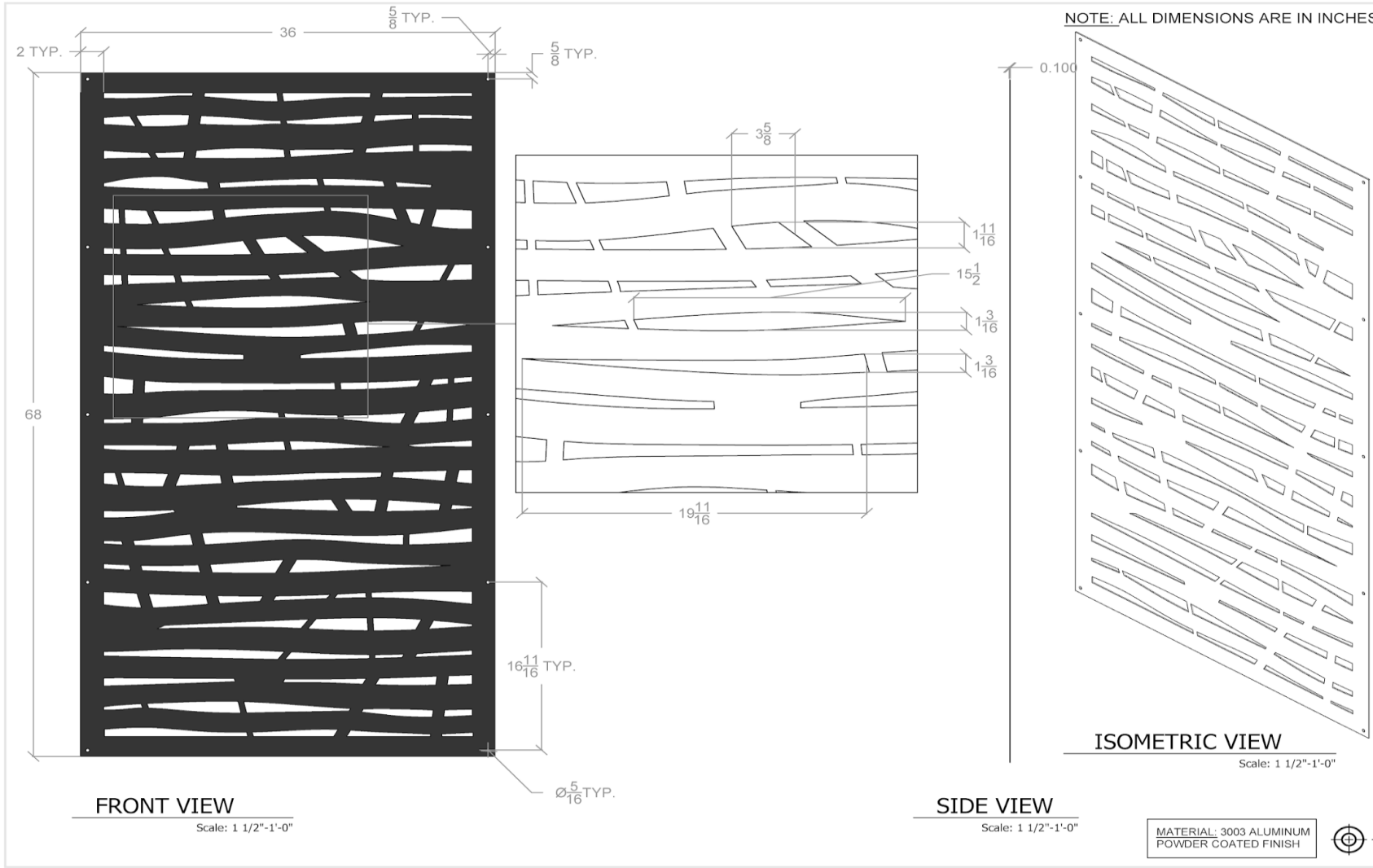


Signed for and on behalf of
 QAI Laboratories Ltd.



Matt Lansdowne
 VP of Operations

Attachments: Hideaway Screen Product Drawings *27-07-2022*



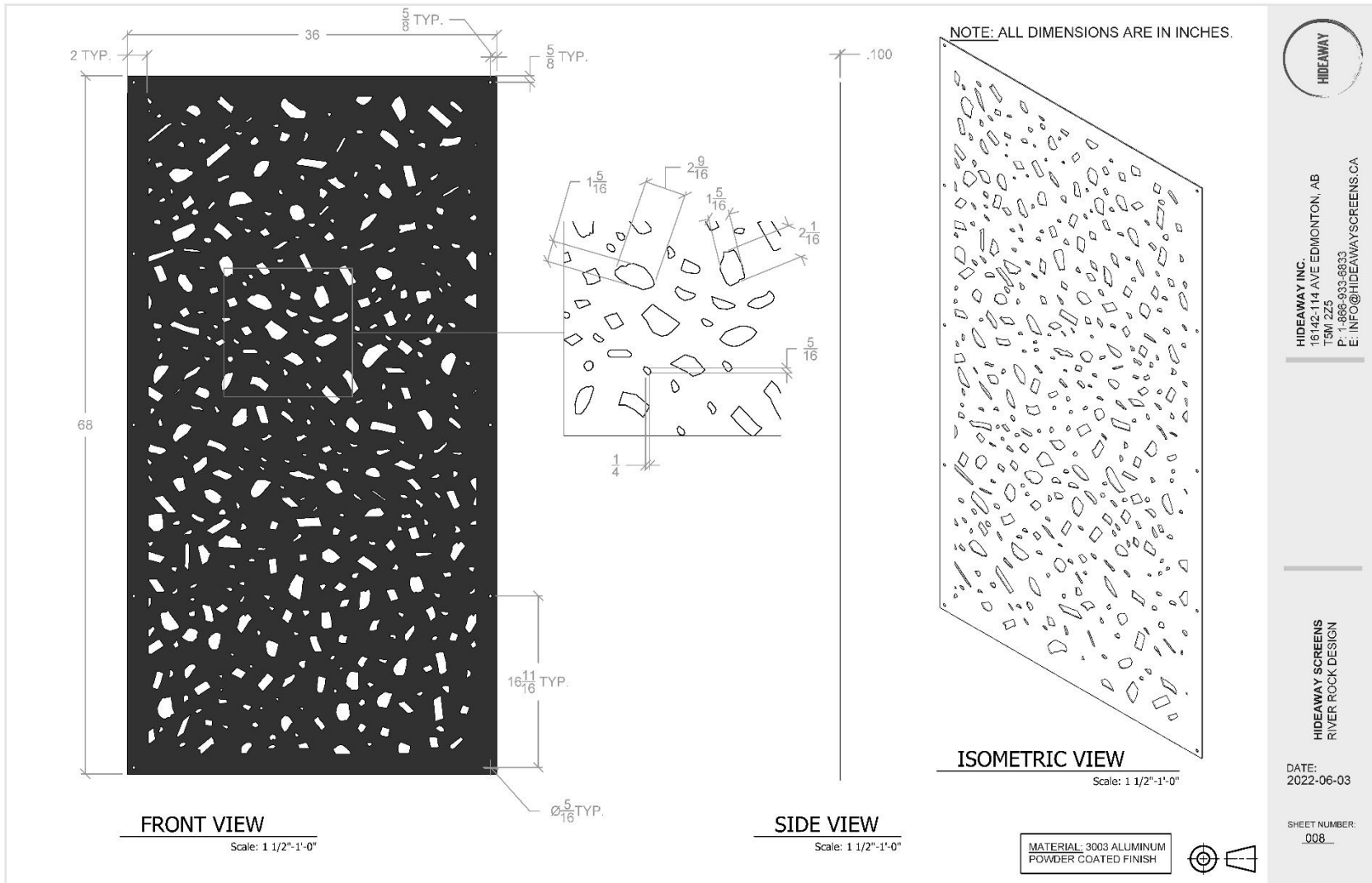
HIDEAWAY INC.
 16142-114 AVE EDMONTON, AB
 T5M 2Z5
 P: 1-866-933-6833
 E: INFO@HIDEAWAYSCREENS.CA

HIDEAWAY SCREENS
 BRANCH DESIGN

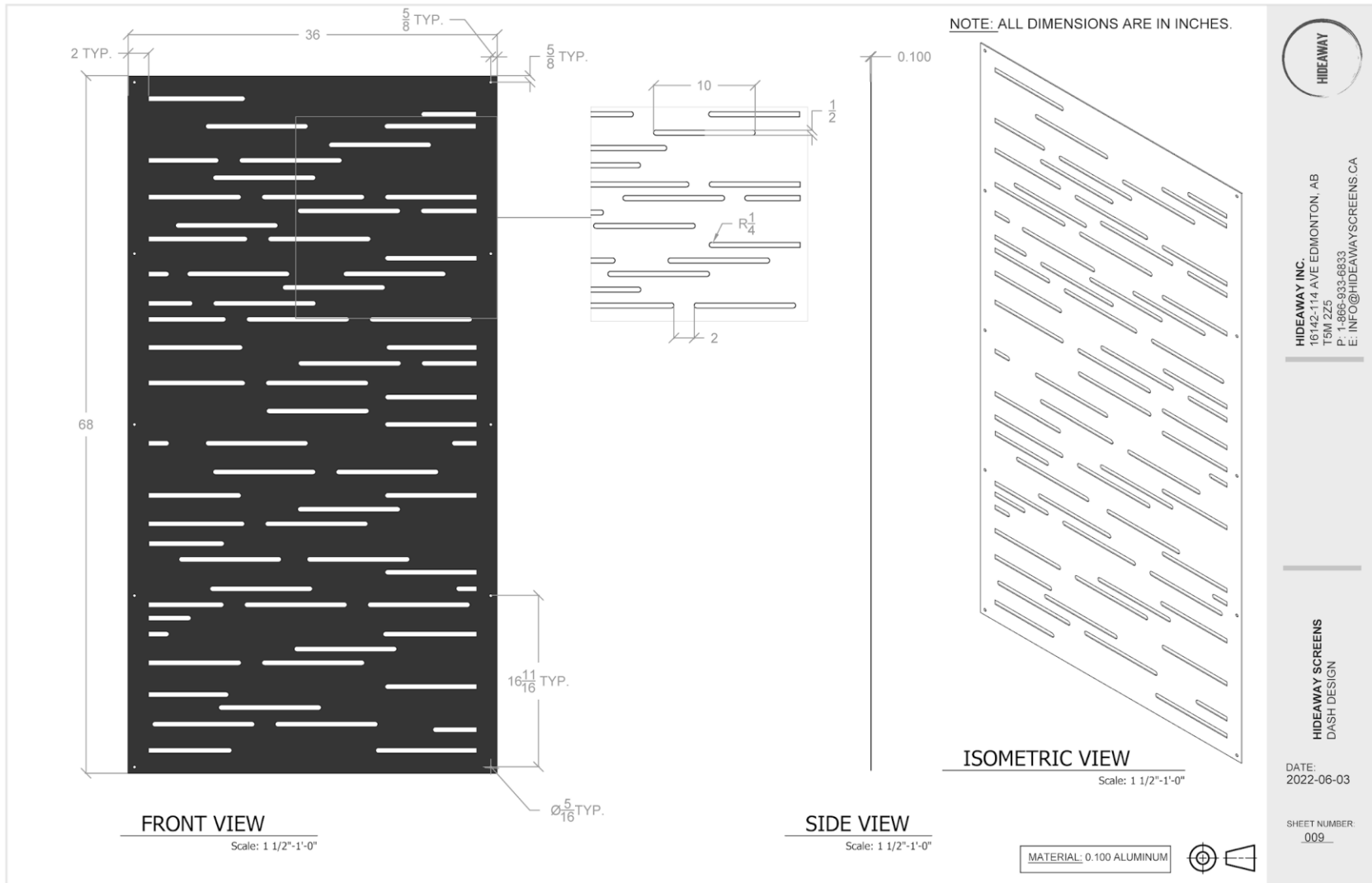
DATE:
 2022-06-03

SHEET NUMBER:
 003

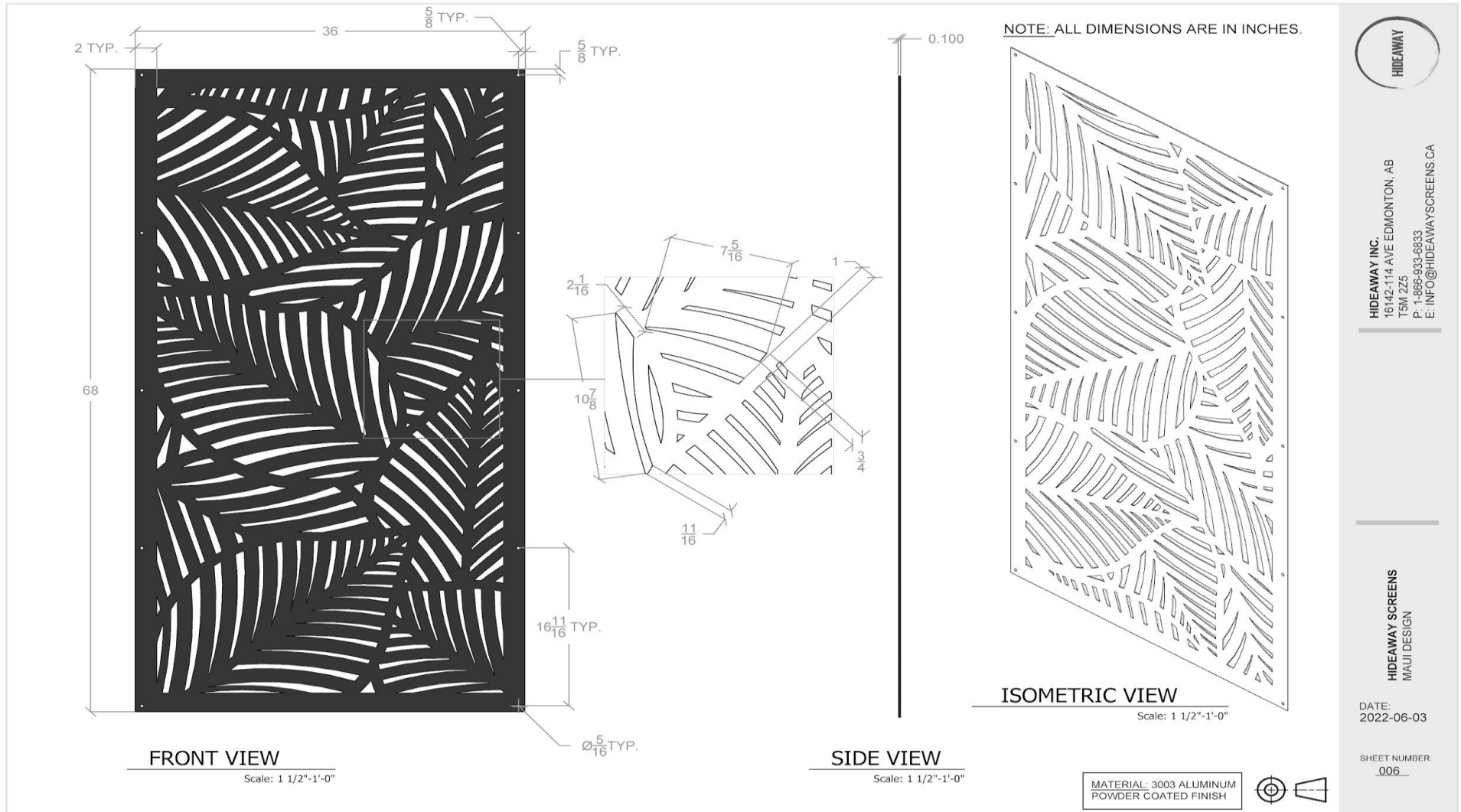
THIS REPORT IS THE CONFIDENTIAL PROPERTY OF THE CLIENT ADDRESSED. THE REPORT MAY ONLY BE REPRODUCED IN FULL. PUBLICATION OF EXTRACTS FROM THIS REPORT IS NOT PERMITTED WITHOUT WRITTEN APPROVAL FROM QAI. ANY LIABILITY ATTACHED THERETO IS LIMITED TO THE FEE CHARGED FOR THE INDIVIDUAL PROJECT FILE REFERENCED. THE RESULTS OF THIS REPORT PERTAIN ONLY TO THE SPECIFIC SAMPLE(S) EVALUATED.



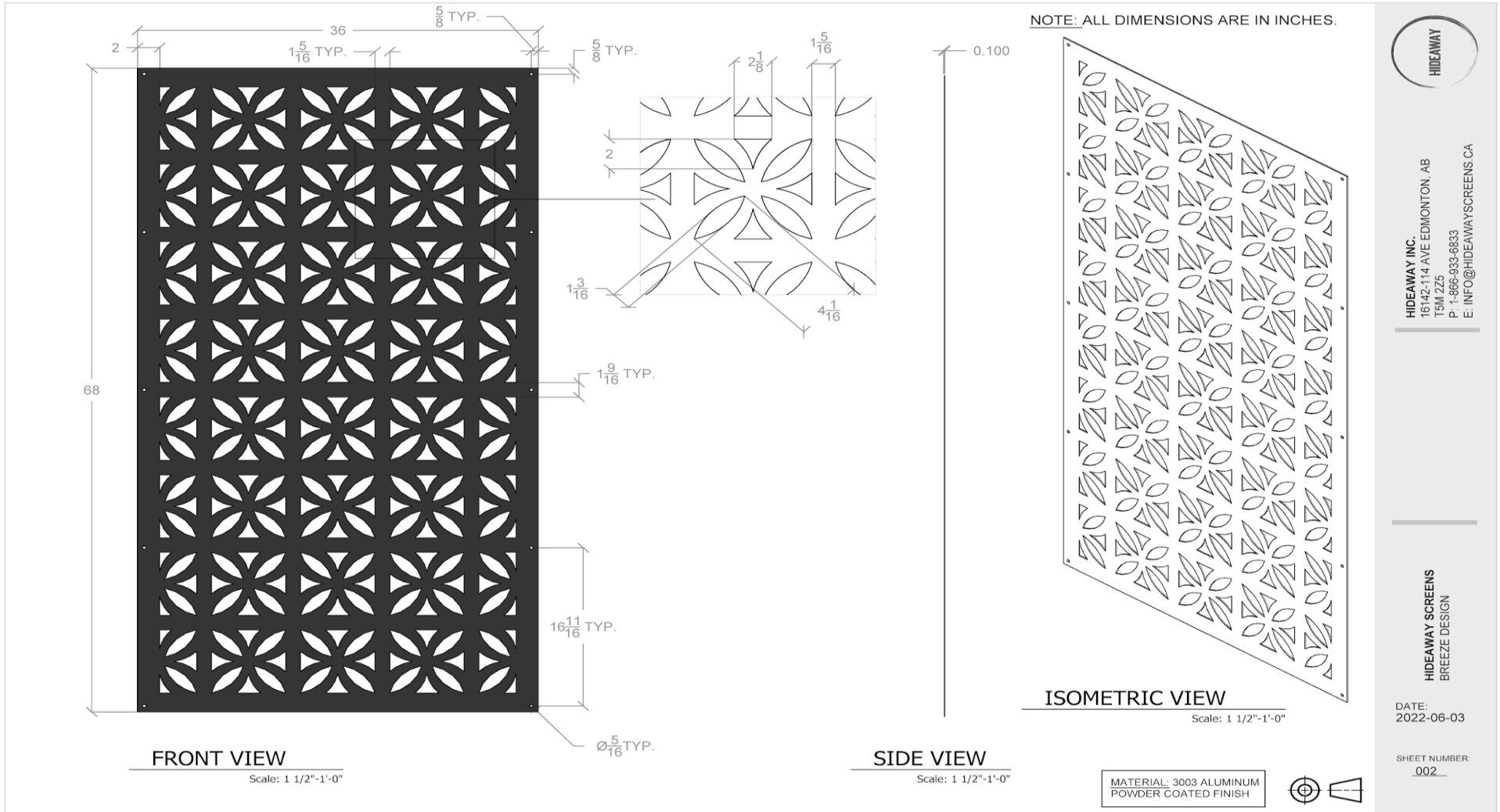
THIS REPORT IS THE CONFIDENTIAL PROPERTY OF THE CLIENT ADDRESSED. THE REPORT MAY ONLY BE REPRODUCED IN FULL. PUBLICATION OF EXTRACTS FROM THIS REPORT IS NOT PERMITTED WITHOUT WRITTEN APPROVAL FROM QAI. ANY LIABILITY ATTACHED THERETO IS LIMITED TO THE FEE CHARGED FOR THE INDIVIDUAL PROJECT FILE REFERENCED. THE RESULTS OF THIS REPORT PERTAIN ONLY TO THE SPECIFIC SAMPLE(S) EVALUATED.



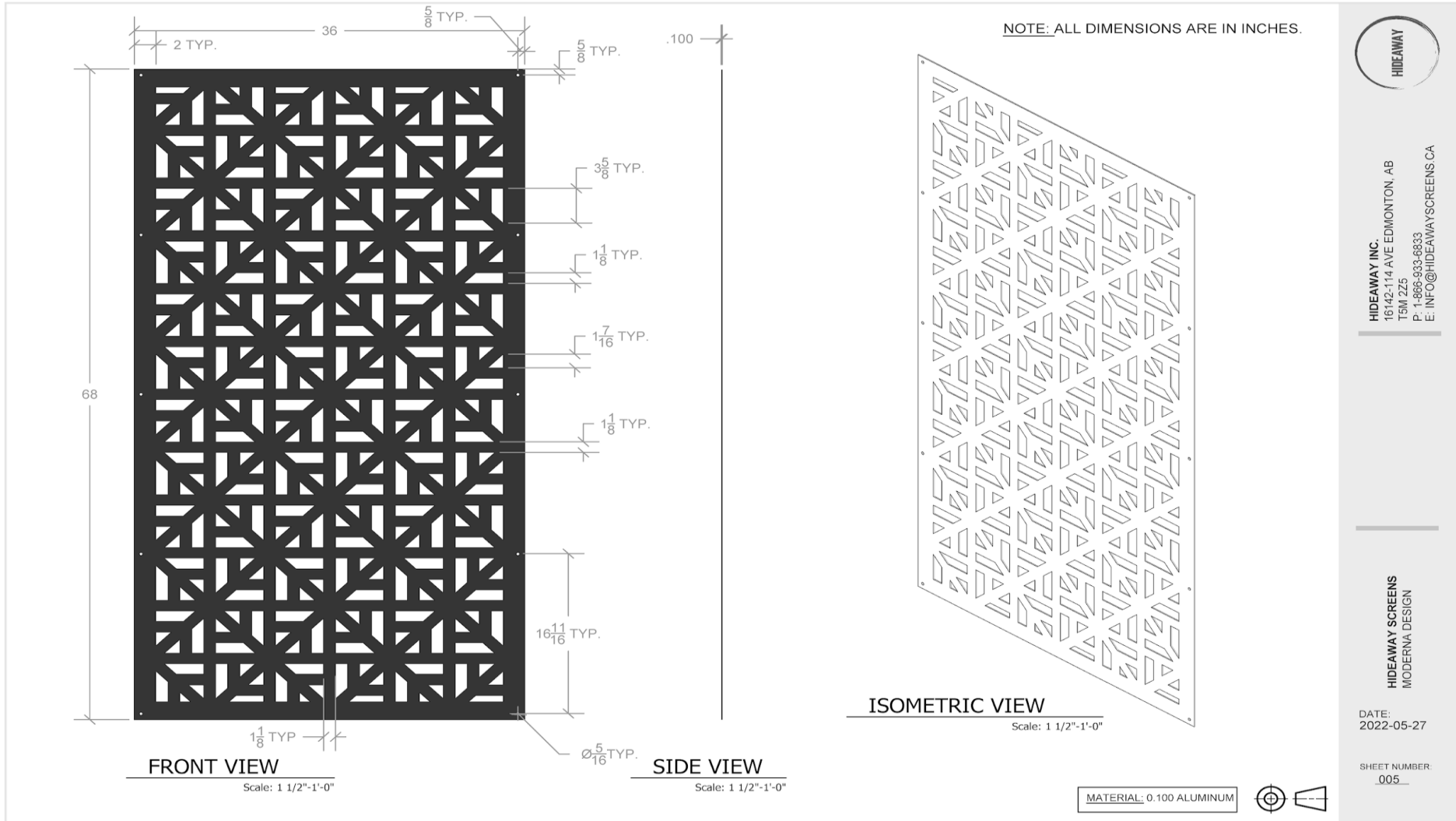
THIS REPORT IS THE CONFIDENTIAL PROPERTY OF THE CLIENT ADDRESSED. THE REPORT MAY ONLY BE REPRODUCED IN FULL. PUBLICATION OF EXTRACTS FROM THIS REPORT IS NOT PERMITTED WITHOUT WRITTEN APPROVAL FROM QAI. ANY LIABILITY ATTACHED THERETO IS LIMITED TO THE FEE CHARGED FOR THE INDIVIDUAL PROJECT FILE REFERENCED. THE RESULTS OF THIS REPORT PERTAIN ONLY TO THE SPECIFIC SAMPLE(S) EVALUATED.



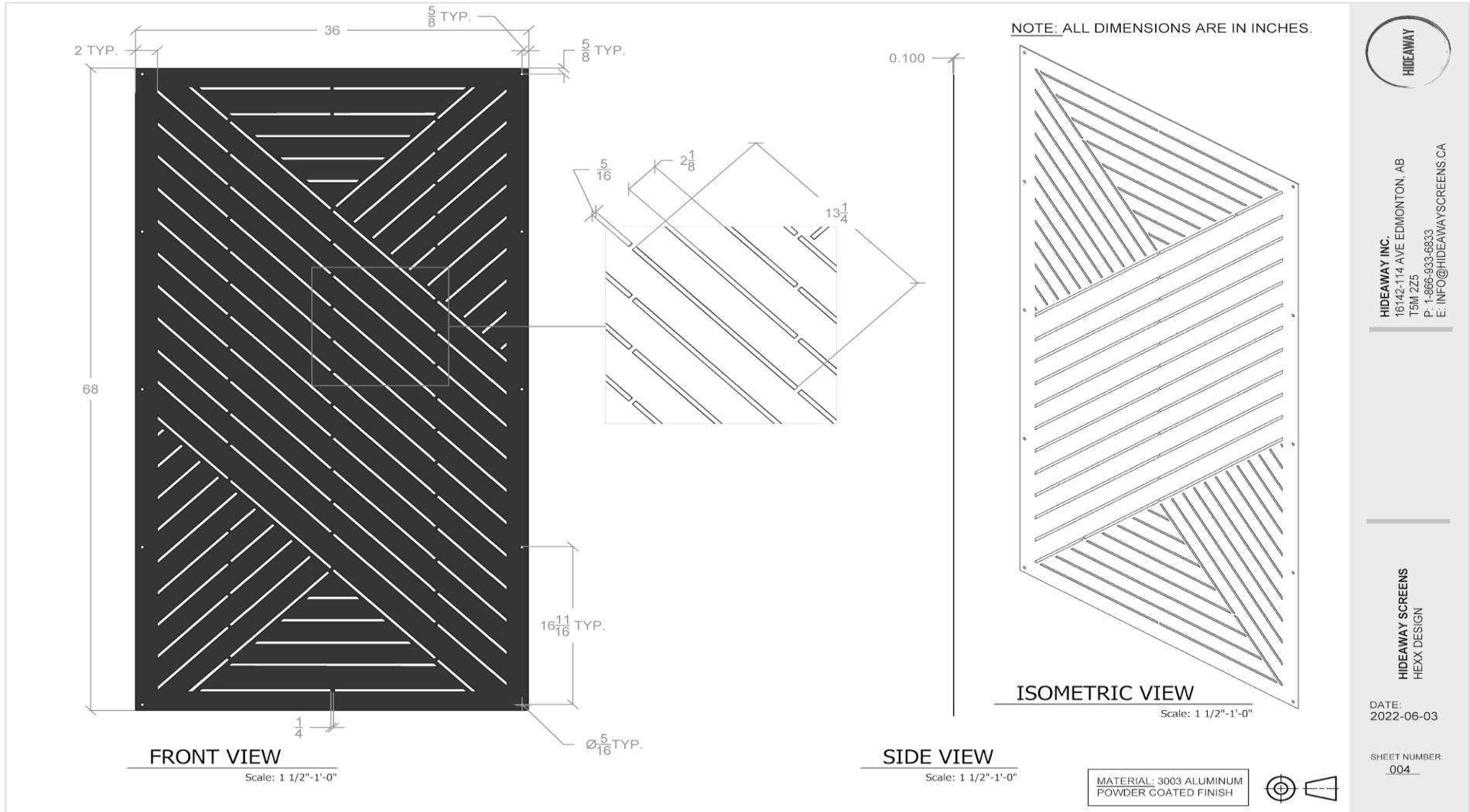
THIS REPORT IS THE CONFIDENTIAL PROPERTY OF THE CLIENT ADDRESSED. THE REPORT MAY ONLY BE REPRODUCED IN FULL. PUBLICATION OF EXTRACTS FROM THIS REPORT IS NOT PERMITTED WITHOUT WRITTEN APPROVAL FROM QAI. ANY LIABILITY ATTACHED THERETO IS LIMITED TO THE FEE CHARGED FOR THE INDIVIDUAL PROJECT FILE REFERENCED. THE RESULTS OF THIS REPORT PERTAIN ONLY TO THE SPECIFIC SAMPLE(S) EVALUATED.



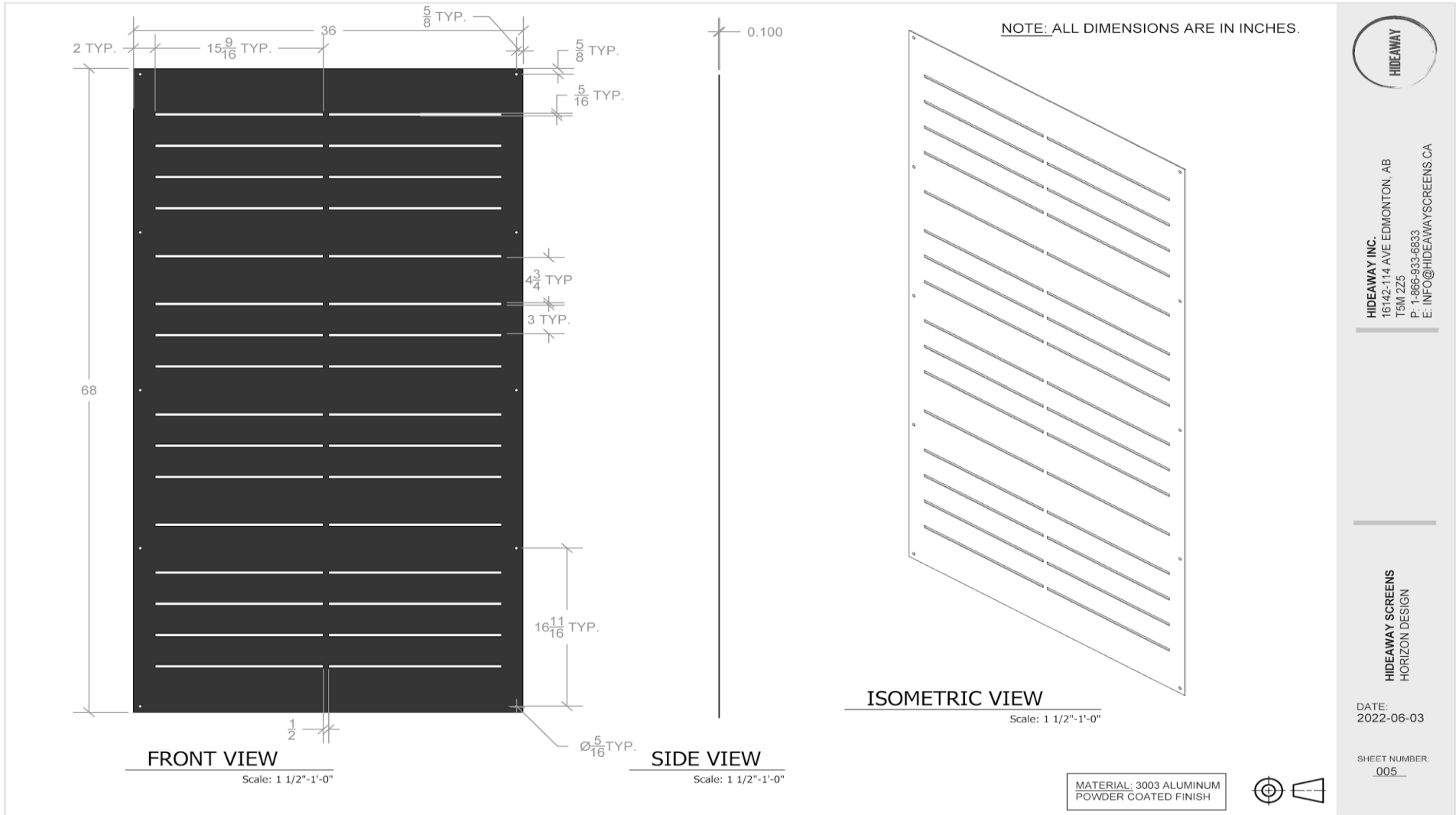
THIS REPORT IS THE CONFIDENTIAL PROPERTY OF THE CLIENT ADDRESSED. THE REPORT MAY ONLY BE REPRODUCED IN FULL. PUBLICATION OF EXTRACTS FROM THIS REPORT IS NOT PERMITTED WITHOUT WRITTEN APPROVAL FROM QAI. ANY LIABILITY ATTACHED THERETO IS LIMITED TO THE FEE CHARGED FOR THE INDIVIDUAL PROJECT FILE REFERENCED. THE RESULTS OF THIS REPORT PERTAIN ONLY TO THE SPECIFIC SAMPLE(S) EVALUATED.



THIS REPORT IS THE CONFIDENTIAL PROPERTY OF THE CLIENT ADDRESSED. THE REPORT MAY ONLY BE REPRODUCED IN FULL. PUBLICATION OF EXTRACTS FROM THIS REPORT IS NOT PERMITTED WITHOUT WRITTEN APPROVAL FROM QAI. ANY LIABILITY ATTACHED THERETO IS LIMITED TO THE FEE CHARGED FOR THE INDIVIDUAL PROJECT FILE REFERENCED. THE RESULTS OF THIS REPORT PERTAIN ONLY TO THE SPECIFIC SAMPLE(S) EVALUATED.



THIS REPORT IS THE CONFIDENTIAL PROPERTY OF THE CLIENT ADDRESSED. THE REPORT MAY ONLY BE REPRODUCED IN FULL. PUBLICATION OF EXTRACTS FROM THIS REPORT IS NOT PERMITTED WITHOUT WRITTEN APPROVAL FROM QAI. ANY LIABILITY ATTACHED THERETO IS LIMITED TO THE FEE CHARGED FOR THE INDIVIDUAL PROJECT FILE REFERENCED. THE RESULTS OF THIS REPORT PERTAIN ONLY TO THE SPECIFIC SAMPLE(S) EVALUATED.

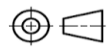


HIDEAWAY INC.
 16142-114 AVE EDMONTON, AB
 T5M 2Z5
 P: 1-866-933-6833
 E: INFO@HIDEAWAYSCREENS.CA

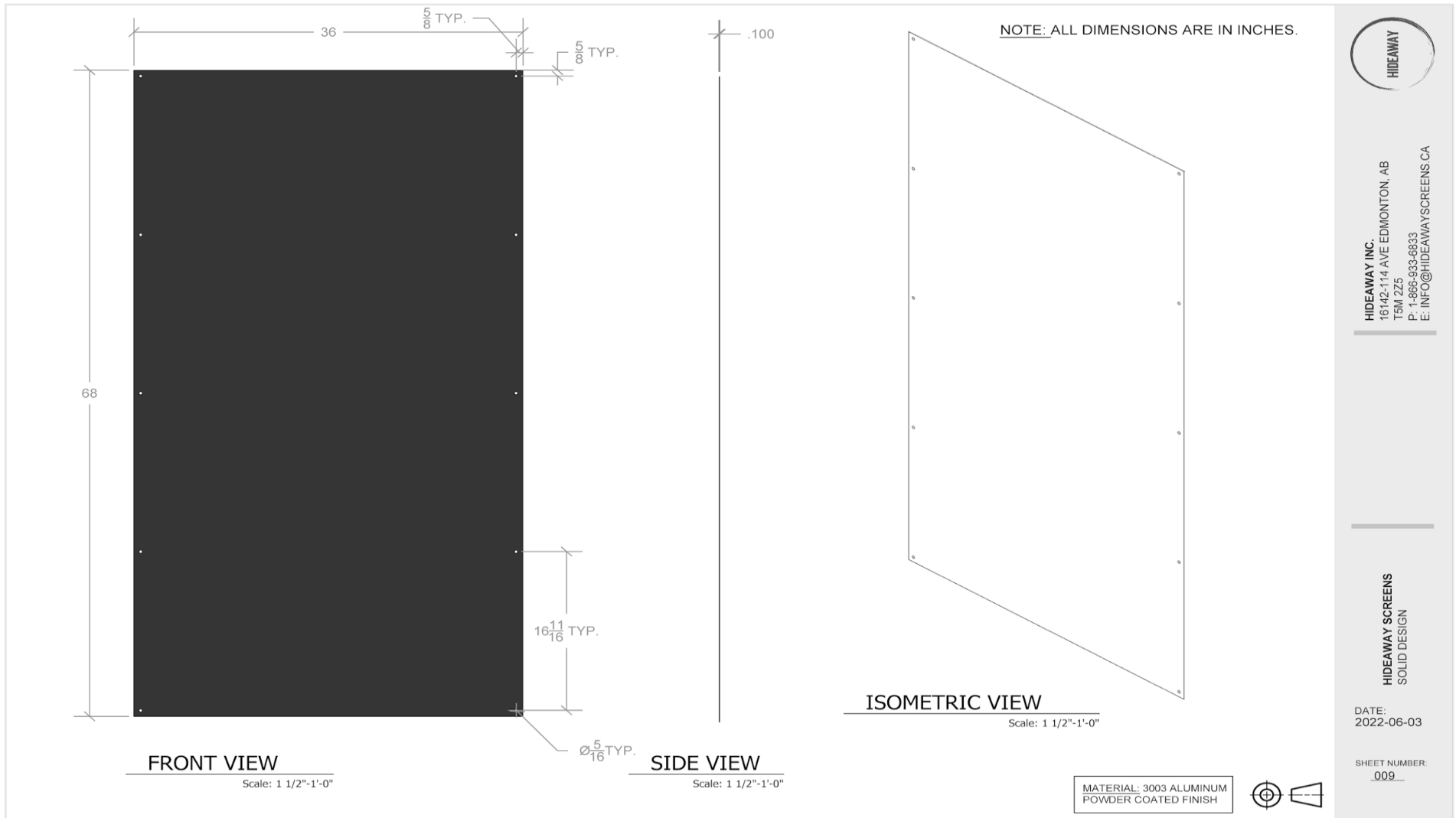
HIDEAWAY SCREENS
 HORIZON DESIGN

DATE:
 2022-06-03

SHEET NUMBER:
 005



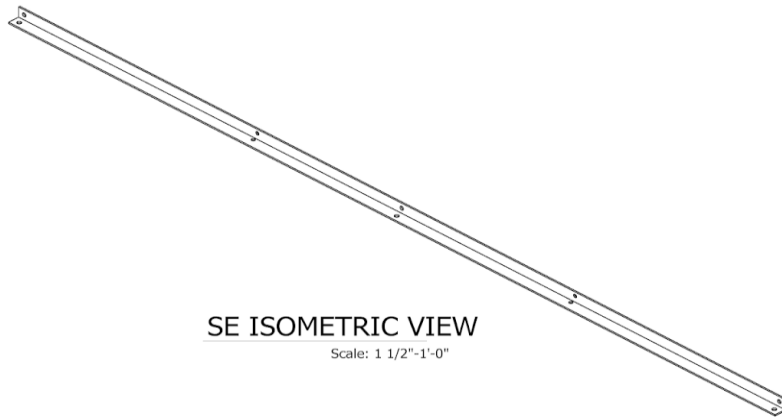
THIS REPORT IS THE CONFIDENTIAL PROPERTY OF THE CLIENT ADDRESSED. THE REPORT MAY ONLY BE REPRODUCED IN FULL. PUBLICATION OF EXTRACTS FROM THIS REPORT IS NOT PERMITTED WITHOUT WRITTEN APPROVAL FROM QAI. ANY LIABILITY ATTACHED THERETO IS LIMITED TO THE FEE CHARGED FOR THE INDIVIDUAL PROJECT FILE REFERENCED. THE RESULTS OF THIS REPORT PERTAIN ONLY TO THE SPECIFIC SAMPLE(S) EVALUATED.



THIS REPORT IS THE CONFIDENTIAL PROPERTY OF THE CLIENT ADDRESSED. THE REPORT MAY ONLY BE REPRODUCED IN FULL. PUBLICATION OF EXTRACTS FROM THIS REPORT IS NOT PERMITTED WITHOUT WRITTEN APPROVAL FROM QAI. ANY LIABILITY ATTACHED THERETO IS LIMITED TO THE FEE CHARGED FOR THE INDIVIDUAL PROJECT FILE REFERENCED. THE RESULTS OF THIS REPORT PERTAIN ONLY TO THE SPECIFIC SAMPLE(S) EVALUATED.



HIDEAWAY INC.
 16142-114 AVE EDMONTON, AB
 T5M 2Z5
 P: 1-566-933-6833
 E: INFO@HIDEAWAYSCREENS.CA

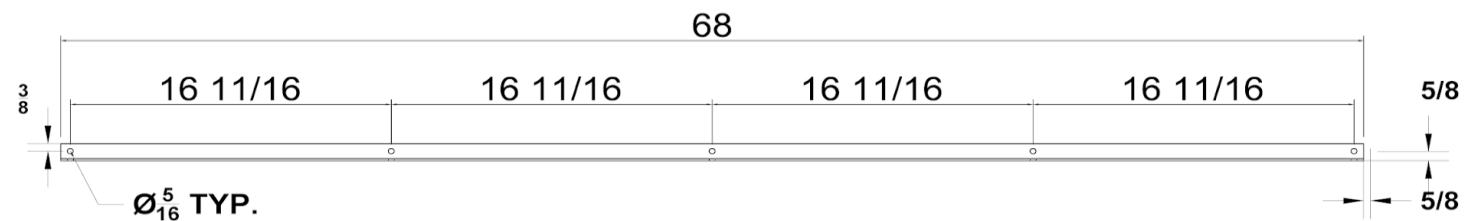


SE ISOMETRIC VIEW
 Scale: 1 1/2"-1'-0"



TOP VIEW

Scale: 1 1/2"-1'-0"



FRONT VIEW

Scale: 1 1/2"-1'-0"

NOTE: ALL DIMENSIONS ARE IN INCHES.

MATERIAL: AL 1100 - 3/32" THK.
 POWDER COATED FINISH

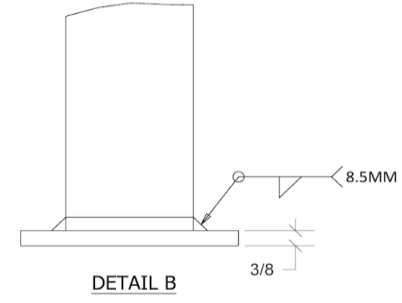
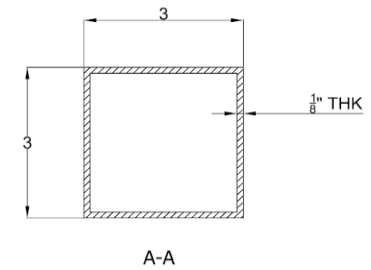
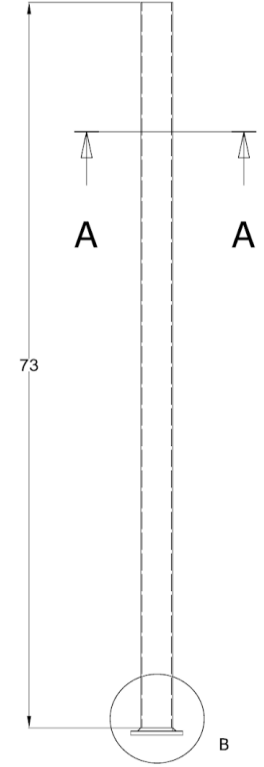
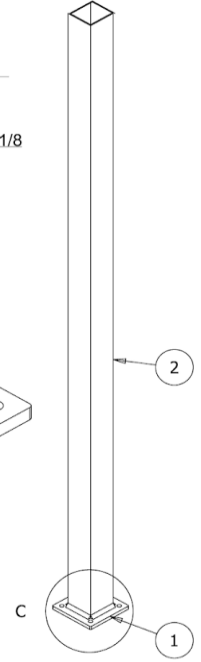
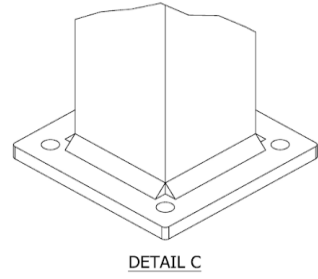
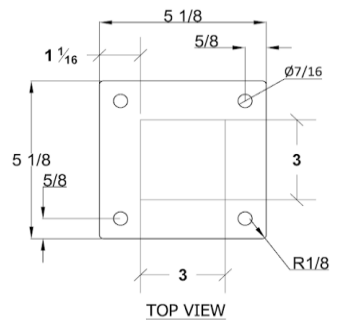


HIDEAWAY SCREENS
 STANDARD MOUNTING
 BRACKET

DATE:
 2022-06-06

SHEET NUMBER:
 010

THIS REPORT IS THE CONFIDENTIAL PROPERTY OF THE CLIENT ADDRESSED. THE REPORT MAY ONLY BE REPRODUCED IN FULL. PUBLICATION OF EXTRACTS FROM THIS REPORT IS NOT PERMITTED WITHOUT WRITTEN APPROVAL FROM QAI. ANY LIABILITY ATTACHED THERETO IS LIMITED TO THE FEE CHARGED FOR THE INDIVIDUAL PROJECT FILE REFERENCED. THE RESULTS OF THIS REPORT PERTAIN ONLY TO THE SPECIFIC SAMPLE(S) EVALUATED.



NOTE: ALL DIMENSIONS ARE IN INCHES.

MATERIAL: 6063-T5
 POWDER COATED FINISH

ITEM	DESCRIPTION
2	Post
1	Base Plate
Parts List	



HIDEAWAY INC.
 16142-114 AVE EDMONTON, AB
 T6M 2T5
 P: 1-866-933-6833
 E: INFO@HIDEAWAYSCREENS.CA

HIDEAWAY SCREENS
 STANDARD 6" MOUNTING
 POST

DATE:
 2022-06-03

SHEET NUMBER:
 .011

THIS REPORT IS THE CONFIDENTIAL PROPERTY OF THE CLIENT ADDRESSED. THE REPORT MAY ONLY BE REPRODUCED IN FULL. PUBLICATION OF EXTRACTS FROM THIS REPORT IS NOT PERMITTED WITHOUT WRITTEN APPROVAL FROM QAI. ANY LIABILITY ATTACHED THERETO IS LIMITED TO THE FEE CHARGED FOR THE INDIVIDUAL PROJECT FILE REFERENCED. THE RESULTS OF THIS REPORT PERTAIN ONLY TO THE SPECIFIC SAMPLE(S) EVALUATED.

4 ACORN NUT
Scale: 1:1

5 MACHINE SCREW
Scale: 1:1

7 SELF DRILLING SCREW
Scale: 1:1

EXPLODED VIEW
Scale: 1"=1'-0"

ISOMETRIC VIEW
Scale: 1 1/2"=1'-0"

ITEM	DESCRIPTION	QTY
9	Post Cap	2
8	Base Skirt	2
7	Self Drilling Screw	10
6	Mounting Bracket	2
5	Machine Screw	10
4	Acorn Nut	10
3	Privacy Screen	1
2	Post	2
1	Base Plate	2

Parts List

HIDEAWAY SCREENS STANDARD ASSEMBLY

DATE: 2022-06-06

SHEET NUMBER: 011

HIDEAWAY INC.
 16142-114 AVE EDMONTON, AB
 T5M 2Z5
 P: 1-866-933-6833
 E: INFO@HIDEAWAYSCREENS.CA

THIS REPORT IS THE CONFIDENTIAL PROPERTY OF THE CLIENT ADDRESSED. THE REPORT MAY ONLY BE REPRODUCED IN FULL. PUBLICATION OF EXTRACTS FROM THIS REPORT IS NOT PERMITTED WITHOUT WRITTEN APPROVAL FROM QAI. ANY LIABILITY ATTACHED THERETO IS LIMITED TO THE FEE CHARGED FOR THE INDIVIDUAL PROJECT FILE REFERENCED. THE RESULTS OF THIS REPORT PERTAIN ONLY TO THE SPECIFIC SAMPLE(S) EVALUATED.