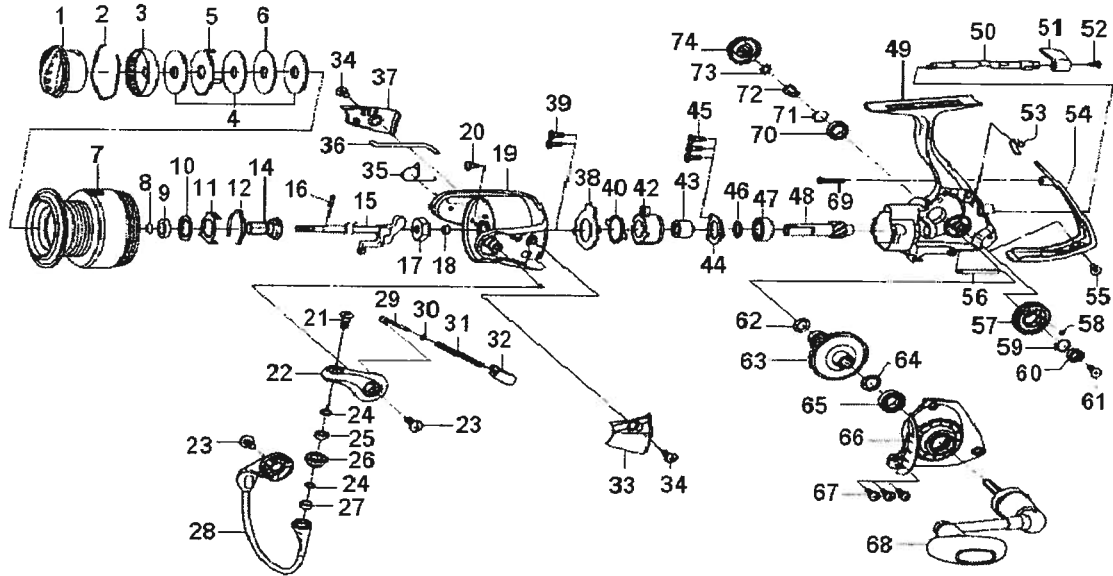


SPINNING REEL

TD TIERRA 2500



Key No.	Parts No.	Parts Name	Key No.	Parts No.	Parts Name
1	G84-8401	DRAG KNOB	38	G61-1201	BEARING RET A
2	F71-0001	DRAG WASHER RET	39	G55-7101	BEARING RET A SCREW
3	F89-5304	DRAG KNOB CLICK PLT	40	G46-5401	CLUTCH CAM RET
4	F69-1001	DRAG WASHER	42	G53-9201	ROLLER CLUTCH
5	F62-7301	EARED WASHER	43	G71-6201	SPACING SLEEVE
6	F62-7201	KEY WASHER	44	G46-7402	BEARING RET B
2-7	G84-7901	SPOOL	45	G55-7101	BEARING RET B SCREW
8	G47-2401	SPOOL RET	46	375-8509	BEARING RET WASHER
9	G72-0401	SPOOL COLLAR	47	G53-5101	BALL BEARING B
10	F62-5500	SPOOL WASHER	48	G69-8901	PINION GEAR
11	G69-3901	CLICK LEAF SPRING HOLDER	49	G84-7601	BODY
12	F70-4901	SPOOL CLICK LEAF SPRING	50	G69-8601	A/R CAM
14	G62-7901	SPOOL METAL	51	G69-9406	A/R LEVER
15	G85-0201	MAIN SHAFT	52	G69-9501	A/R LEVER SCREW
16	G37-5001	PIN	53	G72-6201	A/R CAM SPRING
17	G69-9801	ROTOR NUT	54	G69-9301	REAR COVER
18	G69-9701	ROTOR NUT COLLAR	55	G33-2702	REAR COVER SCREW A
19	G61-2012	ROTOR	56	G61-0802	STABILIZER BAR
20	G62-7701	ROTOR NUT LOCK SCREW	57	G61-0202	OSC GEAR
21	G19-5602	LINE ROLLER SCREW	58	G46-6001	O RING A
22	G61-2312	BAIL ARM	59	G46-6100	OSC GEAR WASHER
23	G20-5001	BAIL ARM SCREW	60	F05-5602	BALL BEARING C
24	F89-7101	LINE ROLLER WASHER	61	F20-6902	OSC GEAR SCREW
25	G28-1601	BALL BEARING A	62	G67-0501	O RING B
26	F92-1601	LINE ROLLER	63	G69-9001	DRIVE GEAR
27	G04-7601	LINE ROLLER COLLAR	64	375-8500	DRIVE GEAR WASHER
28	G61-2701	BAIL	65	G46-7302	BALL BEARING D
29	G47-1801	BAIL SPRING SHAFT	66	G84-7701	SIDE COVER
30	E31-3901	BAIL SPRING WASHER	67	G33-2902	SIDE COVER SCREW
31	G47-1701	BAIL SPRING	68	G84-7801	HANDLE
32	G61-2101	BAIL SPRING HOLDER	69	E11-9602	REAR COVER SCREW B
33	G61-2501	BAIL SPRING COVER	70	F01-6401	BALL BEARING E
34	G27-0801	BAIL SPRING COVER SCREW	71	G47-2401	BALL BEARING RET
35	G61-3101	BAIL TRIP LEVER SPRING	72	F72-1001	HANDLE COLLAR
36	G61-3001	BAIL TRIP LEVER	73	160-8101	LOCK WASHER
37	G61-3201	BAIL TRIP LEVER COVER	74	G70-0201	HANDLE SCREW