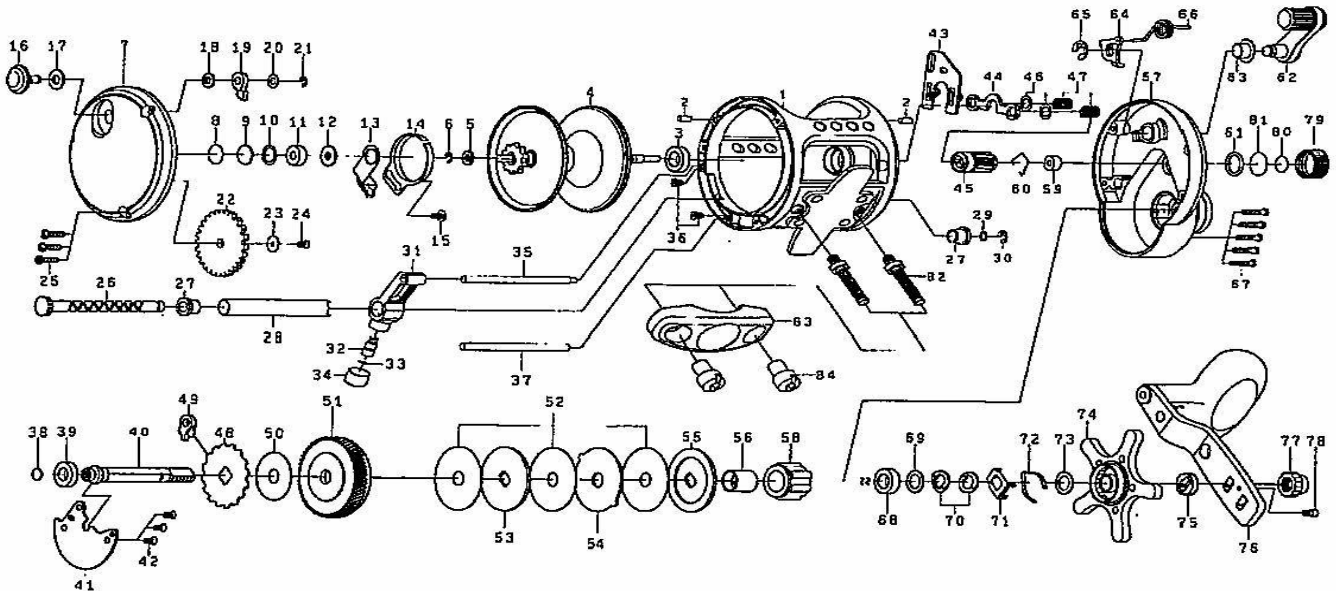


Please order by parts number, not key number
 Veuillez indiquer le numéro de la pièce (Non "Key" No.)



CONVENTIONAL REEL

SALTIST LW40HA · LW50HA



| Key No | Parts No. | Parts Name |
|--------|-----------|----------------------------|
| 1 | E62-7401 | Frame assembly |
| 2 | G21-1701 | Pin |
| 3 | G42-7201 | Ball bearing (A) |
| 4 | E62-7801 | Spool assembly |
| 5 | E62-8201 | Spool gear |
| 6 | 320-1402 | Spool gear retainer |
| 7 | E62-8501 | Left side plate |
| 8 | G27-6300 | Bearing washer (A) |
| 9 | G21-2401 | Bearing washer (B) |
| 10 | F95-6702 | Bearing washer (C) |
| 11 | G42-7701 | Ball bearing (B) |
| 12 | E61-0501 | Bearing washer (D) |
| 13 | E62-8601 | Click spring retainer |
| 14 | E61-0601 | Click spring |
| 15 | 351-7701 | Click spring screw |
| 16 | E63-4201 | Click button |
| 17 | E61-7301 | Click button washer (A) |
| 18 | E61-7401 | Click button washer (B) |
| 19 | E61-1001 | Click pawl |
| 20 | 373-1600 | Click button washer (C) |
| 21 | 320-1402 | Click pawl retainer |
| 22 | E62-8701 | Idle gear |
| 23 | 375-3005 | Idle gear washer |
| 24 | E45-4003 | Idle gear screw |
| 25 | E62-7202 | Left side plate screw |
| 26 | E62-9001 | Worm shaft assembly |
| 27 | E57-3601 | Worm shaft bush |
| 28 | E62-9401 | Level wind guard |
| 29 | E62-9301 | Worm shaft washer |
| 30 | 320-7601 | Worm shaft retainer |
| 31 | E57-3101 | Line guide assembly |
| 32 | E57-4001 | Lino guide pawl |
| 33 | F95-0200 | Line guide washer |
| 34 | E57-4101 | Pawl cap |
| 35 | E62-9901 | Stabilizer bar (A) |
| 36 | 352-0601 | Stabilizer bar screw |
| 37 | E63-0101 | Stabilizer bar (B) |
| 38 | F73-3501 | Drive shaft washer (A) |
| 39 | G27-9601 | Ball bearing (C) |
| 40 | E63-0201 | Drive shaft |
| 41 | G60-3602 | Drive shaft retainer |
| 42 | G21-2901 | Drive shaft retainer screw |
| 43 | E63-4601 | Yoke plate |
| 44 | G60-3802 | Yoke |
| 45 | E61-1301 | Pinion gear |
| 46 | E61-5101 | Yoke washer |
| 47 | F93-5201 | Yoke spring |

| Key No. | Parts No. | Parts Name |
|---------|-----------|--------------------------|
| 48 | G60-3901 | Anti-reverse ratchet |
| 49 | E48-9001 | Anti-reverse pawl |
| 50 | G60-4001 | Drive shaft washer (B) |
| 51 | E61-1401 | Drive gear |
| 52 | E63-0401 | Drag washer |
| 53 | G60-4301 | Key washer (A) |
| 54 | G60-4401 | Eared washer |
| 55 | E63-4501 | Key washer (B) |
| 56 | E61-0701 | Collar |
| 57 | E63-0601 | Right side plate |
| 58 | E63-3301 | Handle metal |
| 59 | E60-8801 | Bushing |
| 60 | F03-2201 | Bushing retainer |
| 61 | B05-5201 | "O" ring |
| 62 | E63-3401 | Clutch lever |
| 63 | G60-5201 | Clutch lever collar |
| 64 | E61-7601 | Clutch cam |
| 65 | 320-7601 | Clutch cam retainer |
| 66 | E61-1101 | Clutch cam spring |
| 67 | E63-4301 | Right side plate screw |
| 68 | G52-3403 | Ball bearing (D) |
| 69 | E60-8901 | Bearing washer (E) |
| 70 | E25-3501 | Drag spring washer |
| 71 | G58-8601 | Click leaf spring holder |
| 72 | F03-2401 | Click leaf spring |
| 73 | G69-4201 | Washer |
| 74 | E63-3701 | Star drag |
| 75 | E60-6101 | Spacing sleeve |
| 76 | E63-0801 | Handle assembly |
| 77 | G22-0301 | Handle nut |
| 78 | G21-8201 | Handle nut screw |
| 79 | E61-0901 | Cast control cap |
| 80 | B17-5503 | Spacer(A) |
| 81 | 375-7501 | Spacer (B) |
| 82 | E62-4501 | Clamp bolt |
| 83 | E62-4401 | Rod clamp |
| 84 | E62-6101 | Clamp nut |

SALTIST LW50HA SPECIAL PARTS

| Key No. | Parts No. | Parts Name |
|---------|-----------|---------------------|
| 1 | E63-1801 | Frame assembly |
| 4 | E63-2001 | Spool assembly |
| 26 | E63-2301 | Worm shaft assembly |
| 28 | E63-2501 | Level wind guard |
| 35 | E63-2601 | Stabilizer bar (A) |
| 37 | E63-2701 | Stabilizer bar (B) |
| 57 | E63-2901 | Right side plate |