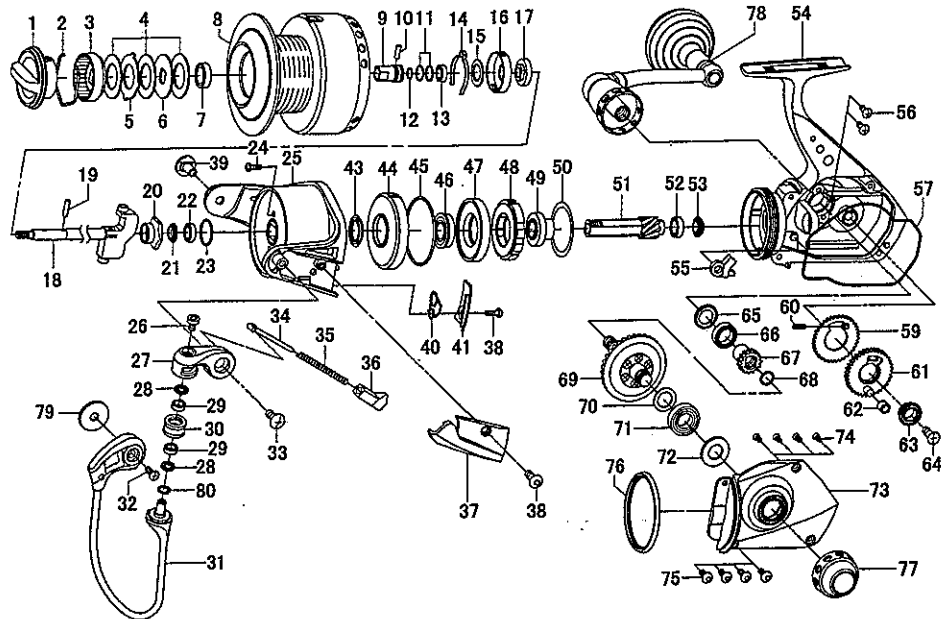


SALTIGA S-EXTREME 4500H MAVERICK



Key No.	Parts No.	Parts Name	Key No.	Parts No.	Parts Name
1	6H395301	Drag knob	40	6G160701	Rotor brake spring
2	6F710001	Drag washer retainer	41	6G160906	Rotor brake spring cover
3	6G165602	Drag knob click plate	43	6G162301	Packing (C)
4	6H247202	Drag washer	44	6G158701	Roller clutch cover
5	6G165902	Eared washer	45	6G158601	"O" ring (D)
6	6G162702	Key washer	46	6G158501	Ball bearing (E)
7	6E453901	Ball bearing (A)	47	6G158201	Collar (B)
2-8	6H395101	Spool assembly	48	6F765401	Roller clutch
9	6G163101	Spool metal (A)	49	6G158401	Spacing sleeve
10	6G224101	Pin (A)	50	6G158101	Washer (A)
11	6G163201	"O" ring (A)	51	6G591601	Pinion gear
12	6G163001	"O" ring (B)	52	6G522702	Ball bearing (F)
13	6B358601	Ball bearing (B)	53	6G158001	Collar (C)
14	6B747701	Spool click leaf spring	54	6H394801	Body assembly
15	6F137500	Spool washer	55	6G159301	Anti-reverse pawl
16	6E122301	Click leaf spring holder	56	6G169701	Screw (F)
17	6G162901	Spool metal (B)	57	6G160001	Packing (D)
18	6G157703	Main shaft	59	6G591501	Oscillating gear (A)
19	6G162801	Pin (B)	60	6G157401	Oscillating gear spring
20	6G162601	Rotor nut	61	6G591401	Oscillating gear (B)
21	6G162501	Packing (A)	62	6G157601	Collar (E)
22	6F055601	Ball bearing (C)	63	6G157501	Ball bearing (G)
23	6G162401	"O" ring (C)	64	6B703401	Screw (G)
24	6E492001	Screw (A)	65	6G156701	Packing (E)
25	6G160306	Rotor	66	6G156801	Ball bearing (H)
26	6G162201	Screw (B)	67	6G252301	Idle gear
27	6G160605	Bail arm	68	6G252201	"O" ring (E)
28	6G162001	Packing (B)	69	6G591701	Drive gear
29	6F844901	Ball bearing (D)	70	63712800	Washer (B)
30	6G162101	Line roller	71	6F240001	Ball bearing (I)
31	6G161102	Bail assembly	72	6G159801	Packing (F)
32	63516105	Screw (C)	73	6G159710	Side cover
33	63521106	Screw (D)	74	6G159901	Screw (H)
34	6G017503	Bail spring shaft	75	6G160101	Screw (I)
35	6G160401	Bail spring	76	6G160201	Brake ring
36	6G160501	Bail spring holder	77	6H074602	Handle screw cap
37	6G160801	Bail spring cover	78	6H395001	Handle assembly
38	6G161001	Screw (E)	79	6G224001	Washer (C)
39	6G161801	Bail holder nut	80	6E096500	Washer (D)