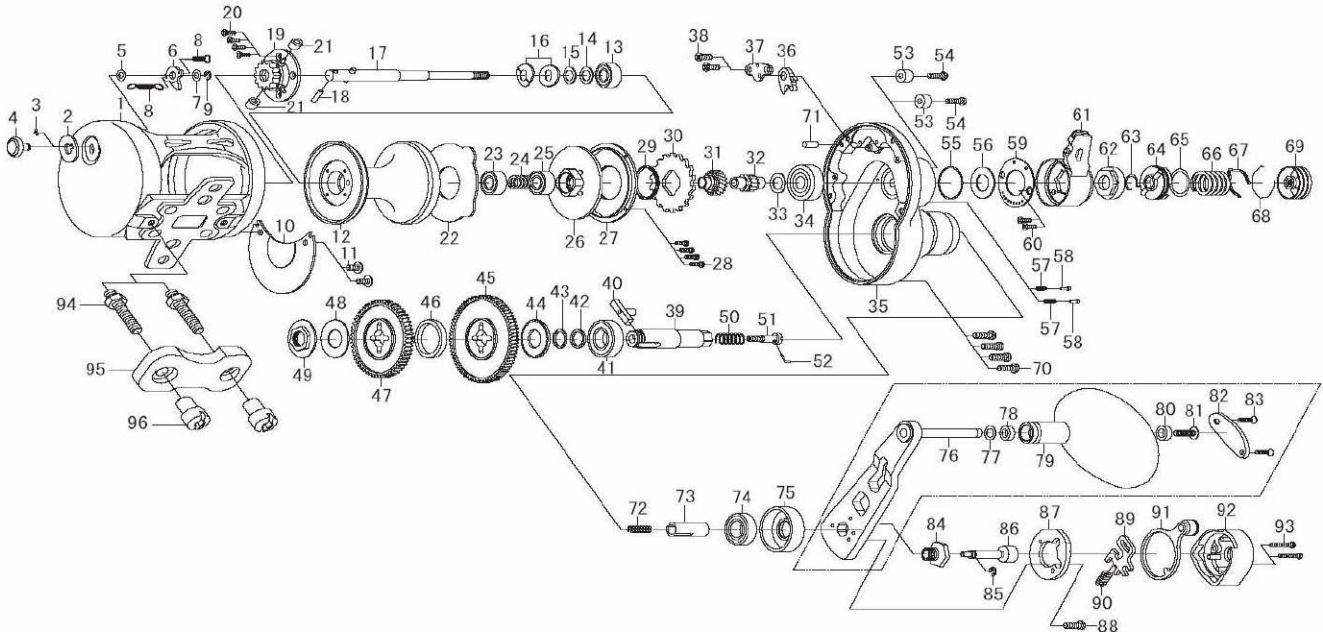




Please order by parts number, not key number
Veuillez indiquer le numéro de la pièce (Non "Key" No.)

CONVENTIONAL REEL **SALTIGA LD35-2SPEED/ LD40-2SPEED/LD50-2SPEED**



Key No.	Parts No.	Parts Name
1	H56-2201	Frame
2	H42-0301	Click plate
3	H42-0401	Click spring (A)
4	H48-5901	Click button
5	F09-4802	Click button washer
6	H55-8601	Click pawl
7	373-1600	Washer (A)
8	H55-8701	Click spring (B)
9	320-1402	Click pawl retainer
10	H42-0702	Frame plate
11	F50-5703	Screw (A)
12	H56-2501	Spool
13	H42-8701	Ball bearing (A)
14	375-8503	Washer (A)
15	375-8500	Washer (B)
16	H51-3101	Drag spring washer
17	H56-2601	Main shaft
18	G32-2701	Drive shaft pin (A)
19	H55-9201	Drive click cap
20	G29-7003	Screw (B)
21	H60-9201	Brake collar
22	H55-8901	Drag washer
23	G53-6001	Ball hearing (B)
24	H55-9301	Spring (A)
25	G62-6301	Ball bearing (C)
26	H56-2801	Drag plate
27	H55-9801	Cover
28	H17-6801	Screw (C)
29	H55-9601	Packing
30	H42-3401	Drag ratchet
31	H42-2801	Pinion gear (A)
32	H56-0101	Pinion gear (B)
33	375-8500	Washer (C)
34	E17-5802	Ball hearing (D)
35	H55-9908	Right side plate
36	E48-9001	Drag pawl
37	H42-3501	Drag pawl retainer
38	G31-8503	Screw (D)
39	H56-0001	Drive shaft
40	H42-1901	Drive shaft pin (B)
41	F64-1602	Ball bearing (E)
42	G20-5505	Washer (D)
43	G20-5500	Washer (E)
44	H42-2301	Drive gear collar (A)
45	H42-2401	Drive gear (A)
46	H42-2501	Drive gear collar (B)
47	H42-2601	Drive gear (B)
48	H42-2301	Drive gear collar (C)
49	H42-2701	Drive shaft nut
50	H52-8401	Drive shaft spring (A)
51	H42-2101	Drive shaft screw
52	H31-6602	Drive shaft pin (C)
53	H42-3901	Collar (A)

Key No.	Parts No.	Parts Name
54	351-7801	Screw (E)
55	H11-4401	"O" ring (A)
56	H42-3801	Washer (F)
57	H53-0901	Spring (B)
58	H53-0801	Pin (A)
59	H56-0501	Drag lever plate
60	G31-8503	Screw (F)
61	H56-0201	Drag lever
62	H56-0601	Pre-set cam (A)
63	H56-0701	Ring (A)
64	H42-4701	Pre-set cam (B)
65	171-1001	O' ring (B)
66	H48-4801	Drag knob spring
67	F03-2401	Click leaf spring
68	170-7701	Ring (B)
69	H56-0801	Pre-set drag knob
70	G47-3704	Screw (G)
71	G21-1701	Pin (B)
72	H49-2801	Drive shaft spring (B)
73	H42-2201	Collar (B)
74	G52-2801	Ball bearing (F)
75	H56-1001	Collar (C)
76-83	H56-1101	Handle assembly
84	H42-5901	Handle screw (A)
85	320-5901	Retainer
86	H56-1901	Handle button
87	H42-6101	Handle cap (A)
88	350-8912	Screw (H)
89	H42-6301	Plate
90	H42-6201	Spring (C)
91	H42-6401	Handle lever
92	H56-2101	Handle cap (B)
93	G04-0815	Handle screw (B)
94	H60-0701	Clamp bolt
95	H60-0601	Rod clamp
96	H60-0801	Clamp nut

Special Parts for SALTIGA LD40-2SPEED

Key No.	Parts No.	Parts Name
1	H55-8101	Frame
12	H55-8801	Spool
17	H55-9001	Main shaft
26	H55-9401	Drag plate
35	H55-9907	Right side plate
94	H60-0702	Clamp bolt

Special Parts for SALTIGA LD50-2SPEED

Key No.	Parts No.	Parts Name
1	H56-3001	Frame
12	H56-3301	Spool
17	H56-3401	Main shaft
26	H55-9401	Drag plate
35	H55-9909	Right side plate
94	H60-0702	Clamp bolt