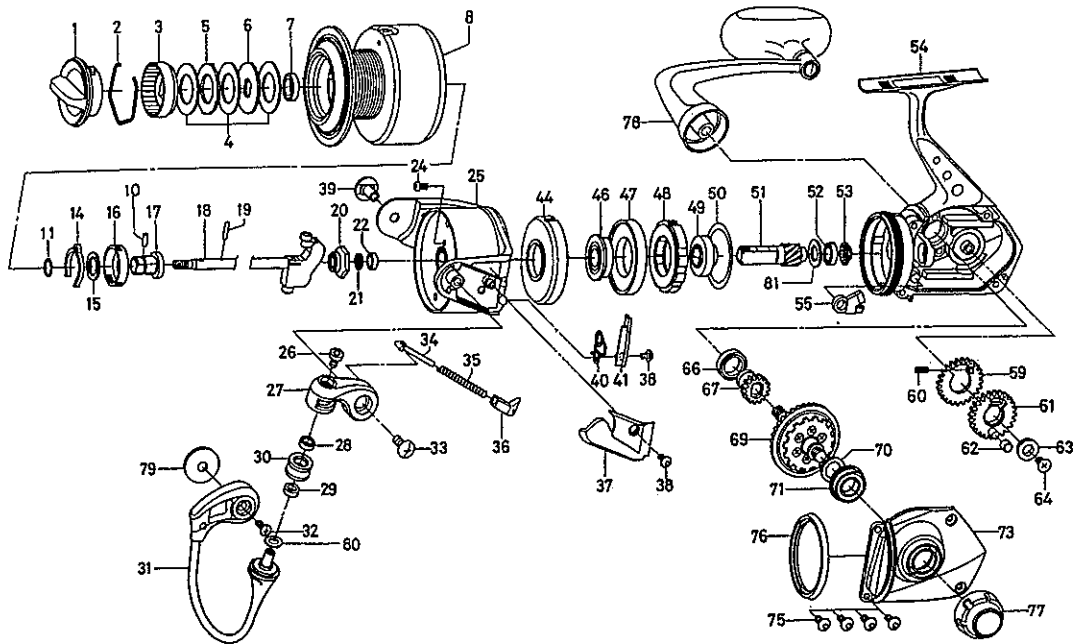


SPINNING REEL

SALTIGA blast 4000 / 4500



Key No.	Parts No.	Parts Name
1	6G204901	Drag knob
2	6F710001	Drag washer retainer
3	6G165601	Drag knob click plate
4	6G165801	Drag washer
5	6G165901	Eared washer
6	6G162701	Key washer
7	6E453901	Ball bearing (A)
2 - 8	6G204601	Spool assembly
10	6G224101	Pin (A)
11	6G163201	"O"ring
14	6B747701	Spool click leaf spring
15	6F137501	Spool washer
16	6E122301	Click leaf spring holder
17	6G203801	Spool metal
18	6G157702	Main shaft
19	6G162801	Pin (B)
20	6G162601	Rotor nut
21	6G162501	Washer (A)
22	6F055601	Ball bearing (B)
24	6E492001	Screw (A)
25	6G160302	Rotor
26	6G162201	Line roller screw
27	6G160602	Bail arm
28	6F844901	Ball bearing (G)
29	6F473401	Line roller collar
30	6G203701	Line roller
31	6G203601	Bail assembly
32	63516105	Screw (B)
33	63521106	Bail arm screw
34	6G017503	Bail spring shaft
35	6G160401	Bail spring
36	6G160501	Bail spring holder
37	6G160801	Bail spring cover
38	6G161001	Bail spring cover screw
39	6G161802	Bail holder nut
40	6G160701	Rotor brake spring
41	6G160902	Rotor brake spring cover
44	6G158701	Roller clutch cover
46	6G158501	Ball bearing (C)
47	6G158201	Collar
48	6F765401	Roller clutch
49	6G158401	Spacing sleeve
50	6G158101	Washer (B)
51	6G158302	Pinion gear
52	6F016401	Ball bearing (D)
53	6G158001	Pinion collar
54	6G156402	Body assembly
55	6G159301	Anti-reverse pawl
59	6G157301	Oscillating gear (A)
60	6G157401	Oscillating gear spring
61	6G157201	Oscillating gear (B)
62	6G157601	Oscillating gear collar (A)
63	6G203201	Oscillating gear collar (B)
64	6B703401	Screw (C)
66	6G156801	Ball bearing (E)
67	6G156901	Idle gear
69	6G203301	Drive gear
70	63712800	Washer (C)
71	6F240001	Ball bearing (F)
73	6G159702	Side cover
75	6G160101	Side cover screw
76	6G160201	Brake ring
77	6G204301	Handle screw cap
78	6G203901	Handle assembly
79	6G224001	Bail holder washer
80	6E096500	Washer (D)
81	63758502	Washer (E)

SALTIGA blast 4500 SPECIAL PARTS

2 - 8	6G204401	Spool assembly
-------	----------	----------------