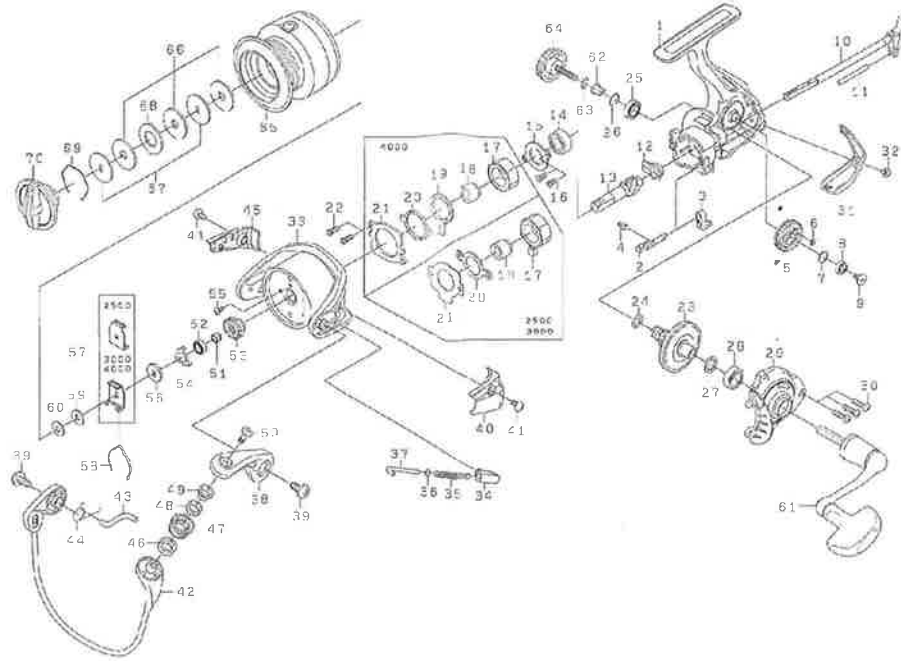




SPINNING REEL

# EXCELER-Z 2500/3000/4000

Please order by parts number, not key number  
Veuillez indiquer le numéro de la pièce (Non "Key" No.)



Key No.	EXCELER-Z 2500 Parts No.	Parts Name	Désignation des pièces	EXCELER-Z 3000 Parts No.	EXCELER-Z 4000 Parts No.
1	6H593601	Body	Bâti	6H593601	6H594601
2	6H463101	Anti-Reverse Cam	Camne du cliquet anti-retour	6H463101	6H508301
3	6H463205	Anti-Reverse Lever	Commande de l'anti-retour	6H463205	6H463205
4	6H463301	Anti-Reverse Cam Spring	Ressort de came du cliquet anti-retour	6H463301	6H463301
5	6H489801	Oscillating Gear	Roue d'oscillation	6H489801	6H508401
6	6G466001	"O" Ring (A)	Anneau torique (A)	6G466001	6B853101
7	6G466100	Washer (A)	Rondelle (A)	6G466100	6G522100
8	6G430901	Ball Bearing (A)	Roulement à billes (A)	6G430901	6G467101
9	6H463401	Screw (A)	Vis (A)	6H463401	6H463401
10	6H463501	Main Shaft	Axe principal	6H466201	6H508501
11	6H463701	Stabilizer Bar	Entretoise	6H463701	6H508801
12	6H463801	Collar (A)	Collier (A)	6H463801	6H508901
13	6H491202	Pinion Gear	Pignon	6H491202	6H509002
14	6G535101	Ball Bearing (B)	Roulement à billes (B)	6G535101	6G522801
15	6H463901	Bearing Retainer (A)	Rondelle de retenue du roulement à billes (A)	6H463901	6H509101
16	6H624901	Screw (B)	Vis (B)	6H624901	6H624901
17	6G539201	Roller Clutch	Roulement à aiguilles	6G539201	6G314501
18	6H624701	Spacing Sleeve	Manchon	6H624701	6G743002
19	-	Clutch Cam	Came d'embrayage	-	6F641401
20	6H161801	Clutch Cam Retainer	Verru de came d'embrayage	6H161801	6F641501
21	6H464001	Roller Clutch Retainer	Clips disque embrayage	6H464001	6H515001
22	6G837101	Screw (C)	Vis (C)	6G837101	6G837101
23	6H491301	Drive Gear	Roue de commande	6H491301	6H509201
24	6G670501	"O" Ring (B)	Anneau torique (B)	6G670501	6G645301
25	6G522701	Ball Bearing (C)	Roulement à billes (C)	6G522701	6G431001
26	6G472401	Bearing Retainer (B)	Rondelle de retenue du roulement à billes (B)	6G472401	6G525101
27	63758500	Washer (B)	Rondelle (B)	63758500	63737800
28	6G467301	Ball Bearing (D)	Roulement à billes (D)	6G467301	6G427202
29	6H593701	Side Cover	Couvercle	6H593701	6H594701
30	6G115001	Screw (D)	Vis (D)	6G115001	6G115001
31	6H464301	Rear Cover	Couvercle arrière	6H464301	6H509501
32	6G270801	Screw (E)	Vis (E)	6G270801	6G270801
33	6H464404	Rotor	Cloche	6H466503	6H509603
34	6H496701	Bail Spring Holder	Support ressort de pick-up	6H496701	6H509701
35	6G471701	Ball Spring	Ressort de pick-up	6G471701	6G646201
36	6E313901	Washer (C)	Rondelle (C)	6E313901	6E313901
37	6G471805	Bail Spring Shaft	Axe de ressort de pick-up	6G471805	6G298201
38	6H464505	Bail Arm	Bras de pick-up	6H464505	6H464505
39	6G205001	Screw (F)	Vis (F)	6G205001	6G205001
40	6H496801	Cover (A)	Couvercle (A)	6H497001	6H509801
41	6G270801	Screw (G)	Vis (G)	6G270801	6G270801
42	6H464601	Bail Assembly	Ensemble Arceau du pick-up	6H466601	6H509901
43	6G613001	Ball Trip Lever	Levier de déclenchement	6G628601	6G646501
44	6G613101	Ball Trip Lever Spring	Ressort du levier de déclenchement	6G613101	6G613101
45	6H496901	Cover (B)	Couvercle (B)	6H497101	6H510101
46	6G047601	Collar (B)	Collier (B)	6G047601	6G047601
47	6F921601	Line Roller	Galet de pick-up	6F921601	6F921601
48	6G220701	Collar (C)	Collier (C)	6G220701	6G220701
49	6G195501	Collar (D)	Collier (D)	6G195501	6G195501
50	6G195602	Screw (H)	Vis (H)	6G195602	6G195602
51	6G613501	Collar (E)	Collier (E)	6G613501	6G646701
52	6G430901	Ball Bearing (E)	Roulement à billes (E)	6G430901	6G467101
53	6G471301	Rotor Nut	Ecrin de cloche	6G471301	6G524701
54	6G471501	Bearing Retainer (C)	Rondelle de retenue du roulement à billes (C)	6G471501	6G524801
55	6G627701	Screw (I)	Vis (I)	6G627701	6G627701
56	6E246101	Washer (D)	Rondelle (D)	6E246101	6E246101
57	6G700001	Click Leaf Spring Holder	Support de ressort de réglage du cliquet	6G700001	6G743901
58	6H570801	Spool Click Leaf Spring	Ressort de réglage de bobine	6H570801	6F709002
59	6E467101	Washer (E)	Rondelle (E)	6E467101	6E467101
60	6E398000	Washer (F)	Rondelle (F)	6E398000	6E398000
61	6H593801	Handle Assembly	Manivelle	6H593801	6H599901
62	6F721001	Collar (F)	Collier (F)	6F721001	6F721202
63	61608101	Washer (G)	Rondelle (G)	61608101	61608101
64	6H465501	Handle Screw	Vis de manivelle	6H465501	6H510901
65-69	6H593901	Spool Assembly	Bobine complète	6H594301	6H600001
66	6E136001	Drag Washer	Rondelle de frein	6E136001	6E136001
67	6E467201	Key Washer	Rondelle fixe	6E467201	6E467201
68	63733606	Eared Washer	Rondelle à oreilles	63733606	63733606
69	6F373301	Drag Washer Retainer	Clips de rondelle de frein	6F373301	6F373301
70	6H594201	Drag Knob	Bouton de réglage du frein	6H594201	6H594201
65-69	6H593901	Spool Assembly (Extra Spool)	Bobine complète (Bobine extra)	6H594301	6H600001