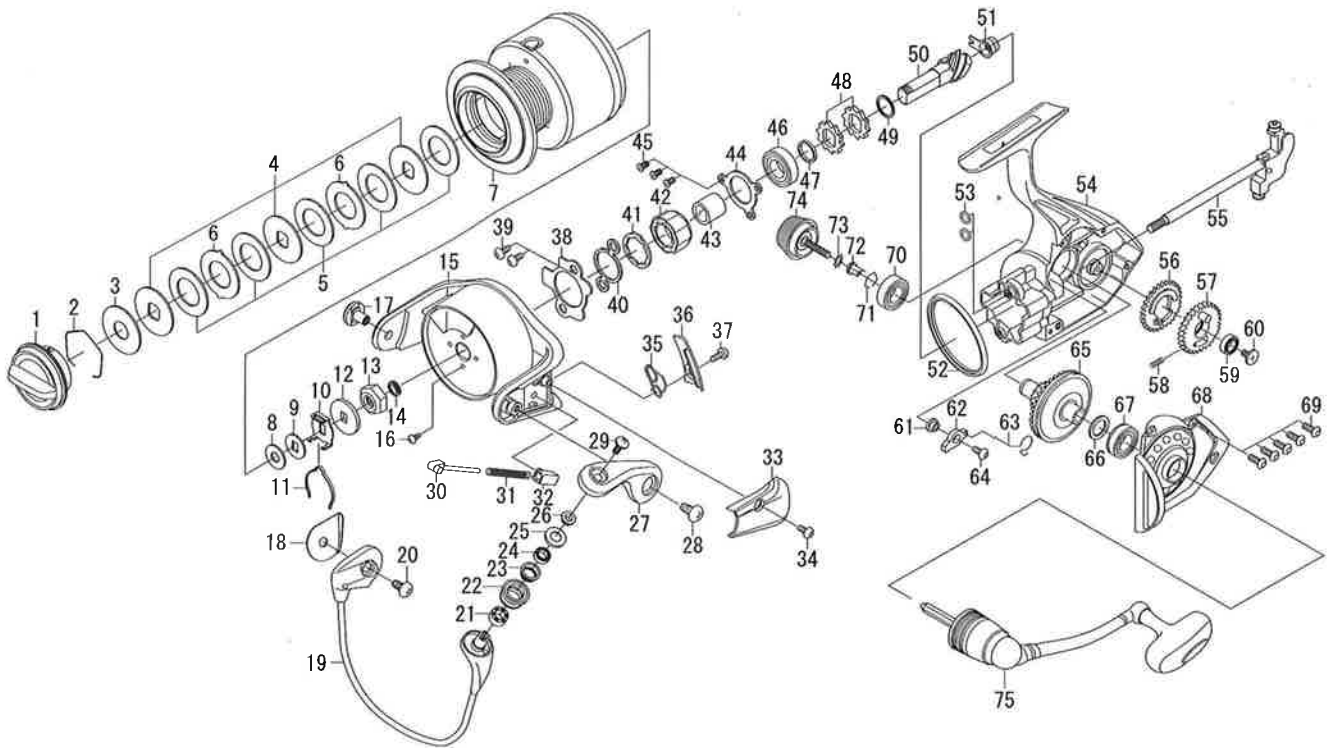


EXCELER 6500DA



Key No.	Parts No.	Parts Name	Key No.	Parts No.	Parts Name
1	6H467501	Drag Knob	39	63516101	Screw (G)
2	6F884001	Drag Washer Retainer	40	6H244001	Clutch Cam Retainer
3	6H380901	Drag Washer (A)	41	6H247601	Clutch Cam
4	6H175101	Key Washer	42	6G314501	Roller Clutch
5	6F755504	Drag Washer (B)	43	6H172703	Spacing Sleeve
6	6G700701	Eared Washer	44	6H244501	Bearing Retainer (A)
2-7	6H467801	Spool Assembly	45	6G557101	Screw (H)
8	6F050100	Spool Washer (A)	46	6G426301	Ball Bearing (B)
9	6F050002	Spool Washer (B)	47	6H243901	Collar (E)
10	6H323701	Click Leaf Spring Holder	48	6E262701	Ratchet
11	6G341401	Spool Click Leaf Spring	49	6E339701	Washer (A)
12	6F049901	Spool Washer (C)	50	6H323601	Pinion Gear
13	6H428801	Rotor Nut	51	6H323501	Collar (F)
14	6H050101	Collar (A)	52	6G337101	Brake Ring
15	6H324404	Rotor	53	6G167201	Washer (B)
16	6E492001	Screw (A)	54	6H467601	Body Assembly
17	6H325001	Bail Holder Nut	55	6H476001	Main Shaft
18	6H324801	Plate	56	6H323101	Oscillating Gear (A)
19	6H365301	Bail Assembly	57	6H323001	Oscillating Gear (B)
20	63516105	Screw (B)	58	6G157401	Oscillating Gear Spring
21	6H035502	Collar (B)	59	6B861704	Ball Bearing (C)
22	6H246101	Line Roller	60	6H347101	Screw (I)
23	6G740601	Collar (C)	61	6H243301	Collar (G)
24	6G370905	Ball Bearing (A)	62	6H339401	Anti-Reverse Pawl
25	6G740501	Packing	63	6H244401	Spring
26	6H271201	Collar (D)	64	63516401	Screw (J)
27	6H339603	Bail Arm	65	6H324101	Drive Gear
28	63521106	Screw (C)	66	63712800	Washer (C)
29	6F608901	Screw (D)	67	6F240001	Ball Bearing (D)
30	6H324701	Bail Spring Shaft	68	6H467701	Side Cover
31	6G418101	Bail Spring	69	6G160101	Screw (K)
32	6G337501	Bail Spring Holder	70	6G522802	Ball Bearing (E)
33	6H325401	Bail Spring Cover	71	6H047201	Bearing Retainer (B)
34	63522510	Screw (E)	72	6F409001	Collar (H)
35	6G337601	Rotor Brake Spring	73	61608101	Washer (D)
36	6H324901	Rotor Brake Spring Cover	74	6H051301	Handle Screw
37	63522510	Screw (F)	75	6H475701	Handle Assembly
38	6H244202	Roller Clutch Retainer			