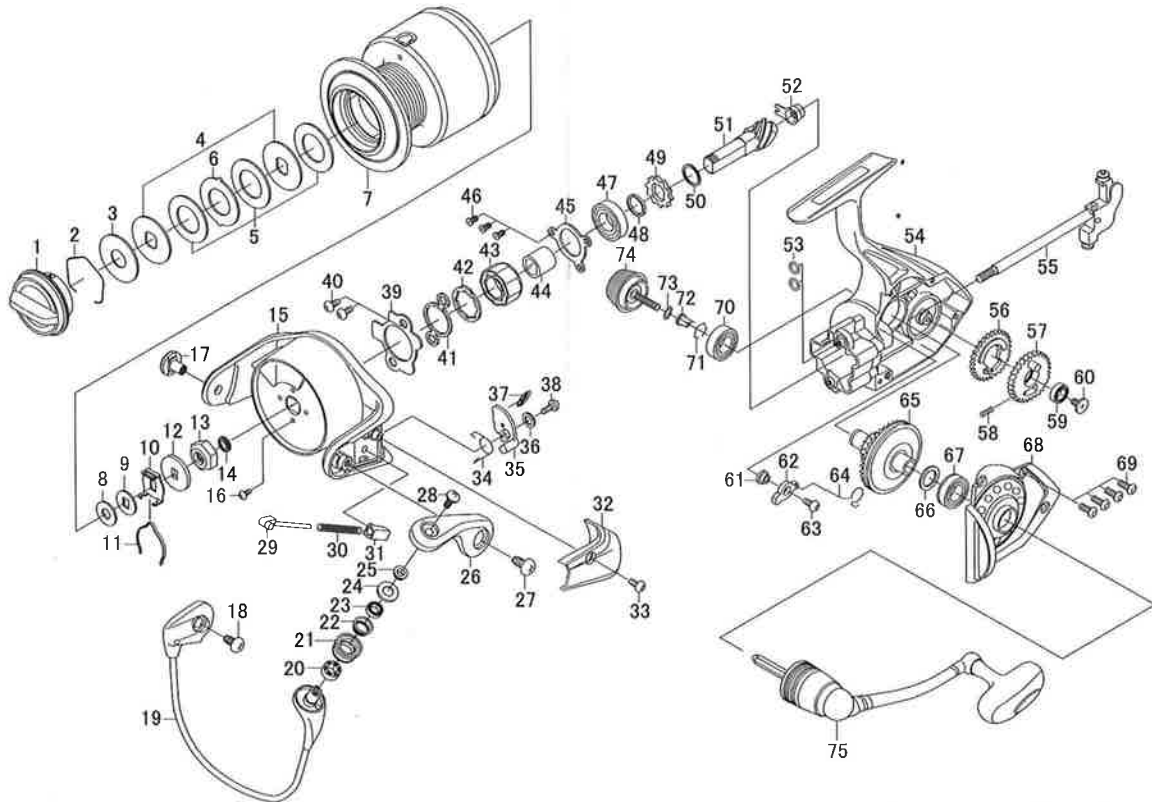


EXCELER 4500DA



Key No.	Parts No.	Parts Name	Key No.	Parts No.	Parts Name
1	6H467501	Drag Knob	39	6H244202	Roller Clutch Retainer
2	6F884001	Drag Washer Retainer	40	63516101	Screw (G)
3	6H380901	Drag Washer (A)	41	6H244001	Clutch Cam Retainer
4	6H175101	Key Washer	42	6H247601	Clutch Cam
5	6F691001	Drag Washer (B)	43	6G314501	Roller Clutch
6	6G700701	Eared Washer	44	6H172703	Spacing Sleeve
2-7	6H467301	Spool Assembly	45	6H244501	Bearing Retainer (A)
8	6F050100	Spool Washer (A)	46	6G557101	Screw (H)
9	6F050002	Spool Washer (B)	47	6G426301	Ball Bearing (B)
10	6H309501	Click Leaf Spring Holder	48	6H243901	Collar (E)
11	6B747701	Spool Click Leaf Spring	49	6E262701	Ratchet
12	6F049901	Spool Washer (C)	50	6E339701	Washer (B)
13	6H309401	Rotor Nut	51	6H243801	Pinion Gear
14	6G751201	Collar (A)	52	6H243701	Collar (F)
15	6H245003	Rotor	53	6G167201	Washer (C)
16	6G627701	Screw (A)	54	6H467101	Body Assembly
17	6H245602	Bail Holder Nut	55	6H475901	Main Shaft
18	63516105	Screw (B)	56	6H243101	Oscillating Gear (A)
19	6H245702	Bail Assembly	57	6H243001	Oscillating Gear (B)
20	6H035502	Collar (B)	58	6G157401	Oscillating Gear Spring
21	6H246101	Line Roller	59	6G467102	Ball Bearing (C)
22	6G740601	Collar (C)	60	6H272201	Screw (I)
23	6G370905	Ball Bearing (A)	61	6H243301	Collar (G)
24	6G740501	Packing	62	6H243201	Anti-Reverse Pawl
25	6H271201	Collar (D)	63	63516401	Screw (J)
26	6H245403	Bail Arm	64	6H244401	Spring
27	6G455601	Screw (C)	65	6H244302	Drive Gear
28	6F608901	Screw (D)	66	63712800	Washer (D)
29	6H245301	Bail Spring Shaft	67	6F240001	Ball Bearing (D)
30	6H345301	Bail Spring	68	6H467201	Side Cover
31	6H270501	Bail Spring Holder	69	6G160101	Screw (K)
32	6H245502	Bail Spring Cover	70	6G522802	Ball Bearing (E)
33	6G205101	Screw (E)	71	6H047201	Bearing Retainer (B)
34	6H264401	Bail Trip Lever Spring	72	6F409001	Collar (H)
35	6H245901	Bail Trip Lever	73	61608101	Washer (F)
36	63753000	Washer (A)	74	6H051301	Handle Screw
37	6G194301	Brake Shoe	75	6H475501	Handle Assembly
38	6G193701	Screw (F)			