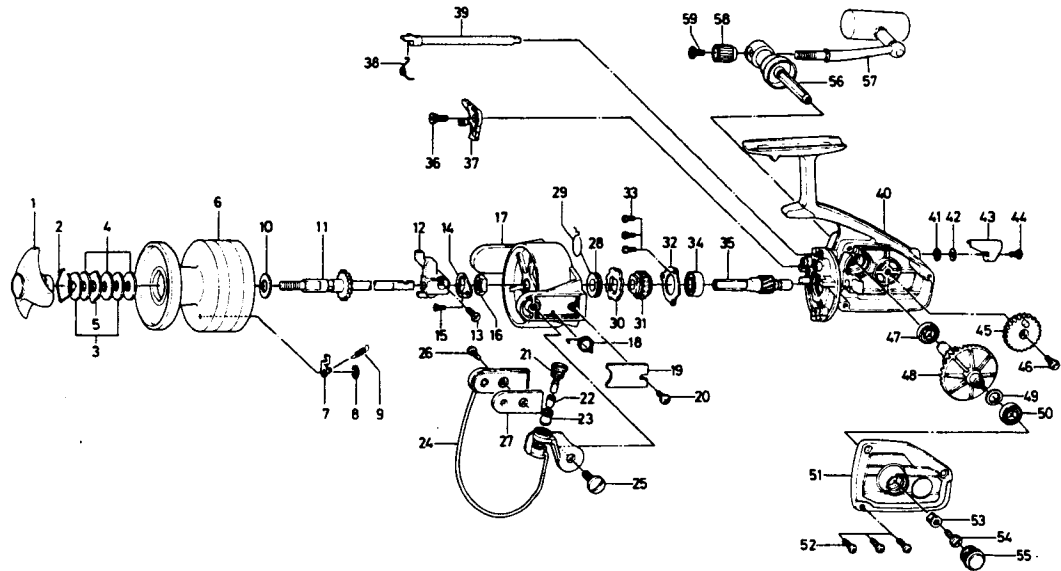


SPINNING REEL

BLACK GOLD BG-90



Key No.	Parts No.	Parts Name	Key No.	Parts No.	Parts Name
1	6-003-1805	Drag knob	31	6-B28-6601	Click gear
2	6-170-4101	Drag washer retainer	32	6-320-9501	Ball bearing ret. washer
3	6-372-3711	Drag D washer	33	6-351-6601	Ball bearing ret. washer screw
4	6-372-3003	Disc. washer	34	6-637-6101	Ball bearing
5	6-372-3832	Drag A washer	35	6-B37-9701	Pinion
6	6-733-1706	Spool	36	6-B27-2801	Anti-reverse claw screw
7	6-B07-8201	Spool click claw	37	6-B28-6701	Anti-reverse claw
8	6-320-1402	Spool click claw retainer	38	6-144-0321	Anti-reverse cam spring
9	6-145-2101	Spool click claw spring	39	6-461-5103	Anti-reverse cam
10	6-372-9601	Spool washer	40	6-B31-9502	Body
11	6-711-2213	Main shaft	41	6-372-9911	Anti-reverse lever washer A
12	6-480-7601	Oscillating slider	42	6-373-2700	Anti-reverse lever washer B
13	6-351-9001	Oscillating slider screw	43	6-540-5801	Anti-reverse lever
14	6-B02-1601	Rotor retaining plate	44	6-351-1801	Anti-reverse lever screw
15	6-351-7701	Rotor retaining plate screw	45	6-750-0411	Oscillating gear
16	6-340-8301	Rotor nut	46	6-361-9011	Oscillating gear screw
17	6-B37-8203	Rotor	47	6-636-6011	Ball bearing
18	6-145-0001	Bail spring	48	6-413-5821	Drive gear
19	6-633-1312	Bail spring cover	49	6-371-2800	Drive gear washer
20	6-361-6101	Bail spring cover screw	50	6-636-6011	Ball bearing
21	6-780-9101	Bail screw	51	6-B31-9701	Body cover
22	6-B40-5501	Roller metal	52	6-351-8801	Body cover screw
23	6-B40-5401	Line roller	53	6-501-8401	Handle screw holder
24	6-003-2002	Bail	54	6-363-8611	Handle screw
25	6-361-7011	Arm lever screw	55	6-363-4702	Handle screw cap
26	6-351-6101	Bail holder screw	56	6-747-2503	Handle stand
27	6-210-2901	Balancer	57	6-B38-0301	Handle arm
28	6-B27-2601	Spring holder	58	6-342-3102	Handle arm ret. nut
29	6-B27-2901	Anti-reverse claw spring	59	6-353-9101	Handle arm ret. nut screw
30	6-280-6702	Ratchet			

Sold as one unit
 Spool assembly
 6-733-1604

Sold as one unit
 Handle assembly
 6-B38-0201