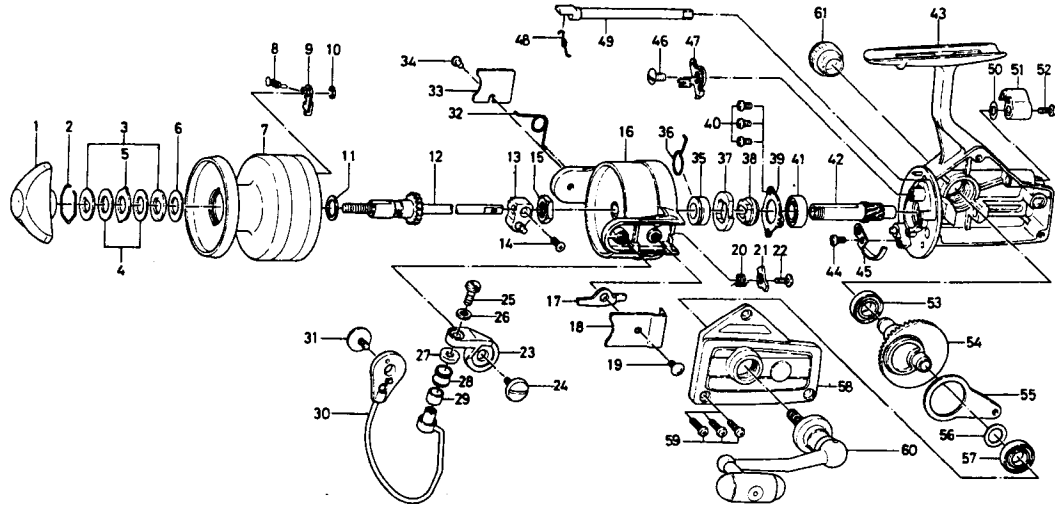


SPINNING REEL

**BLACK GOLD BG-30**



Key No.	Parts No.	Parts Name
1	6-740-4501	Drag knob
2	6-171-7701	Drag washer retainer
3	6-376-4001	Drag D washer
4	6-375-7802	Disc washer
5	6-375-8002	Drag A washer
6	6-375-7803	Drag washer A
7	6-734-7803	Spool
8	6-145-2101	Spool click claw spring
9	6-B07-8201	Spool click claw
10	6-320-1402	Spool click claw retainer
11	6-376-3901	Spool washer
12	6-711-5702	Main shaft
13	6-637-3001	Oscillating support
14	6-351-8901	Oscillating slider screw
15	6-B10-5701	Rotor nut
16	6-202-1802	Rotor
17	6-571-1001	Bail kick lever
18	6-B14-1802	Bail kick lever cover
19	6-351-7701	Bail kick lever cover screw
20	6-145-0701	Bail kick cam spring
21	6-571-1301	Bail kick cam
22	6-351-4701	Bail kick cam screw
23	6-231-3501	Arm lever
24	6-363-5201	Arm lever screw
25	6-363-3111	Bail screw
26	6-375-1101	Bail washer
27	6-501-2001	Roller collar
28	6-250-4501	Line roller
29	6-502-1401	Roller metal
30	6-725-8802	Bail
31	6-363-5201	Bail holder screw

Key No.	Parts No.	Parts Name
32	6-145-2001	Bail spring
33	6-041-8802	Bail spring cover
34	6-351-6101	Bail spring cover screw
35	6-502-1301	Spring holder
36	6-145-2901	Anti-reverse claw spring
37	6-280-9501	Ratchet
38	6-636-6711	Click gear
39	6-636-9901	Ball bearing ret. washer
40	6-351-6601	Ball bearing ret. washer screw
41	6-635-4801	Ball bearing
42	6-403-2801	Pinion gear
43	6-B31-8802	Body
44	6-351-6601	Cam kick plate screw
45	6-B22-9901	Cam kick plate
46	6-352-1102	Anti-reverse claw screw
47	6-B33-5601	Anti-reverse claw
48	6-144-0321	Anti-reverse cam spring
49	6-B15-6403	Anti-reverse cam
50	6-373-2700	Anti-reverse lever washer
51	6-541-7301	Anti-reverse lever
52	6-352-2501	Anti-reverse lever screw
53	6-636-6011	Ball bearing
54	6-414-2302	Drive gear
55	6-481-2401	Oscillating slider
56	6-371-2800	Drive gear washer
57	6-636-6011	Ball bearing
58	6-B31-9902	Body cover
59	6-351-5901	Body cover screw
60	6-B36-8501	Handle
61	6-363-4701	Handle screw cap