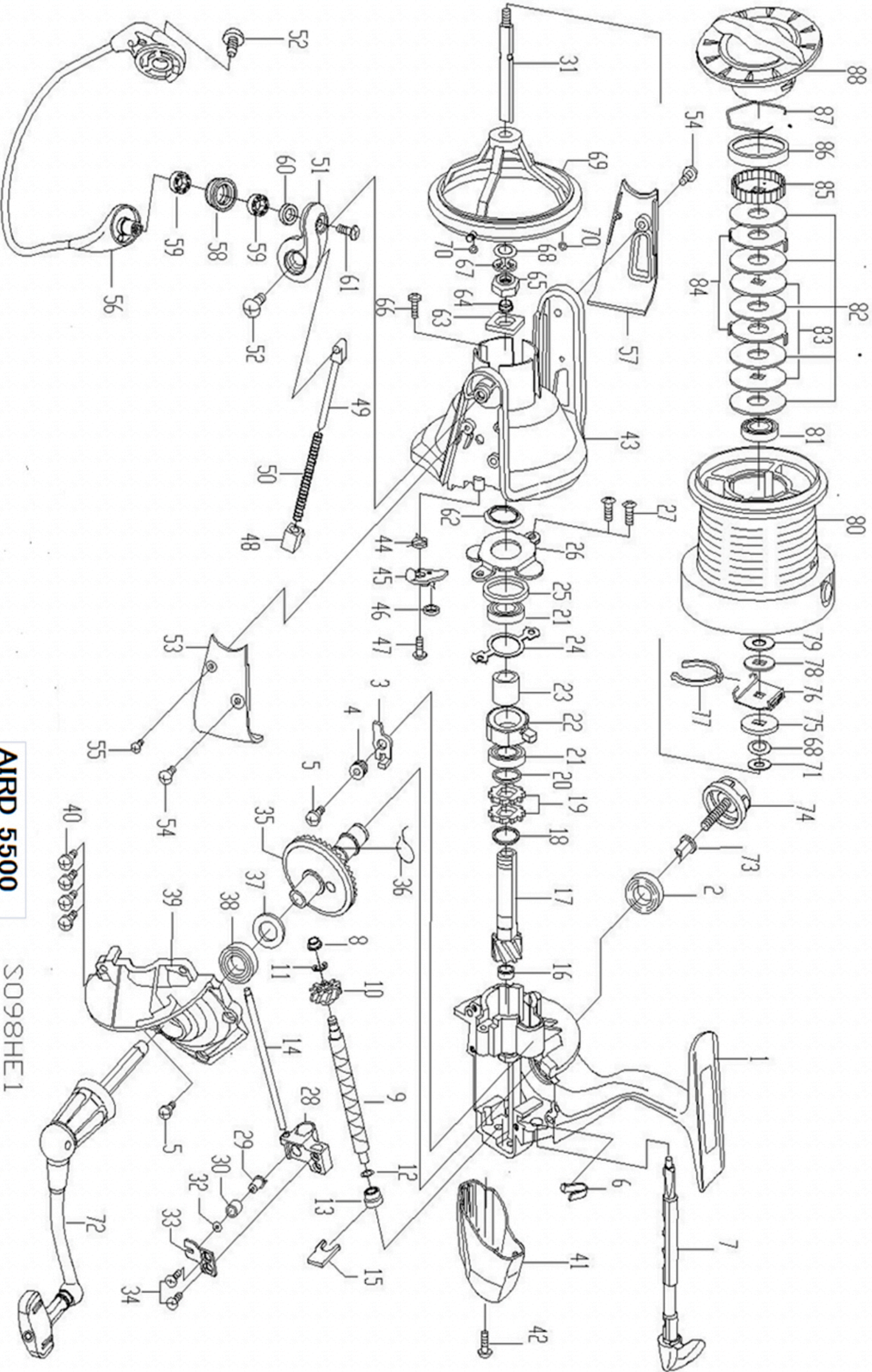




AIRD 5500

Feel Alive.

Please quote by part number, not key number when ordering.
spares@daiwaaustralia.com.au PH: (02) 8644 8644



AIRD 5500

S098HE1

REEL NAME	MGFT CODE	KEY NO	PARTS CODE	DESCRIPTION
AIRD 5500	S098HE1	1	6Q110501	BODY
AIRD 5500	S098HE1	2	6G156801	BALL BEARING (A)
AIRD 5500	S098HE1	3	6H354301	ANTI-REVERSE PAWL
AIRD 5500	S098HE1	4	6H354401	COLLAR (A)
AIRD 5500	S098HE1	5	6B008601	SCREW (A)
AIRD 5500	S098HE1	6	6Q059001	ANTI-REVERSE CAM SPRING
AIRD 5500	S098HE1	7	6Q036701	ANTI-REVERSE CAM LEVER
AIRD 5500	S098HE1	8	6H354701	COLLAR (B)
AIRD 5500	S098HE1	9	6H359901	WORM SHAFT
AIRD 5500	S098HE1	10	6H409001	WORM SHAFT GEAR
AIRD 5500	S098HE1	11	63205901	WORM SHAFT RETAINER (A)
AIRD 5500	S098HE1	12	6B411700	WASHER (A)
AIRD 5500	S098HE1	13	6H354801	COLLAR (C)
AIRD 5500	S098HE1	14	6H354901	STABILIZER BAR
AIRD 5500	S098HE1	15	6H355001	WORM SHAFT RETAINER (B)
AIRD 5500	S098HE1	16	6G400401	COLLAR (D)
AIRD 5500	S098HE1	17	6H408901	PINION GEAR
AIRD 5500	S098HE1	18	6E339701	WASHER (B)
AIRD 5500	S098HE1	19	6G176702	RATCHET
AIRD 5500	S098HE1	20	6Q059201	WASHER (C)
AIRD 5500	S098HE1	21	6B546003	BALL BEARING (B)
AIRD 5500	S098HE1	22	6G845601	ROLLER CLUTCH
AIRD 5500	S098HE1	23	6H355201	SPACING SLEEVE
AIRD 5500	S098HE1	24	6H355301	CLUTCH CAM RETAINER
AIRD 5500	S098HE1	25	6Q059101	COLLAR (E)
AIRD 5500	S098HE1	26	6H355501	BEARING RETAINER
AIRD 5500	S098HE1	27	6L001801	SCREW (B)
AIRD 5500	S098HE1	28	6H355601	OSCILLATING SLIDER
AIRD 5500	S098HE1	29	6H355701	OSCILLATING PAWL
AIRD 5500	S098HE1	30	6H355801	COLLAR (F)
AIRD 5500	S098HE1	31	6H497401	MAIN SHAFT
AIRD 5500	S098HE1	32	63750800	WASHER (D)
AIRD 5500	S098HE1	33	6H356001	OSCILLATING SLIDER COVER
AIRD 5500	S098HE1	34	63521505	SCREW (C)
AIRD 5500	S098HE1	35	6H408701	DRIVE GEAR
AIRD 5500	S098HE1	36	6H356201	ANTI-REVERSE PAWL SPRING
AIRD 5500	S098HE1	37	6B270700	WASHER (E)
AIRD 5500	S098HE1	38	6G426302	BALL BEARING (C)
AIRD 5500	S098HE1	39	6Q110601	SIDE COVER
AIRD 5500	S098HE1	40	6G410701	SCREW (D)
AIRD 5500	S098HE1	41	6Q037502	REAR COVER
AIRD 5500	S098HE1	42	6G270801	SCREW (E)
AIRD 5500	S098HE1	43	6Q037606	ROTOR
AIRD 5500	S098HE1	44	6Q048801	BAIL TRIP LEVER SPRING
AIRD 5500	S098HE1	45	6Q037701	BAIL TRIP LEVER
AIRD 5500	S098HE1	46	6G194301	BRAKE SHOE
AIRD 5500	S098HE1	47	6G193701	SCREW (F)
AIRD 5500	S098HE1	48	6Q038001	BAIL SPRING HOLDER
AIRD 5500	S098HE1	49	6Q038101	BAIL SPRING SHAFT
AIRD 5500	S098HE1	50	6Q058901	BAIL SPRING
AIRD 5500	S098HE1	51	6Q038206	BAIL ARM
AIRD 5500	S098HE1	52	6G455601	SCREW (G)
AIRD 5500	S098HE1	53	6Q044002	COVER (A)
AIRD 5500	S098HE1	54	6G205101	SCREW (H)
AIRD 5500	S098HE1	55	6G455701	SCREW (I)
AIRD 5500	S098HE1	56	6Q047701	BAIL ASSEMBLY
AIRD 5500	S098HE1	57	6Q044102	COVER (B)
AIRD 5500	S098HE1	58	6G740402	LINE ROLLER
AIRD 5500	S098HE1	59	6H194701	BEARING
AIRD 5500	S098HE1	60	6H049901	COLLAR (G)
AIRD 5500	S098HE1	61	6E454007	SCREW (J)
AIRD 5500	S098HE1	62	6H446101	PACKING
AIRD 5500	S098HE1	63	6G392201	PLATE
AIRD 5500	S098HE1	64	6H357401	COLLAR (H)
AIRD 5500	S098HE1	65	6H050001	ROTOR NUT
AIRD 5500	S098HE1	66	6G171402	SCREW (K)
AIRD 5500	S098HE1	67	63201611	RETAINER
AIRD 5500	S098HE1	68	6G878201	SPRING WASHER
AIRD 5500	S098HE1	69	6Q038802	LINE GUARD
AIRD 5500	S098HE1	70	6Q066601	O-RING
AIRD 5500	S098HE1	71	6G408301	WASHER (F)
AIRD 5500	S098HE1	72	6Q047901	HANDLE ASSEMBLY
AIRD 5500	S098HE1	73	6F409001	COLLAR (I)
AIRD 5500	S098HE1	74	6H477501	HANDLE SCREW
AIRD 5500	S098HE1	75	6E267501	WASHER (G)
AIRD 5500	S098HE1	76	6H050601	CAP
AIRD 5500	S098HE1	77	6F704902	SPOOL CLICK LEAF SPRING
AIRD 5500	S098HE1	78	6F043402	WASHER (H)
AIRD 5500	S098HE1	79	6E399200	WASHER (I)
AIRD 5500	S098HE1	80-87	6Q110701	SPOOL ASSEMBLY
AIRD 5500	S098HE1	81	6G467102	BALL BEARING (D)
AIRD 5500	S098HE1	82	6Q065301	DRAG WASHER
AIRD 5500	S098HE1	83	6F881702	KEY WASHER
AIRD 5500	S098HE1	84	6F755701	EARED WASHER
AIRD 5500	S098HE1	85	6G421401	DRAG RATCHET
AIRD 5500	S098HE1	86	6H496501	COLLAR(J)
AIRD 5500	S098HE1	87	6F884001	DRAG WASHER RETAINER
AIRD 5500	S098HE1	88	6Q111001	DRAG KNOB
AIRD 5500	S098HE1	89	6G823802	WASHER (J)